

Scanned by ChrisGrossman.com  
This document is provided free of charge.

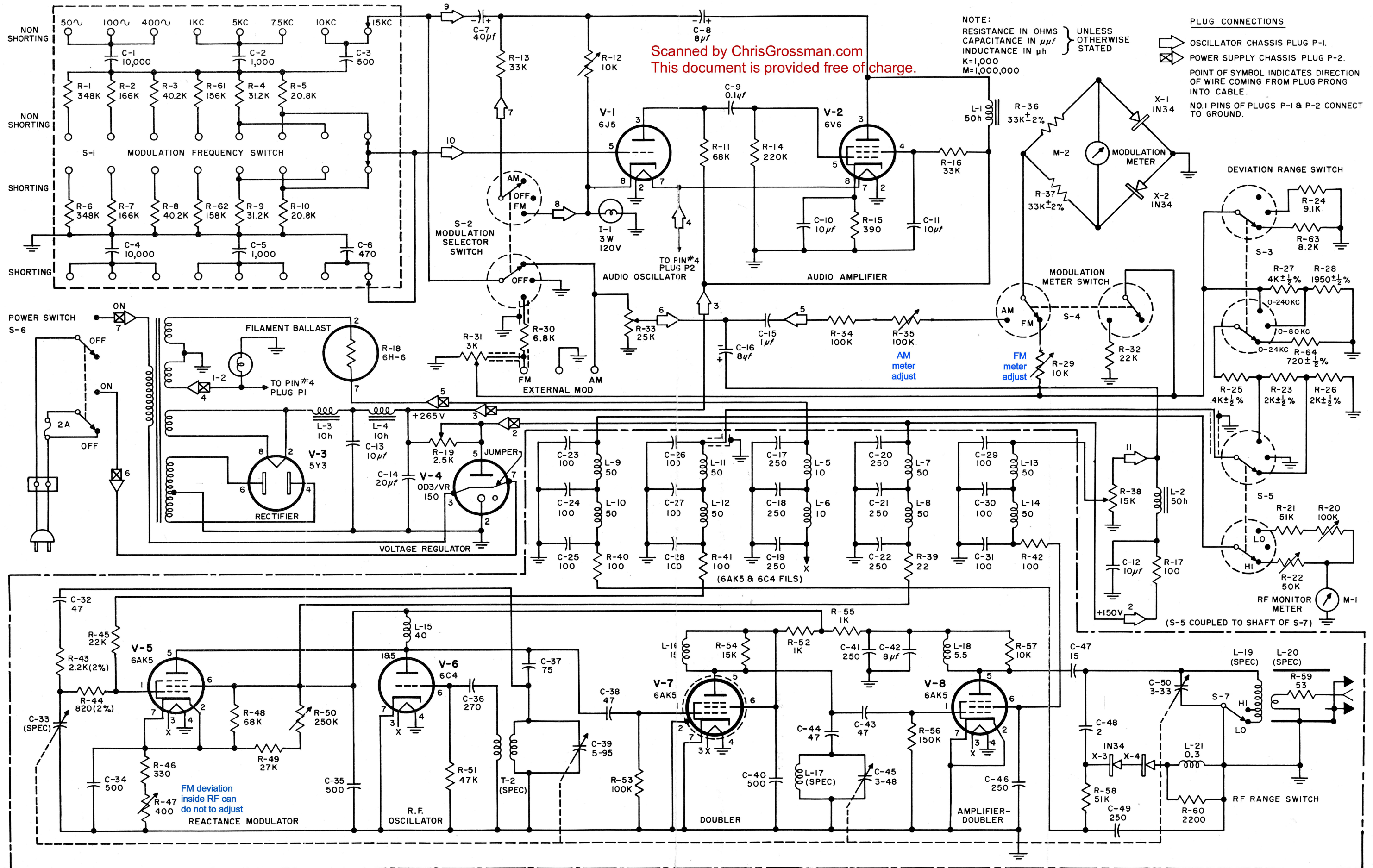


Fig. 8. Schematic Wiring Diagram of 202-B FM Signal Generator