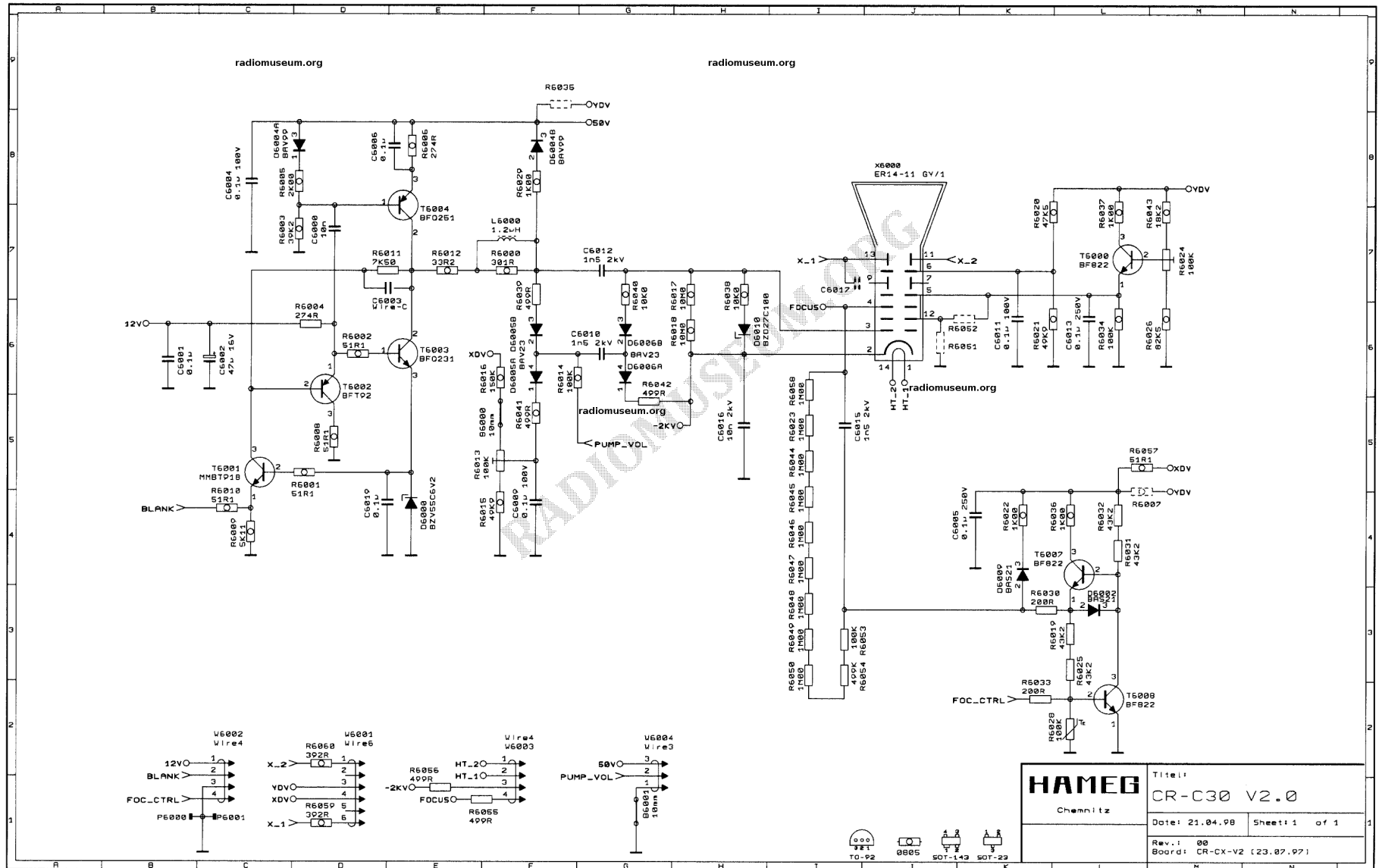


Subject to change without notice

25



CRT board - Diagram