

the TURNER co.
Cedar Rapids, Iowa

model

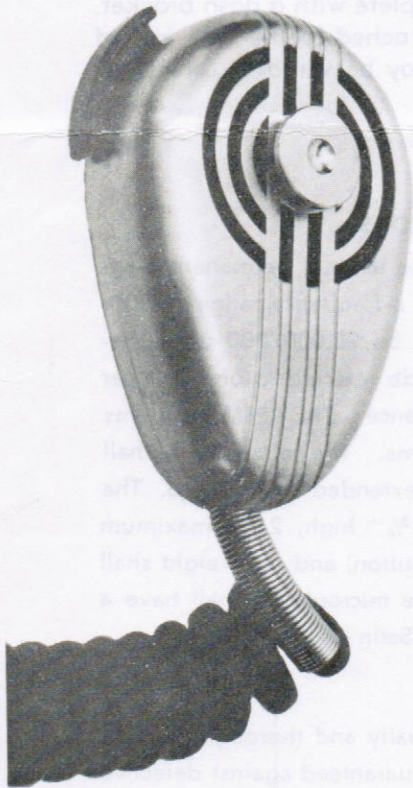
specifications

SR90D microphone

Turner SR90D

specifications

Figure 1
Model SR90D Microphone



GENERAL:

The Model SR90D is an attractive **versatile** pressure operated Dynamic microphone. Ideal for any Mobile Rig. Designed to fit your hand comfortably. Engineered for maximum response to voice. The Zinc Alloy case is finished in Satin Chrome for everlasting good looks.

APPLICATIONS:

The Turner Model SR90D is especially adapted to outdoor P.A., Mobile installations, Paging and any other operation requiring a rugged microphone with a Coiled Kord.

SPECIFICATIONS:

TYPE:	Pressure operated dynamic.
IMPEDANCE:	The Model SR90D is available in either hi impedance (25,000) ohms or 200 ohms.
CABLE:	11" Retracted—5' extended Coiled Kord—3 conductor/1 shielded for hi impedance; 4 conductor/2 shielded for 200 ohms.
SWITCH:	Double-pole single-throw leaf type switches—both normally open—to control the microphone circuit and to control an external relay or switching circuit (See figs. 3, 4.)
FREQUENCY RESPONSE:	200-10,000 c.p.s.
OUTPUT LEVEL:	Db re 1.0 mw/10 dynes/cm ² —48 db at hi-impedance. Retma (GM) —146 db at 200 ohm.
CASE:	Die cast Zinc Alloy.
FINISH:	Brushed Satin Chrome.
MOUNTING:	Furnished with bracket for wall or dash mounting.
DIMENSIONS:	3 3/4" high x 2 1/2" maximum width x 1 1/2" deep including hanger button.
WEIGHT:	1 lb. 6 oz. including Coiled Kord.

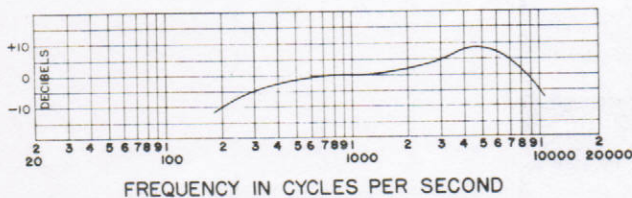


Figure 2—Response Curve



the **TURNER** company
Cedar Rapids, Iowa, U. S. A.

TURNER model SR90D microphone specifications

INSTALLATION:

The microphone is furnished complete with a dash bracket. An MC4M connector may be attached to the free end of the cable, although the cable may be wired in directly if desired.

ARCHITECT-ENGINEERS SPECIFICATIONS:

The microphone shall be of the close talking, permanent magnet, moving coil dynamic type with a frequency range of 200-10,000 c.p.s. The impedance shall be 25,000/200 ohms (select one) and the output level -48 db referred to one volt per dyne square centimeter at hi impedance. The RETMA systems rating shall be -146 db at 200 ohms. The microphone shall be furnished with 11" retracted, 5' extended Koiled Kord. The microphone dimensions shall be 3 3/4" high, 2 1/2" maximum width, 1 1/2" deep (including dash button) and the weight shall be 1 lb. 6 oz. including Kord. The microphone shall have a die cast zinc alloy case finished in Satin Chrome.

GUARANTEE:

All Turner microphones are individually and thoroughly tested before leaving the factory and are guaranteed against defective materials and workmanship for one year, providing that instructions are fully complied with and that units are not opened or tampered with in any way.

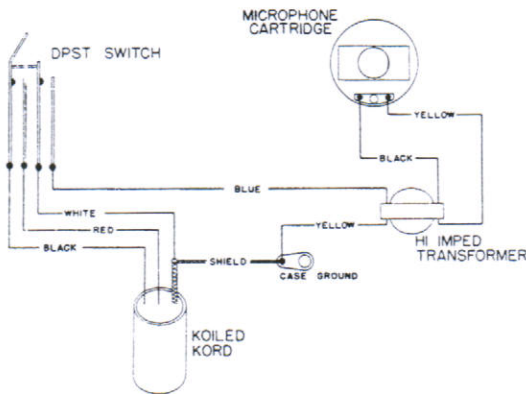


Figure 3 Model SR90D-5
Switching Schematic DPST Hi-impedance

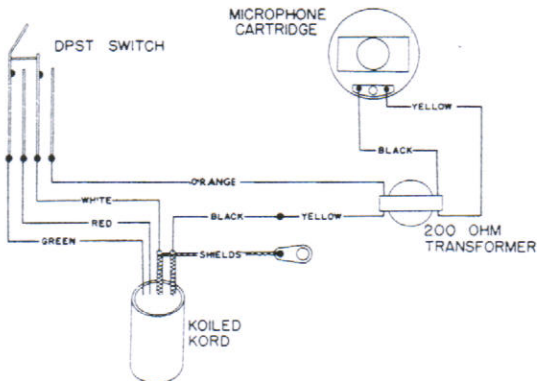


Figure 4 Model SR90D-6
Switching Schematic DPST 200 ohm



the TURNER company
Cedar Rapids, Iowa, U. S. A.