

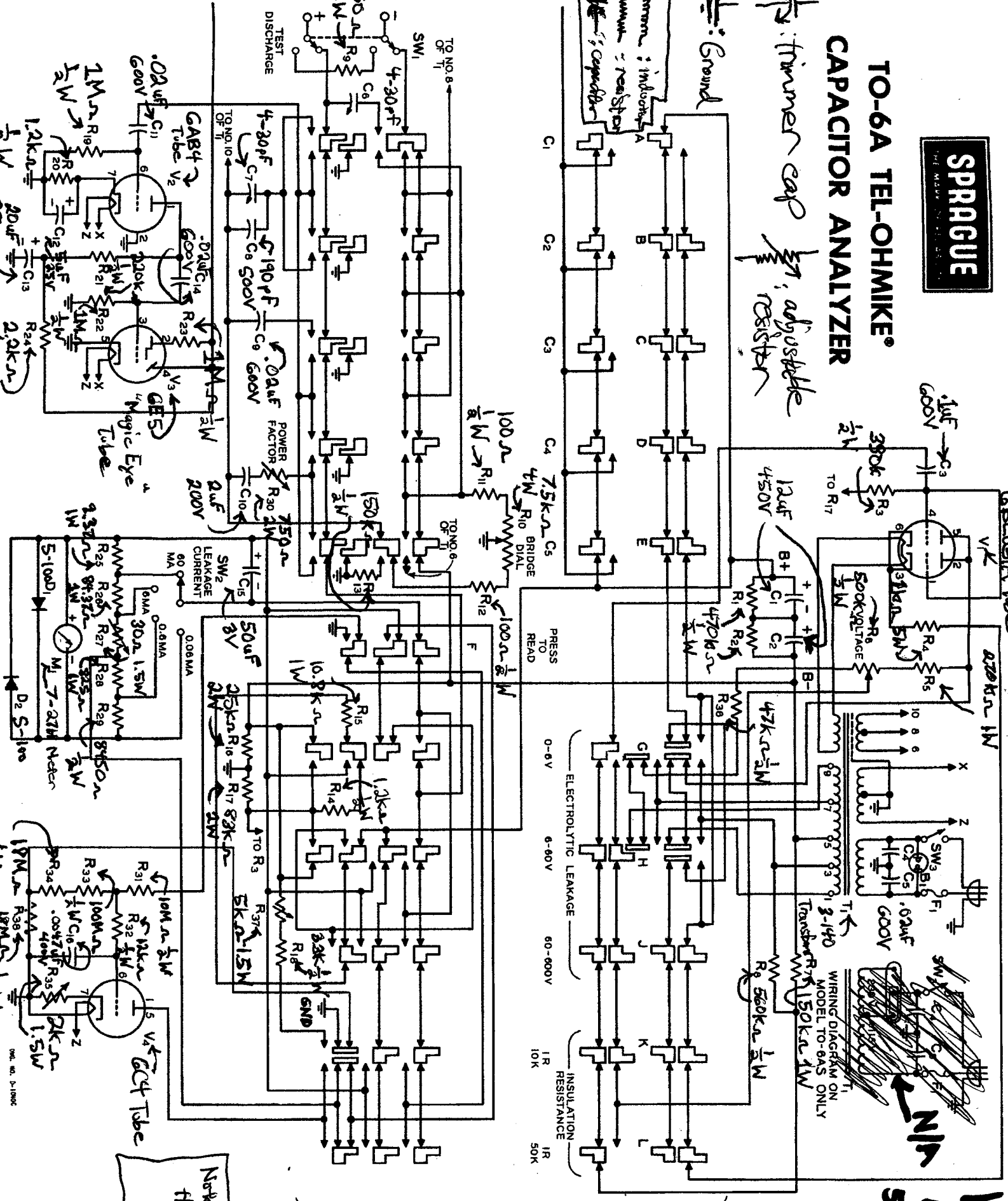


TO-6A TEL-OHMME® CAPACITOR ANALYZER

trimmer cap → *adjustable resistor*

Ground

inductor
resistor
capacitor



Note: R18 is the shunt resistor

SW4 SHOWN IN RELEASED POSITION

Hallman Labs
5-12-18

NIP