

Instruction Manual



K212
Portable Instrument Cart
070-5554-04

Copyright © Tektronix, Inc. All rights reserved.

Tektronix products are covered by U.S. and foreign patents, issued and pending. Information in this publication supercedes that in all previously published material. Specifications and price change privileges reserved.

Printed in the U.S.A.

Tektronix, Inc., P.O. Box 1000, Wilsonville, OR 97070-1000

TEKTRONIX and TEK are registered trademarks of Tektronix, Inc.

WARRANTY

Tektronix warrants that the products that it manufactures and sells will be free from defects in materials and workmanship for a period of one (1) year from the date of shipment. If a product proves defective during this warranty period, Tektronix, at its option, either will repair the defective product without charge for parts and labor, or will provide a replacement in exchange for the defective product.

In order to obtain service under this warranty, Customer must notify Tektronix of the defect before the expiration of the warranty period and make suitable arrangements for the performance of service. Customer shall be responsible for packaging and shipping the defective product to the service center designated by Tektronix, with shipping charges prepaid. Tektronix shall pay for the return of the product to Customer if the shipment is to a location within the country in which the Tektronix service center is located. Customer shall be responsible for paying all shipping charges, duties, taxes, and any other charges for products returned to any other locations.

This warranty shall not apply to any defect, failure or damage caused by improper use or improper or inadequate maintenance and care. Tektronix shall not be obligated to furnish service under this warranty a) to repair damage resulting from attempts by personnel other than Tektronix representatives to install, repair or service the product; b) to repair damage resulting from improper use or connection to incompatible equipment; c) to repair any damage or malfunction caused by the use of non-Tektronix supplies; or d) to service a product that has been modified or integrated with other products when the effect of such modification or integration increases the time or difficulty of servicing the product.

THIS WARRANTY IS GIVEN BY TEKTRONIX IN LIEU OF ANY OTHER WARRANTIES, EXPRESS OR IMPLIED. TEKTRONIX AND ITS VENDORS DISCLAIM ANY IMPLIED WARRANTIES OF MERCHANTABILITY OR FITNESS FOR A PARTICULAR PURPOSE. TEKTRONIX' RESPONSIBILITY TO REPAIR OR REPLACE DEFECTIVE PRODUCTS IS THE SOLE AND EXCLUSIVE REMEDY PROVIDED TO THE CUSTOMER FOR BREACH OF THIS WARRANTY. TEKTRONIX AND ITS VENDORS WILL NOT BE LIABLE FOR ANY INDIRECT, SPECIAL, INCIDENTAL, OR CONSEQUENTIAL DAMAGES IRRESPECTIVE OF WHETHER TEKTRONIX OR THE VENDOR HAS ADVANCE NOTICE OF THE POSSIBILITY OF SUCH DAMAGES.



Table of Contents

General Safety Summary	ii
Introduction	1
Standard K212 Cart	3
Assembly Instructions	4
Loading and Safety Precautions	11
Maintenance and Service	11
Repackaging for Shipment	11
K212 Cart Options	12
Option 10 Installation	13
Option 12 Installation	14
Specifications	16
Replaceable Parts	17
Parts Ordering Information	17
Using the Replaceable Parts List	18

General Safety Summary

Review the following safety precautions to avoid injury and prevent damage to this product or any products connected to it. To avoid potential hazards, use this product only as specified.

Symbols and Terms

Terms in this Manual. These terms may appear in this manual:



WARNING. *Warning statements identify conditions or practices that could result in injury or loss of life.*



CAUTION. *Caution statements identify conditions or practices that could result in damage to this product or other property.*

Terms on the Product. These terms may appear on the product:

DANGER indicates an injury hazard immediately accessible as you read the marking.

WARNING indicates an injury hazard not immediately accessible as you read the marking.

CAUTION indicates a hazard to property including the product.

Symbols on the Product. The following symbols may appear on the product:



CAUTION
Refer to Manual

Introduction

The Tektronix K212 Portable Instrument Cart is a member of the TEKTRONIX SCOPE-MOBILE® cart family. The K212 cart is designed to transport portable oscilloscopes and other portable instruments. An optional center shelf and power strip are also available. Refer to *K212 Cart Options* on page 12 for option descriptions.

The K212 cart is shipped unassembled. All components, the assembly instructions, and some required tools are included in the shipping container.

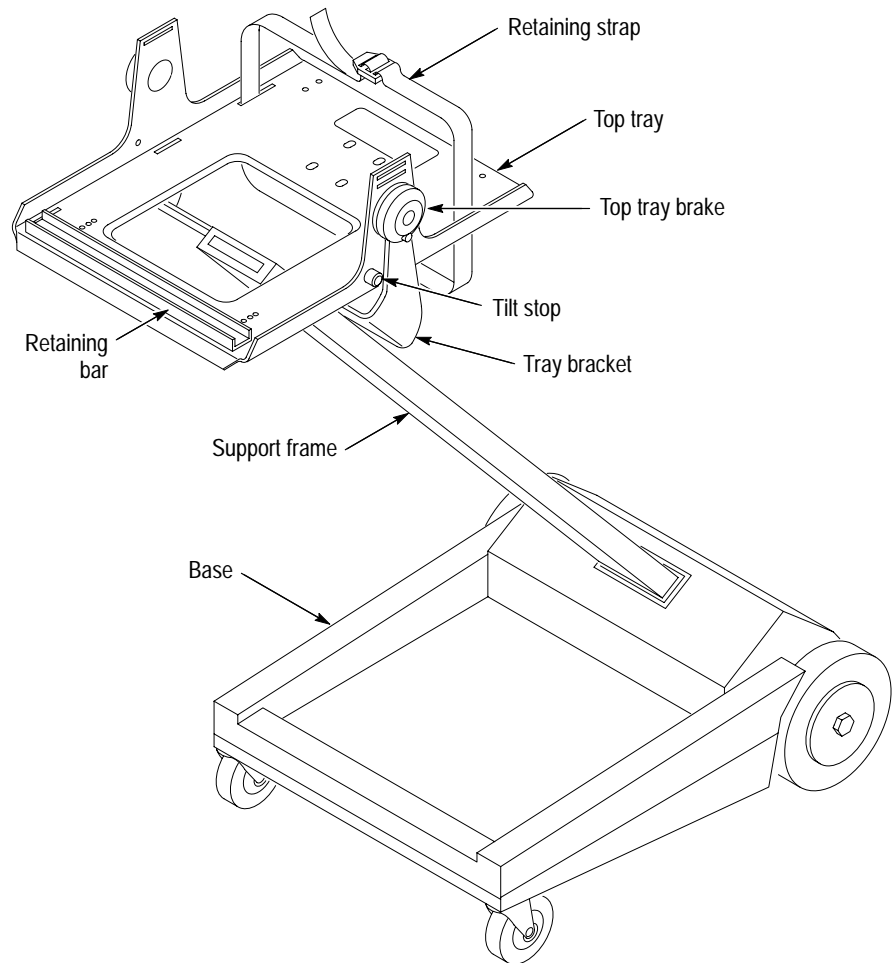


Figure 1: Standard K212 portable instrument cart

Required Tools

You need the following tools to assemble the cart:

- $\frac{3}{16}$ inch Allen wrench (supplied)
- $\frac{7}{16}$ inch wrench
- Two $\frac{9}{16}$ inch open-end wrenches
- $\frac{1}{2}$ inch wrench
- Pozidrive screwdriver with #1 and #2 tips

Standard K212 Cart

This section contains a description of the standard K212 cart, assembly instructions, adjustment procedure, and application suggestions. Please read all instructions completely before assembling, adjusting, or loading the cart.

A description of the K212 cart options begins on page 12, including instructions for installing the options.

Top Tray The top tray tilts so your instrument can be used in a convenient position. The K212 cart comes with retaining hardware to securely place instruments on the top tray (refer to *Install the Instrument Retainers* on page 8). The top tray accommodates loads up to 80 pounds (36. kg).



WARNING. *Never use the top tray as a seat. Doing so could result in serious injury to you and serious damage to the cart and instrument.*

Friction Brakes The top tray is connected to the support frame through two friction brakes that can be set to any angle through 240° of travel. These brakes are easily adjusted to accommodate the weight of your particular instrument (refer to *Top Tray Brake Adjustment* on page 10).

Retaining Straps Two straps are provided for securing instruments to the top tray. Threading and installation procedures are discussed under *Install the Instrument Retainers* on page 8.

Support Frame The support frame is constructed of aluminum to provide maximum strength, durability, and low weight.

Base The base is constructed of durable thermoset polyester and will accommodate loads up to 100 pounds (45.4 kg).

Locking Casters The front casters include brakes that will prevent a fully loaded cart (180 pounds, 81.6 kg) from rolling on a 10° incline. The brakes are set on or off by pushing the lever on each wheel with your foot or hand.

Assembly Instructions

Use the following procedures to assemble the standard K212 instrument cart. Assembly instructions for all options begins on page 12.

Assemble Base To assemble the base, use the following procedure and Figure 2 as a guide.

1. Remove the base, casters, wheels, and associated hardware from the shipping carton.
2. Locate the two screws, bearings, washers, and four nuts.
3. Attach the rear wheels with hardware as shown.
4. Press the front castors into the holes provided at the front bottom of the base. Make sure that the castors are fully seated into place.

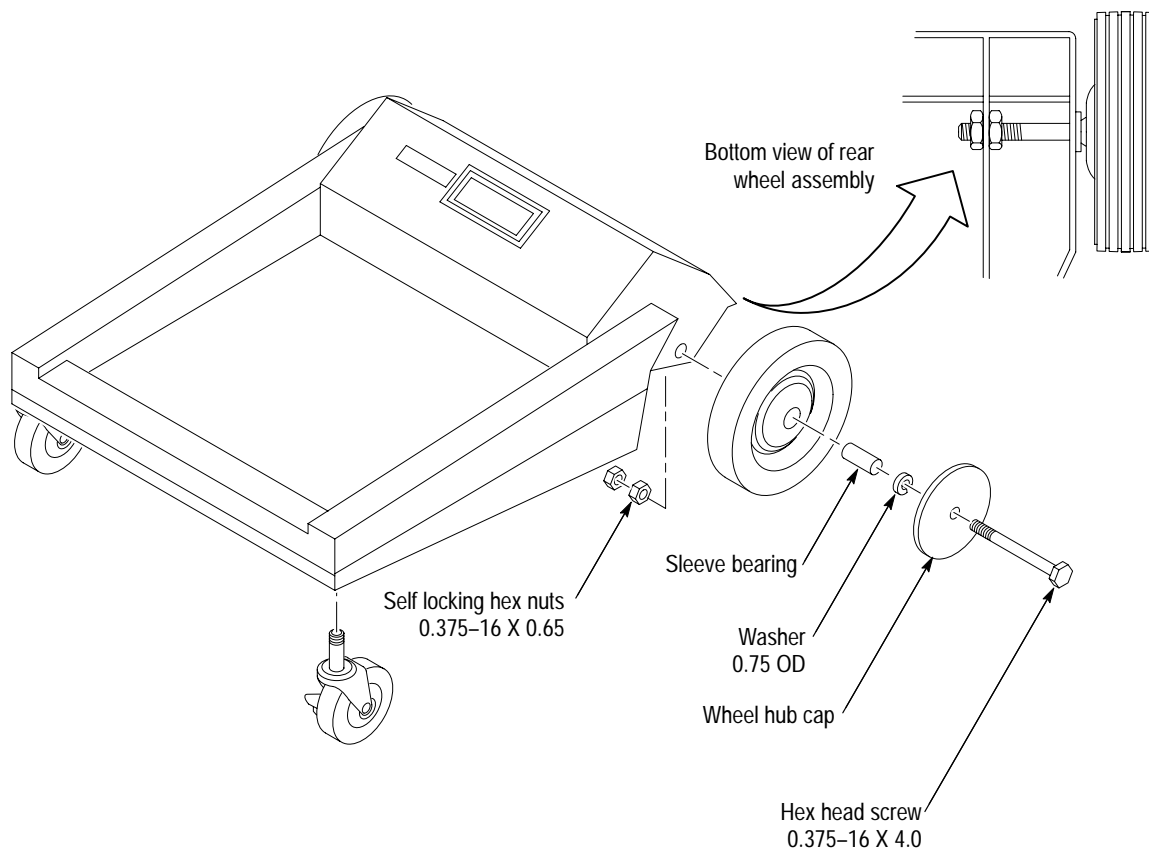


Figure 2: Assembling the base

Attach Top Tray Mounting Bracket

Use the following procedure to attach the top tray mounting bracket to the support frame. Use Figure 3 as a guide.

1. Remove the top tray mounting bracket and support frame from the shipping carton.
2. Locate the associated mounting screws and washers.
3. Align the top tray mounting bracket holes with the holes in the support frame.
4. Use a Posidrive screwdriver with a #2 tip to install the screws.
5. Install the end cap on the support frame. Use a hammer to gently tap it in place if necessary.

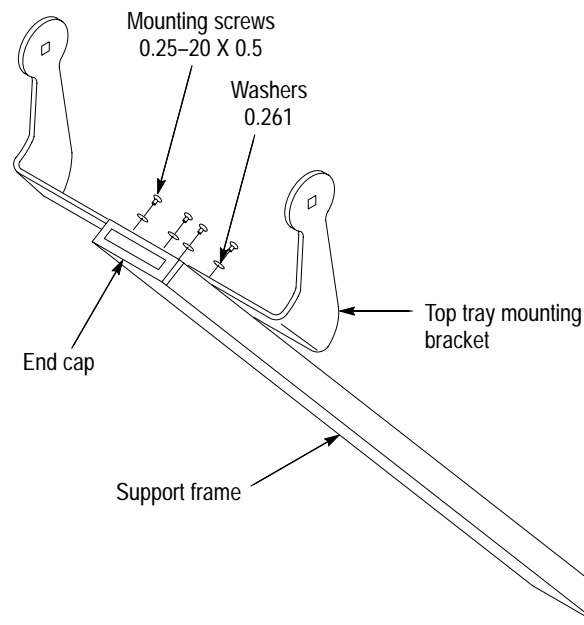


Figure 3: Attaching the top tray mounting bracket to the support frame

Attach Top Tray to Top Tray Mounting Bracket

The top tray tilts to conveniently position your instrument. Use the following procedure to attach the top tray to the top tray mounting bracket. Use Figure 4 as a guide.

1. Locate the top tray mounting hardware: square bolts and nuts, friction liners, plastic brake covers, and cover retaining screws. This hardware also comprises the braking assembly described on page 10.
2. Attach the top tray to the top tray mounting bracket using the flathead square bolts and hex nuts. Be sure to place the friction liners between the tray and bracket.

NOTE. *Adjust the tightness of the hex nuts to keep the tray from tilting too easily. The friction brakes will need readjusting when equipment is placed on the tray.*

3. Use a Pozidriv screwdriver with #1 tip to install the brake covers.
4. Install a tray tilt-stop on both sides of the tray. Use a phillips flathead 10-32 X 0.312 screw to attach each tilt-stop.

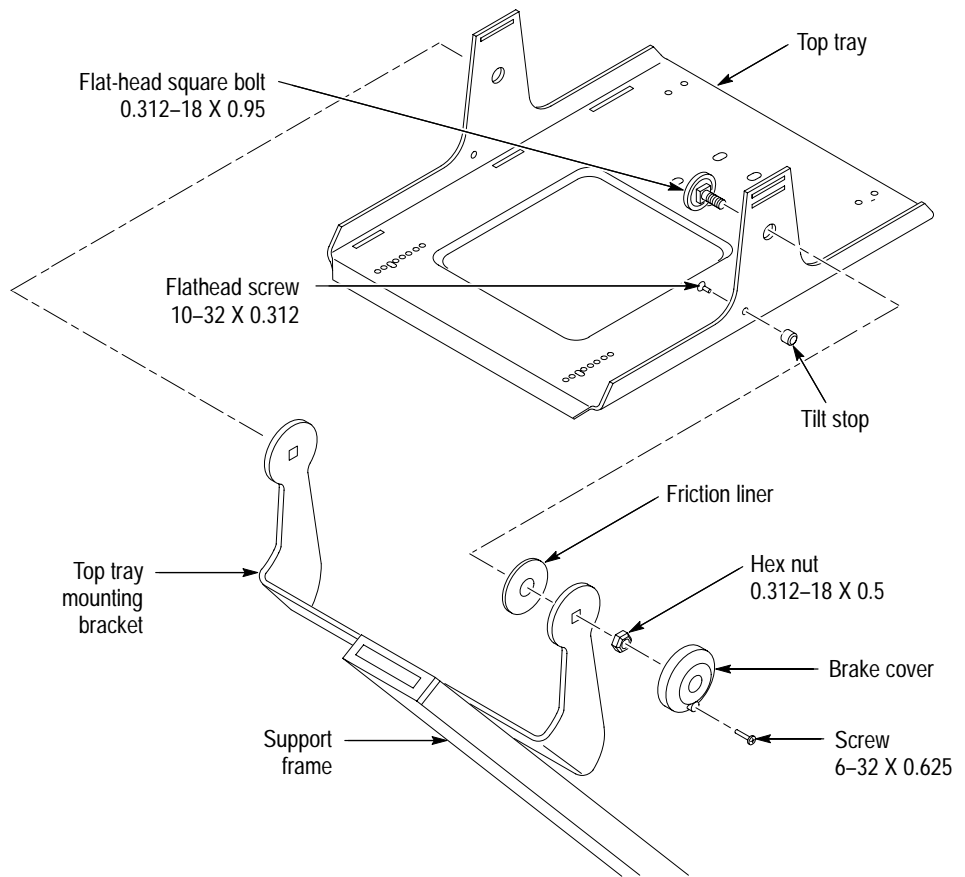


Figure 4: Attaching the top tray to the top tray mounting bracket

Install Support Frame in Base

Use the following procedure to install the support frame (with tray assembly) into the cart base. Use Figure 5 as a guide.

1. Locate the support frame mounting hardware: Allen head screws, washers, and nuts.
2. Insert the bottom of the support frame into the opening on the top of the base until the holes in the frame align with the holes in the base.
3. Insert the two Allen head screws through the base and frame.
4. Carefully turn the cart assembly over onto its side so the lock washers and nuts can be installed onto the screws protruding through the bottom of the cart.
5. Tighten the nuts until there is a very negligible front-to-back movement of the frame assembly in the base. (Stress sounds from the plastic while tightening the nuts is normal.)

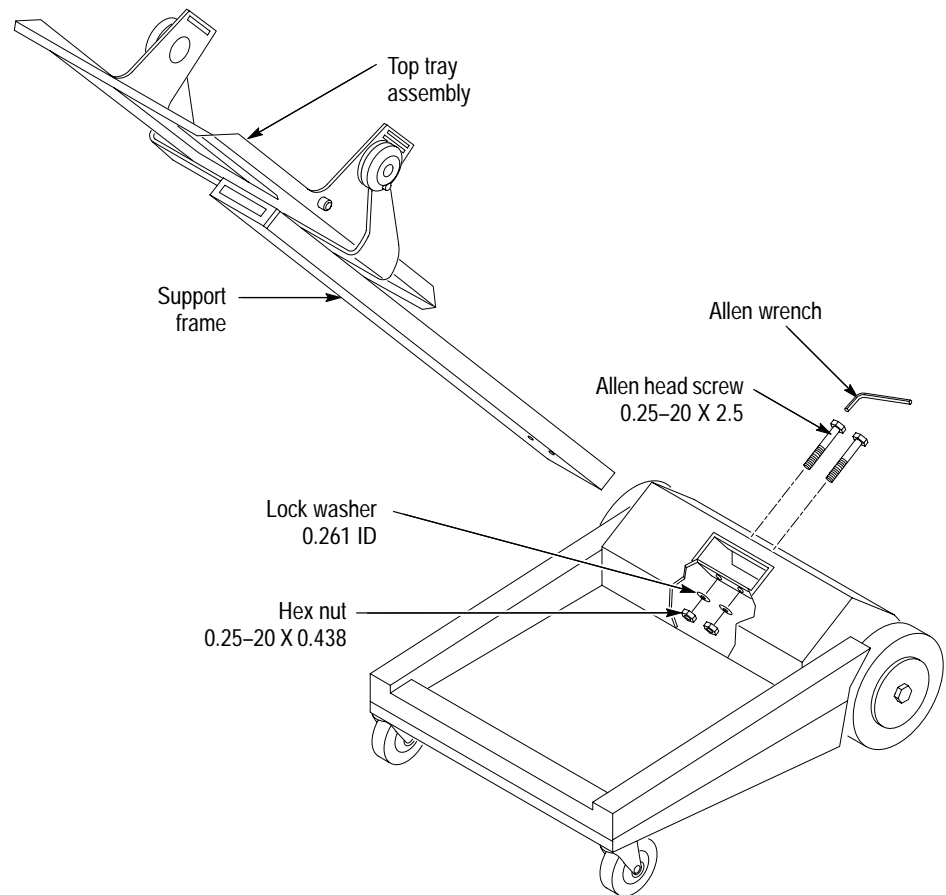


Figure 5: Installing the support frame

Install Instrument Retainers

The K212 cart comes with retaining hardware to secure your instrument to the top tray.

The retaining bar and straps configuration depends on the shape of your instrument's feet, its weight, weight distribution, and size.



CAUTION. Use care when placing your instrument on the top tray the first time; the brakes may need adjusting to accommodate the added weight. Refer to Top Tray Brake Adjustment on page 10 if readjustment is necessary.

Use the following procedure to attach the retaining bar and strap. Use Figure 6 as a guide.

1. Remove the retainer bar, two retaining straps, and attaching parts from the shipping carton.
2. Attach the retaining bar to the top tray using the lock washers and thumb-screws.

There are eight possible positions to attach the retaining bar on the front of the top tray. The best position allows the front feet of the instrument to sit in the retaining bar while distributing the weight of the instrument evenly on the tray. The front panel, controls, and connectors of the instrument should be in a convenient position.

Table 1 lists the recommended positions of the retaining bar and straps for some commonly used oscilloscopes.

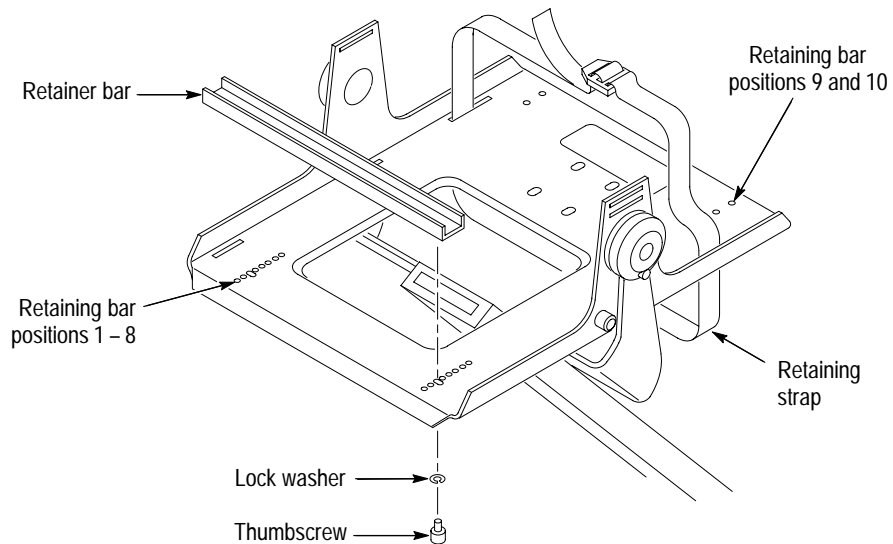


Figure 6: Installing the instrument retainers

NOTE. For some instruments, you may need to mount the retaining bar at the rear of the top tray (in one position only), securing the rear feet of the instrument instead of the front feet.

3. Attach the retaining straps to the top tray.

The retaining straps should always be used to secure your instrument; two straps are provided with the cart. There are three positions (six slots, three on each side of the tray bottom) provided for installing the retaining straps. These are the recommended slots for securing your instrument.

A fourth position is available for tall instruments by threading the strap through the slots located above the brakes. This position is NOT recommended as a reliable method for securing stacked instruments.

Figure 7 illustrates the proper method for threading the strap buckle.

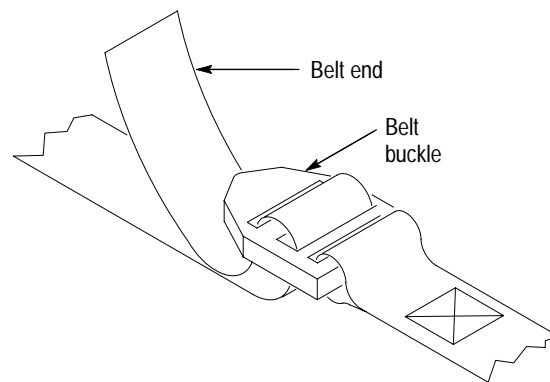


Figure 7: Threading the strap buckle

Table 1: Sample instrument-securing hardware configurations

Oscilloscope ¹	Retainer bar (see Figure 6)	Straps	Notes
2200 Series	Position 4	1	Strapped in the center
2300 Series	no bar used	2	Open cover hangs over front of cart, belted front and back
2440	Position 1	2	Strapped front and back
2445A & B	Position 2	2	Strapped front and back
2465A & B	Position 2	2	Strapped front and back

¹ Configurations may differ when accessory pouches are installed or securing older oscilloscope models.

Adjust Top Tray Brake

Adjust the top tray brake tension to retain the angle/position of your instrument. Refer to Figure 8 while performing this procedure.

1. Remove the covers from both brakes by removing the securing screw using the #1 screwdriver tip.
2. Adjust each locking-nut to the desired tightness with a 1/2 inch wrench.
3. Test the top tray brakes with your instrument strapped in place. If the brakes are adjusted properly (maintaining the tray position), replace the brake covers.

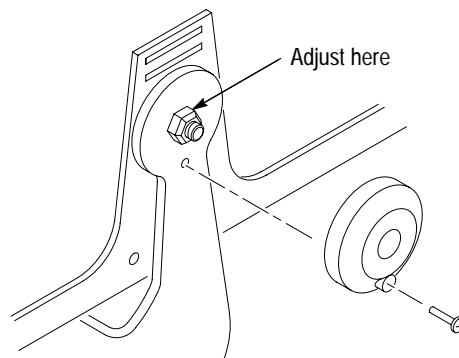


Figure 8: Adjusting the top tray brake

Attach Probe Holder

The probe holder attaches to the side of the cart or to an instrument and retains up to two probes when not in use.

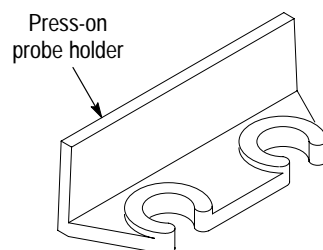


Figure 9: Probe holder

Loading and Safety Precautions

When placing instruments on the top tray, do not exceed the maximum weight limit. Configure the retaining bar and straps to prevent the instrument from sliding and to situate the instrument's center of gravity toward the rear of the tray. Always strap instruments to the tray. To avoid tipping, do not stand the cart on a surface with more than a 10° incline. Placing a heavy load on the base of the cart will increase cart stability.

NOTE. For maximum safety and reliability, remain within the load limitations at all times.

Table 2: Maximum cart loads

Surface	Maximum loads
Top tray	80 lbs (36.2 kg)
Base	100 lbs (45.4 kg)
Total cart load	180 lbs (81.7 kg)

Maintenance and Service

The K212 cart requires no lubrication or maintenance except for an occasional cleaning. The entire cart is easily cleaned with a cloth dampened with water or a mixture of water and a small amount of household detergent.



CAUTION. Do not use harsh or abrasive cleaning agents. Avoid chemical cleaning agents that may harm the plastic or finish. Particularly avoid strong acids or alkalis, ketones, and solvents.

Repackaging for Shipment

When shipping the K212 cart to a Tektronix Service Center for repair, attach a tag listing the following information: owner, address, a description of the problem, and the name and phone number of a contact.

Use the original shipping carton or obtain a carton with a test strength of 200 lbs (90.7 kg) that allows 3.2 in. (8 cm) of cushioning on all sides. In addition, on carts with the optional center shelf, provide a folded cardboard support between the base and the center tray.

K212 Cart Options

Two options are available for the K212 cart. Option 10 provides a power strip. Option 12 provides a center shelf and an extra retaining strap. Option 22 is a combination of both options. These options are available at the time of purchase or can be purchased at a later date. Use the instructions in this section to install the options.

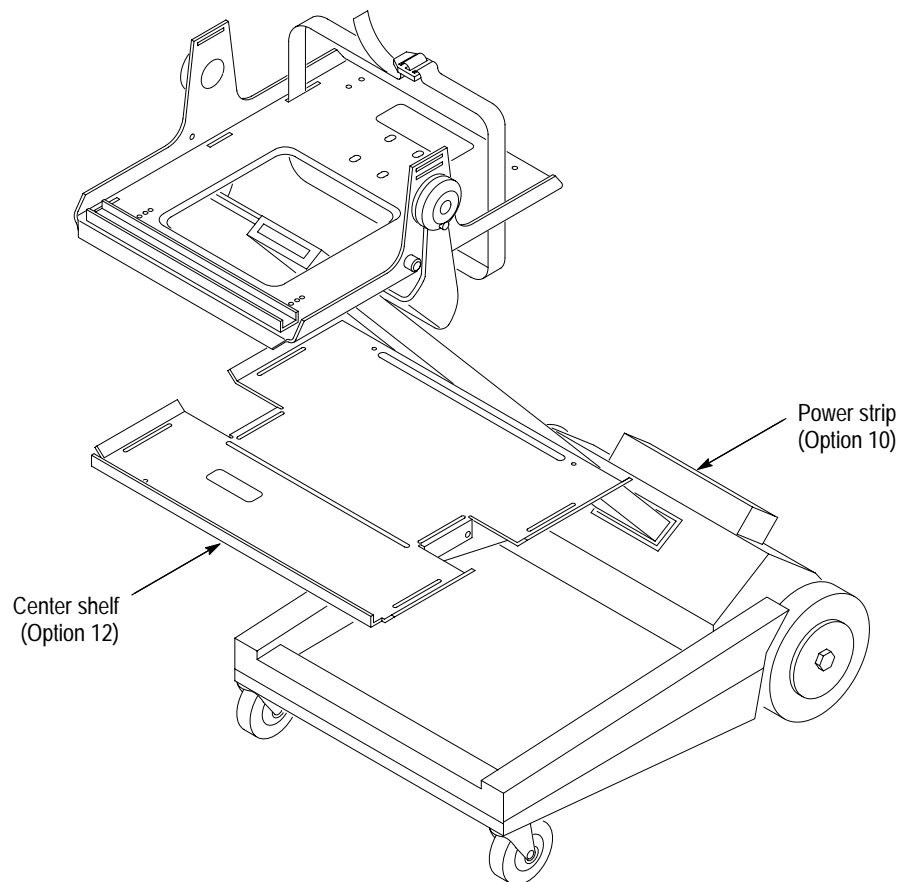


Figure 10: K212 instrument cart with Options 10 and 12 installed

Option 10 Installation

Option 10 provides a power strip for K212 cart base. Use the following procedure to install the power strip. Use Figure 11 as a guide.

1. Install the two mounting brackets (supplied with the power strip) on the cart base using the self-tapping screws.
2. Slide the power strip into the two mounting brackets. Insert the end furthest from the power cord first.

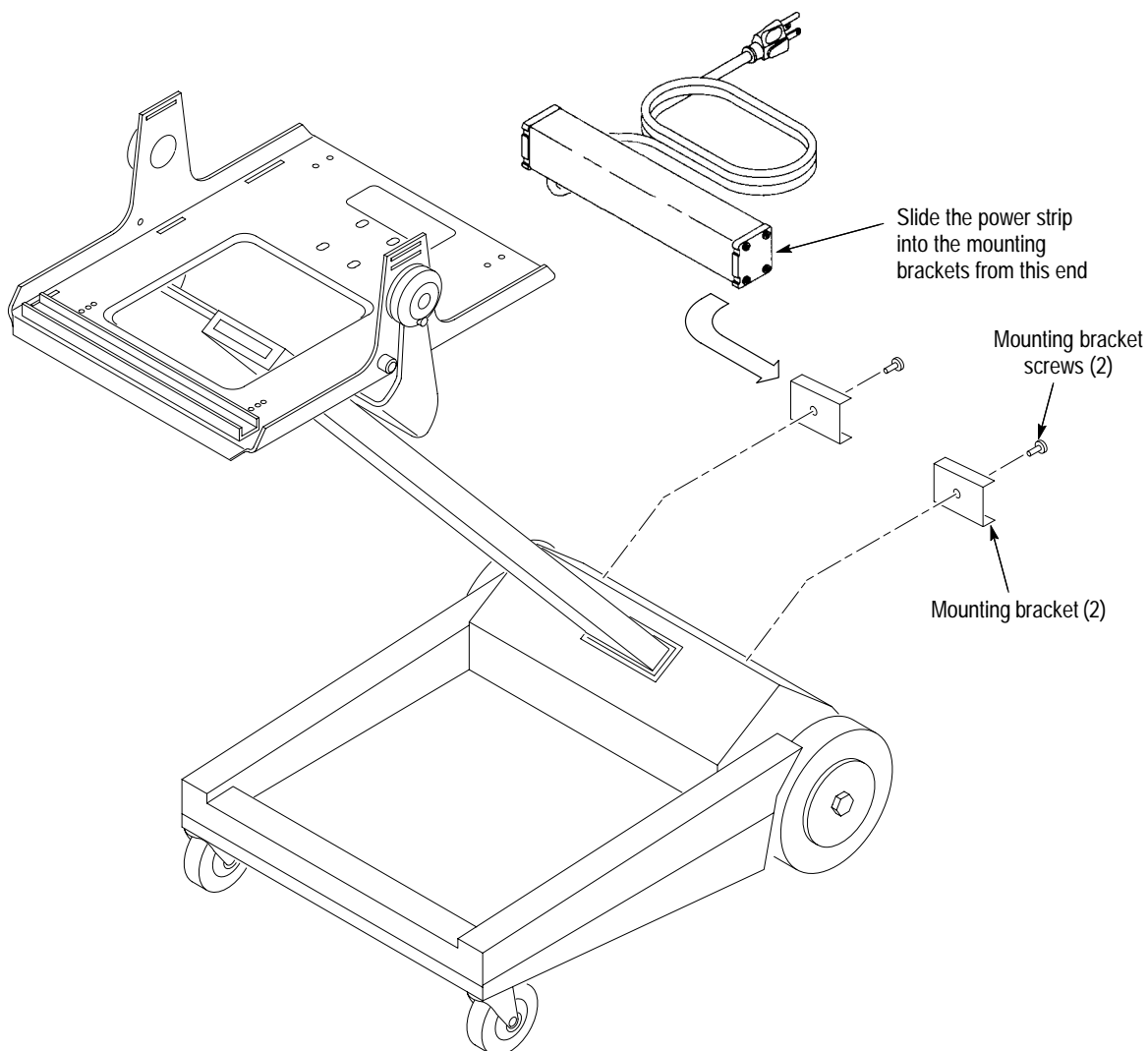


Figure 11: Attach the power strip

Option 12 Installation

Option 12 provides a center shelf to the K212 cart. Use this shelf for a printer, function generator, or other test equipment used with the instrument on the top tray. The shelf includes a slot for feeding paper to a printer.

There are several slots provided in the shelf for threading the retaining strap. Use the strap to secure an instrument to the shelf. The maximum weight for the center shelf is 40 pounds (18.2 kg).



WARNING. The total maximum weight recommended for the entire cart is 180 pounds (81.7 kg).

Use the following procedure to install the center shelf.

1. Remove all instruments from the cart. Tilt the top tray so it is parallel to the support frame. See Figure 5 on page 7.
2. Lay the cart on its back so the support frame is parallel and near to the floor. See Figure 12.
3. Install the shelf bracket using the four screws and lock washers (provided with the shelf) as shown in Figure 12.

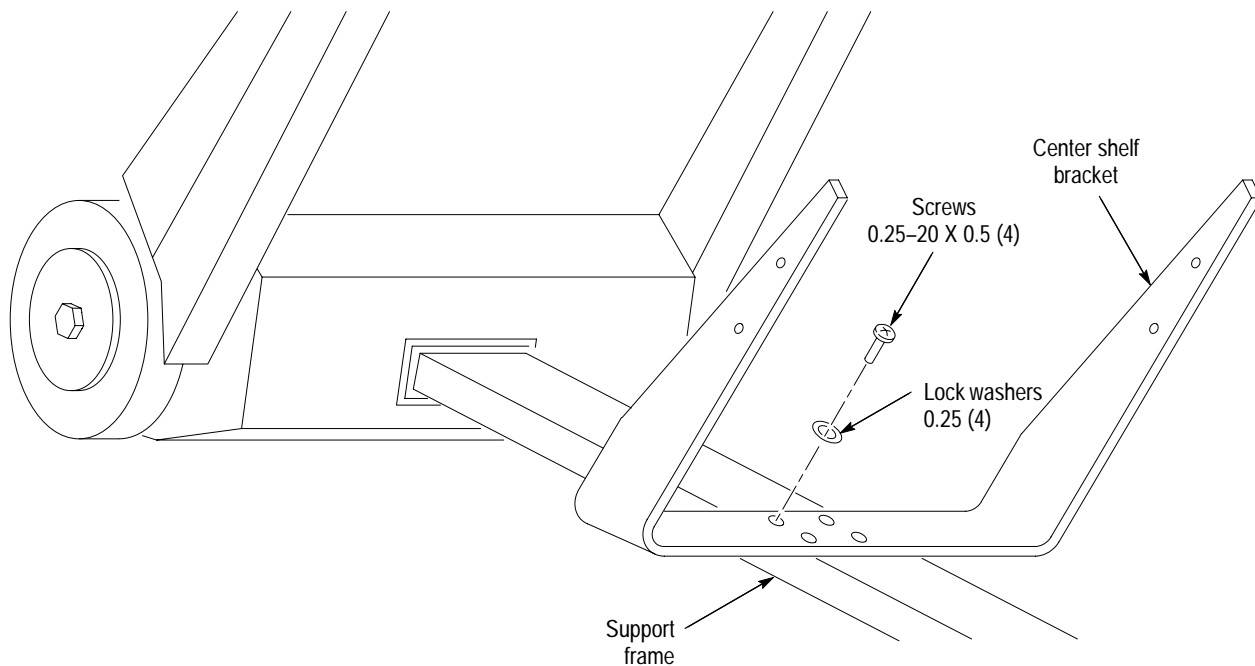


Figure 12: Install center shelf bracket

4. Set the cart upright. Attach the center shelf to the shelf bracket with the four self tapping flathead screws. See Figure 13.

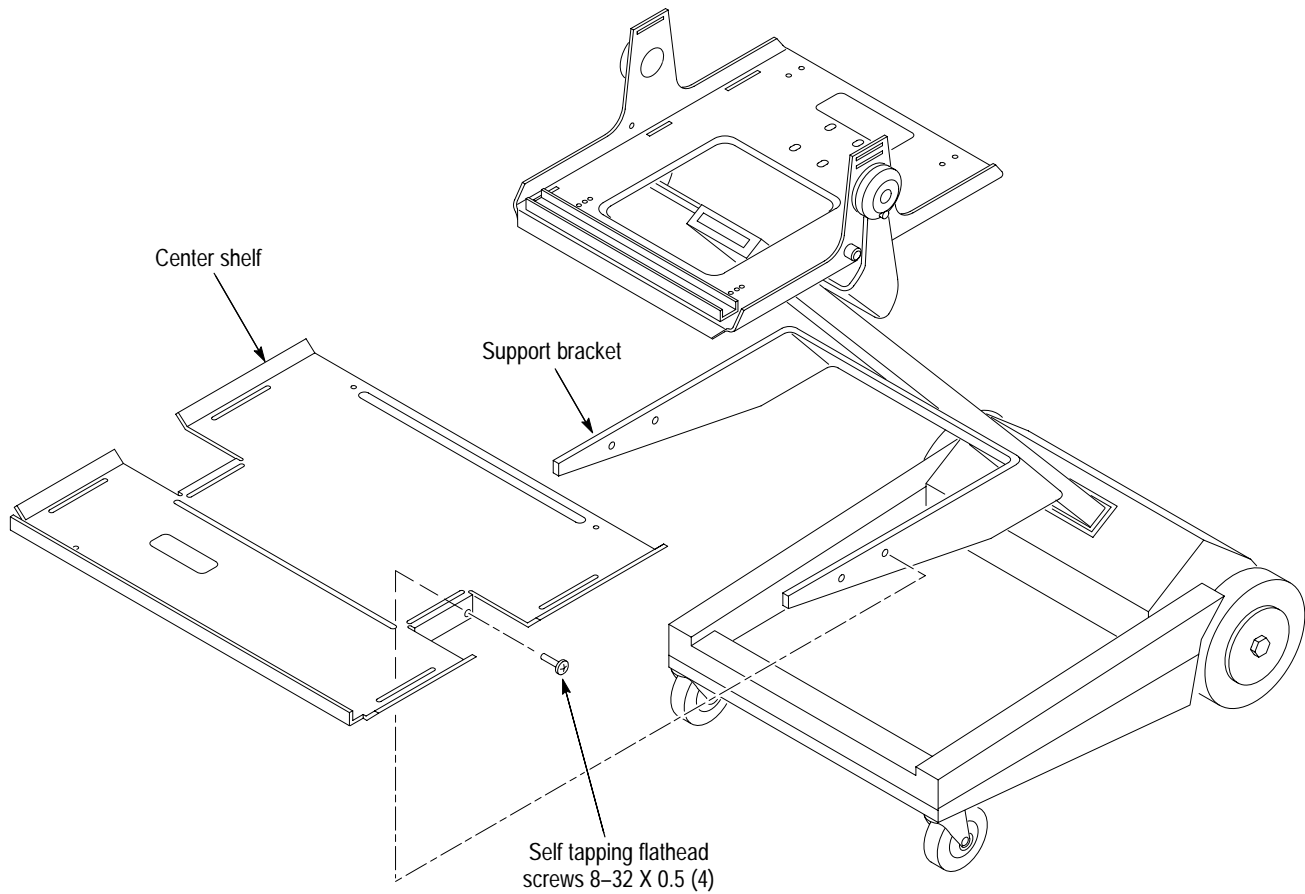


Figure 13: Attach center shelf

Specifications

Table 3 provides the physical specifications for the standard K212 cart and the K212 cart with options.

Table 3: Physical specifications

Characteristic	Information
Weight	
Cart only	19.5 lbs. (8.9 kg)
Shipping weight	
Standard	28.0 lbs. (12.7 kg)
With Option 22	34.0 lbs. (15.4 kg)
Height (unloaded, top tray level)	
Top of cart	33.0 in. (83.8 cm)
Top tray (shelf)	27.5 in. (69.9 cm)
Center shelf	15.5 in. (39.4 cm)
Base (shelf)	4.5 in. (11.4 cm)
Depth	
Deepest point	24.0 in. (61.0 cm)
Width	
Widest point	17.0 in. (43.2 cm)
Instrument area	
Top tray	13.0 X 17.25 in. (33.0 X 43.8 cm)
Center shelf	12.5 X 16.00 in. (31.8 X 40.6 cm)
Base	16.0 X 20.50 in. (40.6 x 52.0 cm)

Replaceable Parts

This section contains a list of the replaceable components for the K212 cart. Use this list to identify and order replacement parts.

Parts Ordering Information

Replacement parts are available through your local Tektronix field office or representative.

Changes to Tektronix products are sometimes made to incorporate improved components as they become available and to give you the benefit of the latest improvements. When ordering parts, it is important to include the following information in your order:

- Part number
- Type or model number
- Ship date (stamped on cart)
- Modification number, if applicable

If you order a part that has been replaced with a different or improved part, your local Tektronix field office or representative will contact you concerning any change in part number.

Using the Replaceable Parts List

The tabular information in the Replaceable parts list is arranged for quick retrieval. Understanding the structure and features of the list will help you find all of the information you need for ordering replacement parts. The following table describes the content of each column in the parts list.

Table 4: Parts list column descriptions

Column	Column name	Description
1	Figure & index number	Items in this section are referenced by figure and index numbers to the exploded view illustrations that follow.
2	Tektronix part number	Use this part number when ordering replacement parts from Tektronix.
3 and 4	Ship date	Column three indicates the ship date at which the part was first effective. Column four indicates the ship date at which the part was discontinued. No entry indicates the part is good for all versions.
5	Qty	This indicates the quantity of parts used.
6	Name & description	An item name is separated from the description by a colon (:). Because of space limitations, an item name may sometimes appear as incomplete. Use the U.S. Federal Catalog handbook H6-1 for further item name identification.
7	Mfr. code	This indicates the code of the actual manufacturer of the part.
8	Mfr. part number	This indicates the actual manufacturer's or vendor's part number.

Abbreviations Abbreviations conform to American National Standard ANSI Y1.1–1972.

Chassis Parts Chassis-mounted parts and cable assemblies are located at the end of the Replaceable Electrical Parts List.

Mfr. Code to Manufacturer Cross Index The table titled Manufacturers cross index shows codes, names, and addresses of manufacturers or vendors of components listed in the parts list.

Table 5: Manufacturers cross index

Mfr. code	Manufacturer	Address	City, state, zip code
80009	TEKTRONIX, INC.	P.O. BOX 500	BEAVERTON, OR, 97077-0001
OJ9P9	GEROME MFG CO INC	PO BOX 737 403 NORTH MAIN	NEWBERG, OR 97132
OKB01	STAUFFER SUPPLY CO	810 SE SHERMAN	PORTLAND, OR 97214-4657
OKB05	NORTH STAR NAMEPLATE INC	5750 NE MOORE COURT	HILLSBORO, OR 97124-6474
11431	GLEASON CORPORATION	316 N MILWAUKIE ST SUITE 200 PO BOX 343	MILWAUKEE, WI 53202
11897	ITW PLASTIGLIDE	19440 DOMINGUEZ HILLS DRIVE	RANCHO DOMINGUEZ, CA 90220
3M099	PORTLAND SCREW COMPANY	6520 N BASIN AVE	PORTLAND, OR 97217
56878	SPS TECHNOLOGIES INC	HIGHLAND AVE	JENKINTOWN, PA 19046
63091	PREMIX INC	ROUTE 20 HARMON RD PO BOX 281	NORTH KINGSVILLE, OH 44068
78189	SHAKEPROOF	DIVISION OF ILLINOIS TOOL WORK ST. CHARLES ROAD	ELGIN, IL 60120
7X318	KASO PLASTICS INC	5720-C NE 121ST AVE, STE 110	VANCOUVER, WA 98682
80009	TEKTRONIX INC	14150 SW KARL BRAUN DR PO BOX 500	BEAVERTON, OR 97077-0001
85471	BOYD CORPORATION	13885 RAMONA AVE	CHINO, CA 91710
86928	SEASTROM MFG CO INC	456 SEASTROM STREET	TWIN FALLS, ID 83301
93907	CAMCAR DIV OF TEXTRON INC	ATTN: ALICIA SANFORD 516 18TH AVE	ROCKFORD, IL 611045181
TK0409	KEN R HUMKE COMPANY	2211 N.W. NICOLAI P.O. BOX 5128	PORTLAND, OR 972085128
TK2476	MODO INC	1400 NW COMPTON DR	BEAVERTON, OR 97006-1992
TK2548	XEROX CORPORATION	14181 SW MILLIKAN WAY	BEAVERTON, OR 97005

Replaceable Parts

Table 6: Replaceable parts list

Fig. & index number	Tektronix part number	Ship date effective	Ship date discont'd	Qty	Name & description	Mfr. code	Mfr. part number
14-1	334-5134-01			1	MARKER,IDENT:MKD CAUTION	80009	334-5134-01
14-2	214-0174-04			2	BOLT,SQUARE NK:0.312-18 X 0.950,FLH,SST	93907	ORDER BY DESCRIPTION
14-3	346-0261-00			2	STRAP,ASSEMBLY:1.5 INCHES WIDE WITH BUCKLE,6 FT LONG	TK2476	346-0261-00
14-4	436-0075-09			1	TRAY,TSTEQ DLY:UPPER TILT	0J9P9	436-0075-09
14-5	105-0060-00			2	STOP,TILT TRAY:ALUMINUM	0J9P9	ORDER BY DESCRIPTION
14-6	212-0560-00			2	SCREW,MACHINE:10-32 X 0.312,FLH,100 DEG,STL CD PL,POZ	93907	ORDER BY DESCRIPTION
14-7	107-0027-02			2	LINING,FRICITION:2.0 OD X 0.67 ID X 0.062 THK	85471	ORDER BY DESCRIPTION
14-8	210-0540-00			2	NUT,PLAIN,HEX:0.312-18 X 0.5 STL CD PL	TK0409	ORDER BY DESCRIPTION
14-9	200-0768-02			2	COVER,BK ASSY:2.375 OD X 0.513 H,BLUE ACETAL	80009	200-0768-02
14-10	213-0776-00			2	SCREW,TPG,TF:6-32 X 0.625,FILH,TAPTITE,STL CD PL,POZ DRIVE	0KB01	ORDER BY DESCRIPTION
14-11	407-0381-04			1	BASE,CART:K212	63091	ORDER BY DESCRIPTION
14-12	213-0948-00			2	SCREW,CAP:0.25-20 X 2.5 L,CAP HD,STLNP HEX SKT	93907	ORDER BY DESCRIPTION
14-13	401-0039-00			2	WHEEL,SOLID:NONMETALLIC,6.0 OD X 1.5 W X 0.5 AXLE,BLUE	11431	670-790-66 (TEK BLUE)
14-14	401-0041-00			2	BEARING,SLEEVE:0.38 ID X 0.495 OD X 1.375L STEEL	80009	401-0041-00
14-15	210-1044-00			2	WASHER,FLAT:0.38 ID X 0.75 OD X 0.125, STL CD PL	86928	ORDER BY DESCRIPTION
14-16	213-0947-00			2	SCREW,CAP:0.375-16 X 4.0 L,HEX HD,STL CD PL	93907	ORDER BY DESCRIPTION
14-17	200-0773-00			2	HUB CAP,WHEEL:0.38 ID X 3.64 OD X 0.245 H,AL	0J9P9	200-0773-00
14-18	220-0734-00			4	NUT,SLFLKG,HEX:0.375-16 X 0.65 HEX,STL CD PL	56878	ORDER BY DESCRIPTION
14-19	401-0062-01			2	CASTER,SWIVEL:3.0 DIA W/BRAKE,1.875 L STEM X 0.437 OD	11897	940-00-30DD-45SD (W/BRAKE)
14-20	426-0407-01			1	BASE,CART:K212	63091	ORDER BY DESCRIPTION
14-21	210-0411-00			2	NUT,PLAIN,HEX:0.25-20 X 0.438 STL CD PL	3M099	ORDER BY DESCRIPTION
14-22	210-0046-00			2	WASHER,LOCK:0.261 ID,INTL,0.018 THK,STL CD PL	78189	1214-05-00-0541C
14-23	426-0383-11			1	FRAME,TSTEQ DLY:COMMON ASSY	80009	426-0383-11
14-24	200-0771-02			1	CAP,END COLUMN:3.17 X 1.29 X 0.5,SILVER GRAY	80009	200-0771-02
14-25	210-0046-00			4	WASHER,LOCK:0.261 ID,INTL,0.018 THK,STL CD PL	80009	426-0383-11
14-26	211-1055-00			4	SCREW,MACHINE:0.25-20 X 0.5,FLH	TK2476	211-1055-00
14-27	213-0934-00			2	THUMBSCREW:6-32 X 0.25 L,0.375 OD,SST	80009	213-0934-00
14-28	210-0006-00			2	WASHER,LOCK:#6 INTL,0.018 THK,STL CD PL	78189	1206-00-00-0541C
14-29	214-3710-00			1	BAR,RETAINING:11.6 L X 1.0 W X 0.375 THK,AL CH,6063-T52	80009	214-3710-00

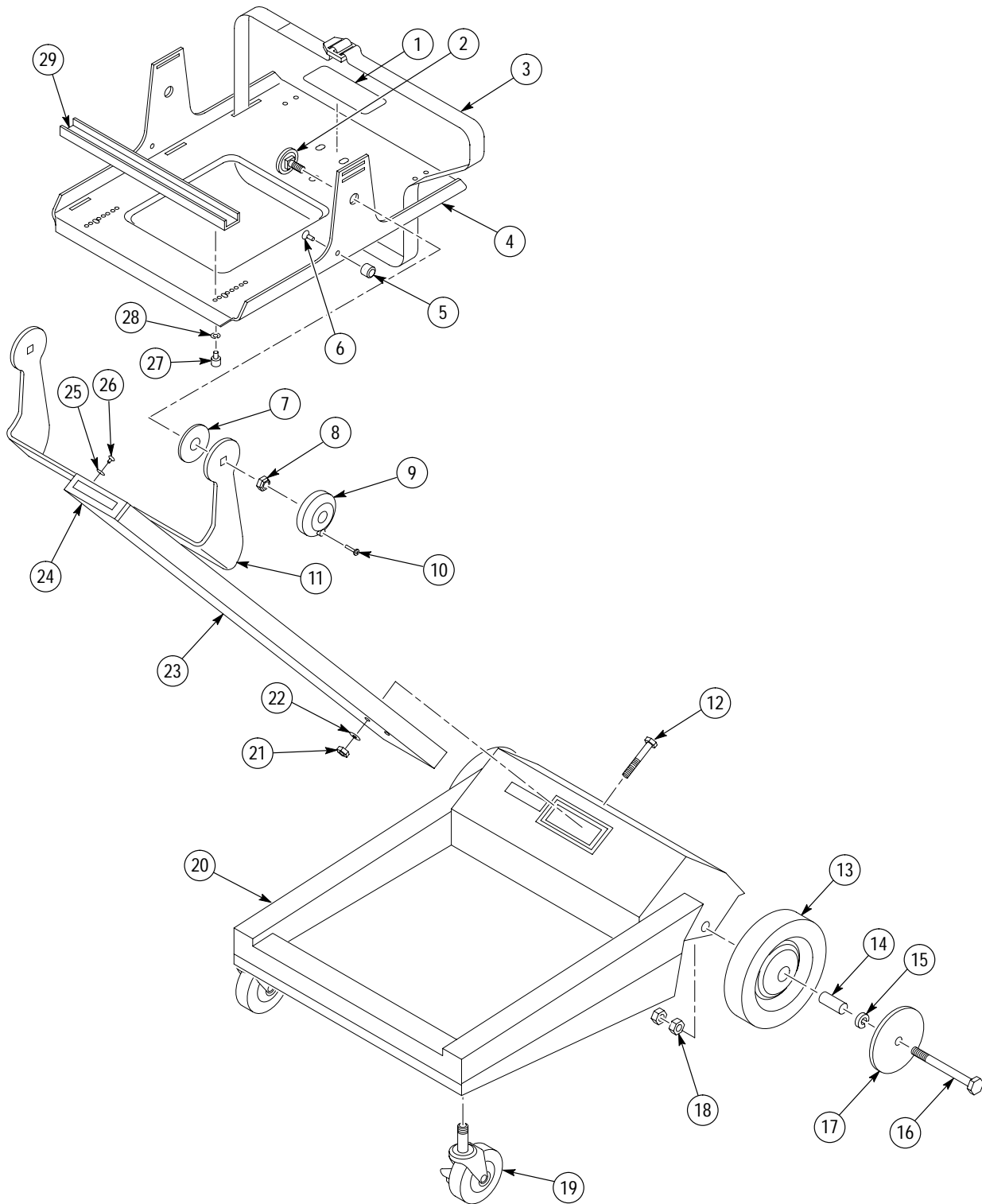


Figure 14: K212 exploded view

Table 7: Option 10 replaceable parts list

Fig. & index number	Tektronix part number	Serial no. effective	Serial no. discont'd	Qty	Name & description	Mfr. code	Mfr. part number
15-1	131-5342-01			1	CONN,ASSY ELEC:MODULE,SURGE PROTECTOR,POWER STRIP,125V,15 AMP,4 OUTLET,W/6 FT CORD,NOISE SUPP WITH MOUNTING HARDWARE	TK2476	131-5342-01

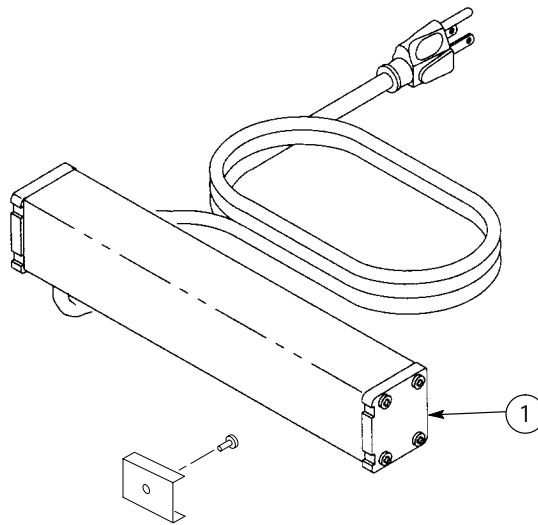


Figure 15: Option 10

Table 8: Option 12 replaceable parts list

Fig. & index number	Tektronix part number	Serial no. effective	Serial no. discontin'd	Qty	Name & description	Mfr. code	Mfr. part number
16-1	436-0218-00			1	TRAY,TEST EQUIP:CENTER SHELF,K212	0J9P9	436-0218-00
16-2	426-0383-11			1	FRAME,TSTEQ DLY:COMMON ASSY K212 OPT 12	80009	426-0383-11
16-3	213-0016-00			4	SCREW,TPG,TC:8-32 X 0.5,TYPE T,FLH 100 DEG STL,CD PL,POZ	93907	ORDER BY DESCRIPTION
16-4	334-5134-02			1	MARKER,IDENT:MARKED CAUTION,K212	0KB05	334-5134-02

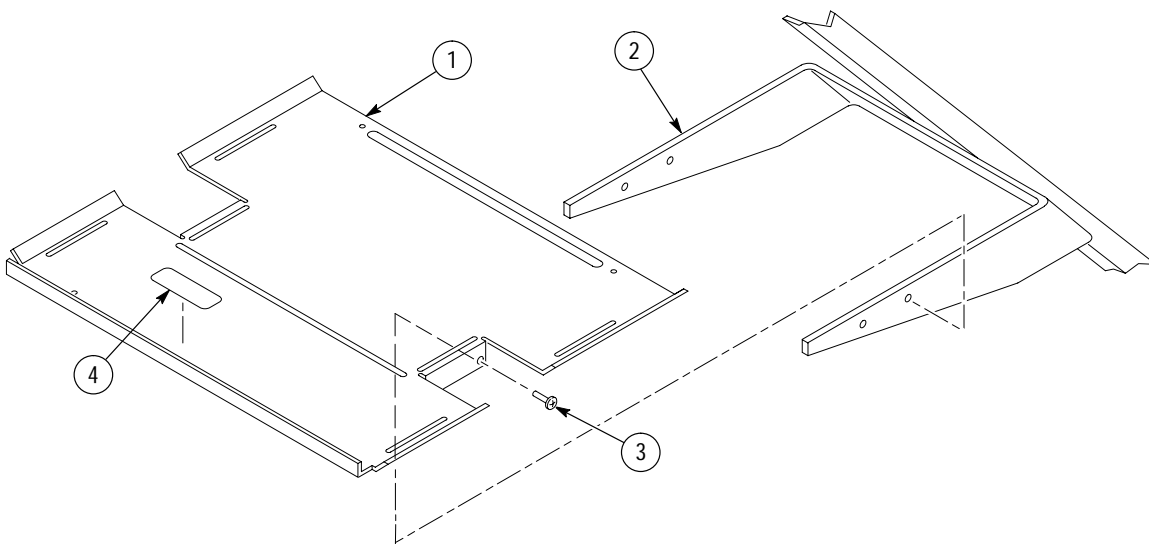


Figure 16: Option 12

Table 9: Standard accessories

Fig. & index number	Tektronix part number	Serial no. effective	Serial no. discont'd	Qty	Name & description	Mfr. code	Mfr. part number
17-1	352-0351-00			2	HOLDER, PROBE: BLACK ABS P6000 SERIES	7X318	1127
	070-5554-04			1	MANUAL, TECH: INSTRUCTIONS, K212, DP	TK2548	070-5554-04
				1	KEY, SKT HD SCR: 0.188 L-SHAPED		ORDER BY DESCRIPTION

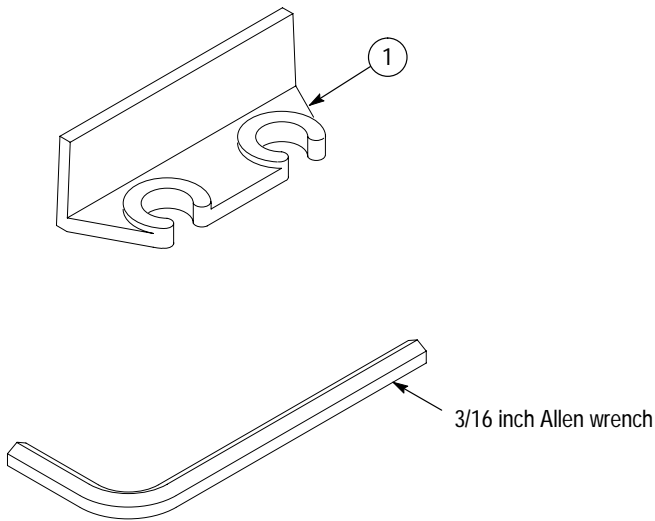


Figure 17: Standard accessories