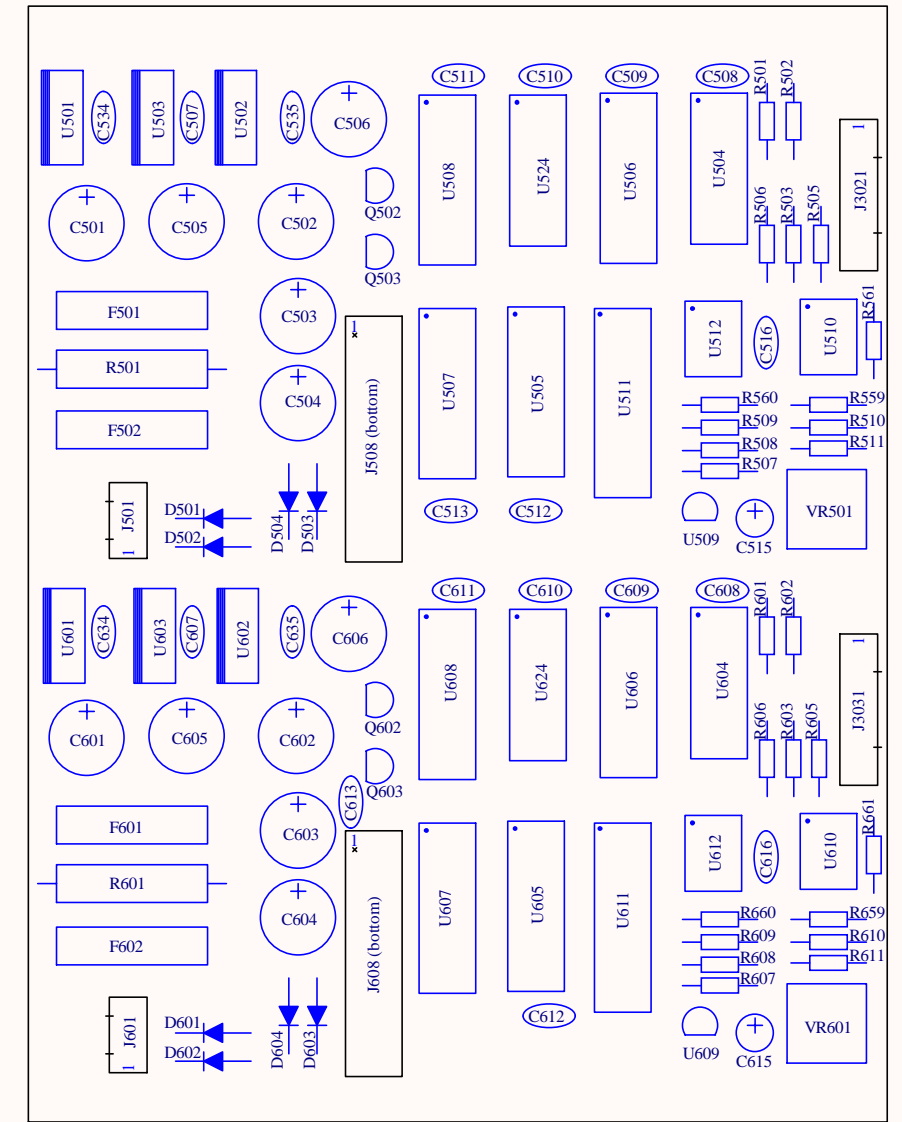
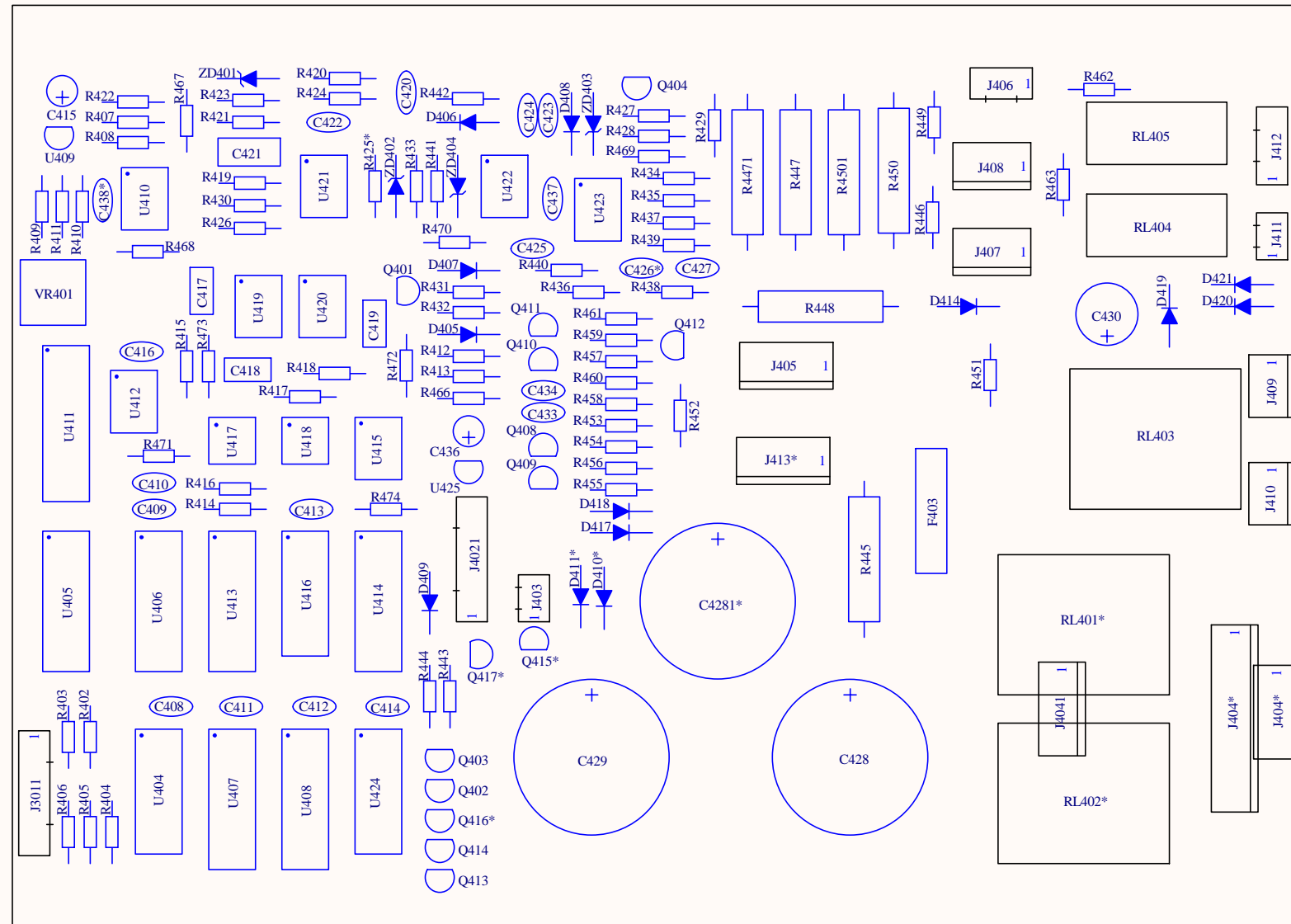


Output1 & Output2 Mainboard (Power, Analog Ctrl)

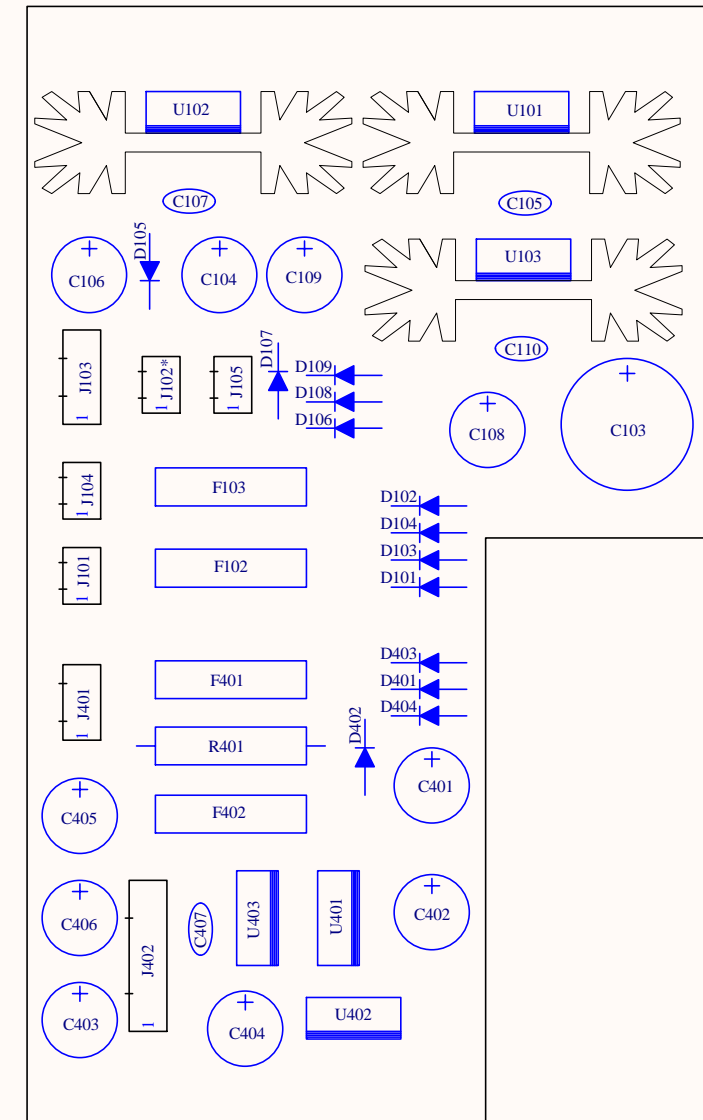


Output1 & Output2 Daughterboard (Digital comm., DAC and Aux. supplies)

Title			
<b>Tektronix PS2521G</b>			
Size	Number	Revision	
Tabloid	Layout1.SchDoc		
Date:	4/28/2017	Sheet 1 of	11
File:	D:\DataD\...\Layout1.SchDoc	Drawn By:	Sultanu



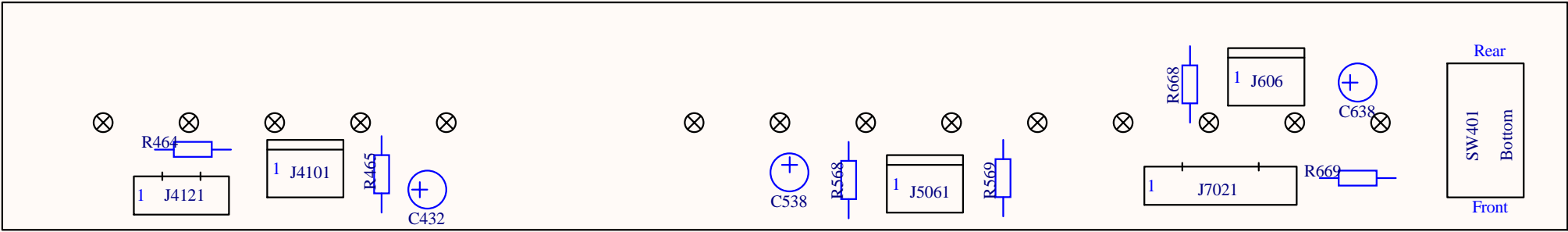
Output3 Mainboard (Power, Analog Ctrl, Digital comm. and DAC)



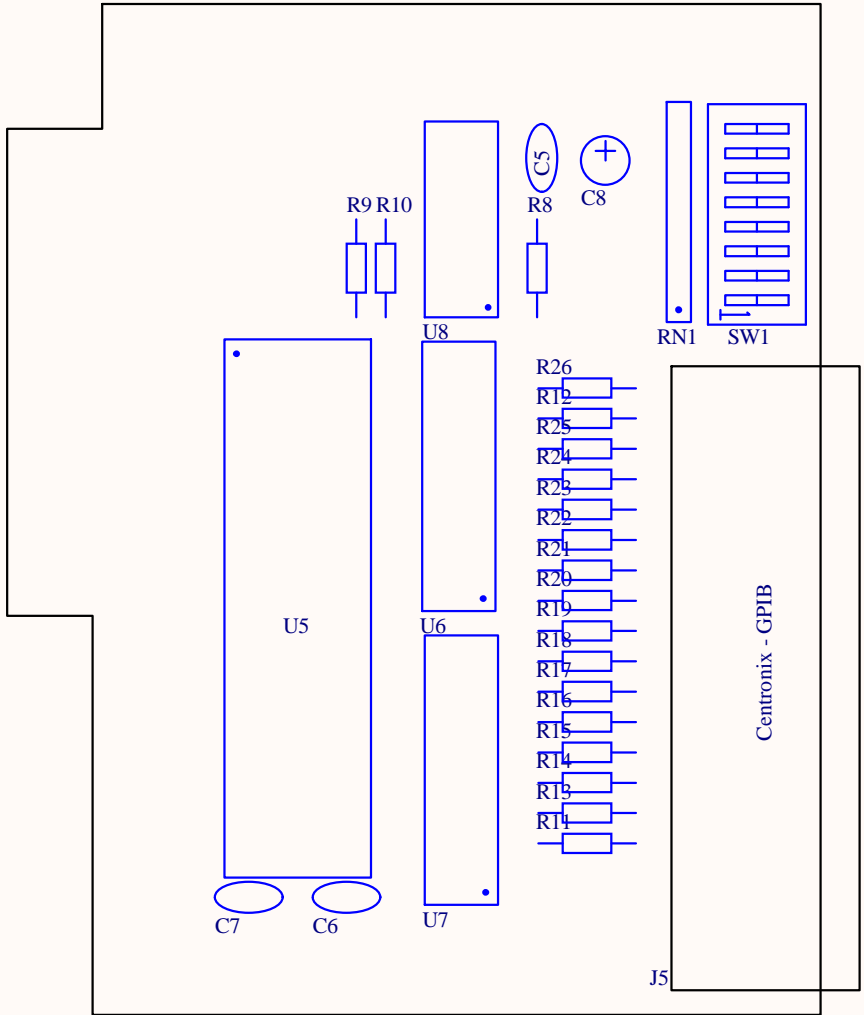
Output3 Daughterboard (Aux supplies and Digital Ctrl. supplies)

Title			Tektronix PS2521G		
Size	Number	Revision			
Tabloid	Layout2.SchDoc				
Date:	4/28/2017	Sheet 2 of	11		
File:	D:\DataD\...\Layout2.SchDoc	Drawn By:	Sultanu		

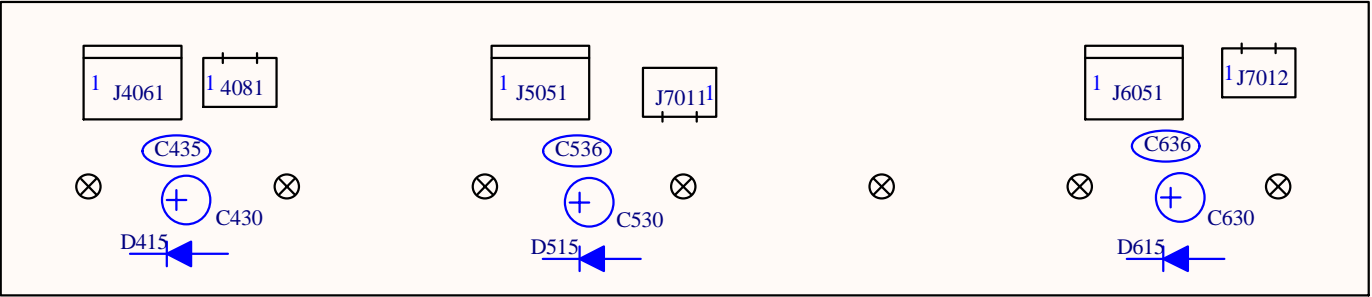




Rear Terminals board

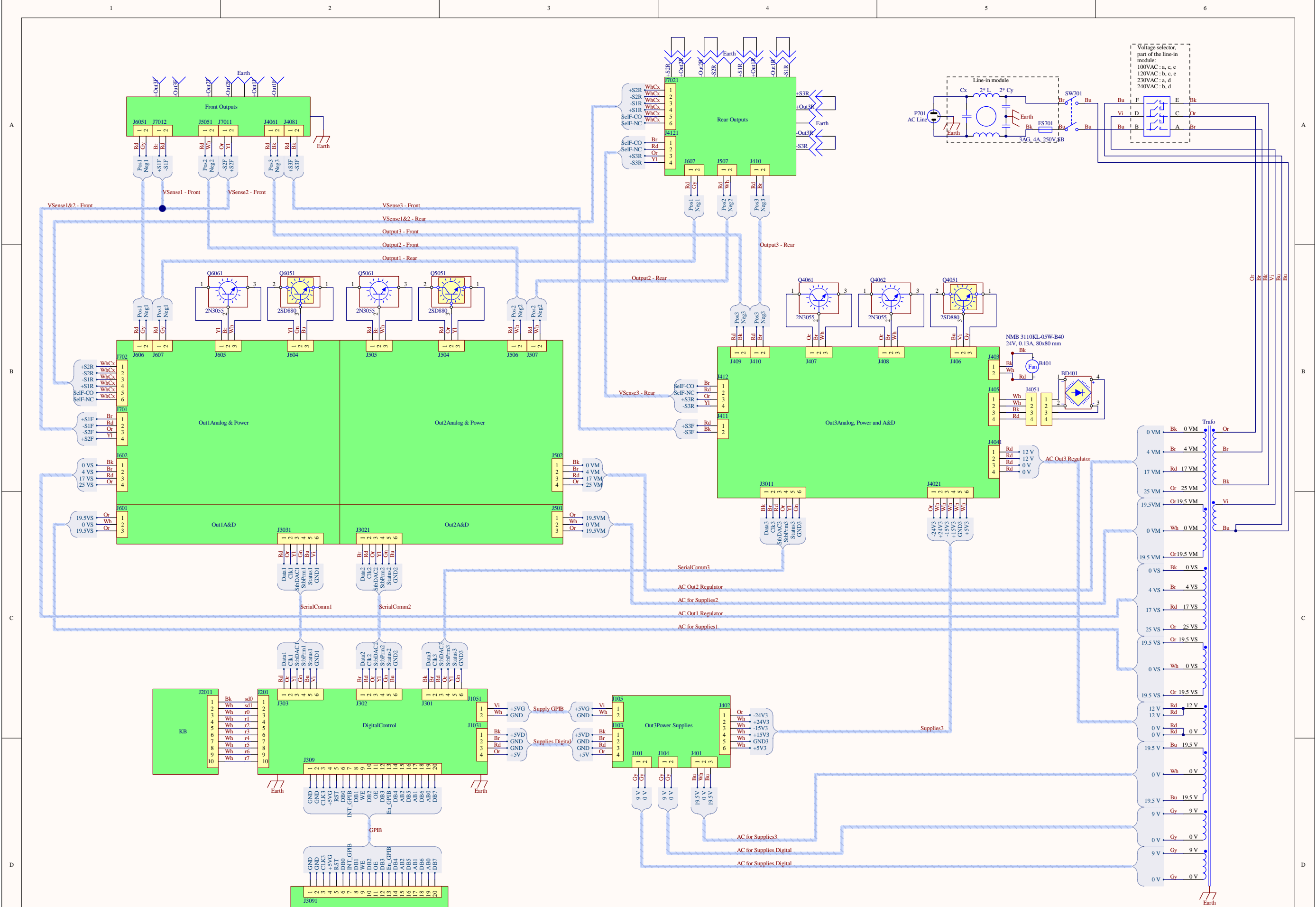


GPIB interface board

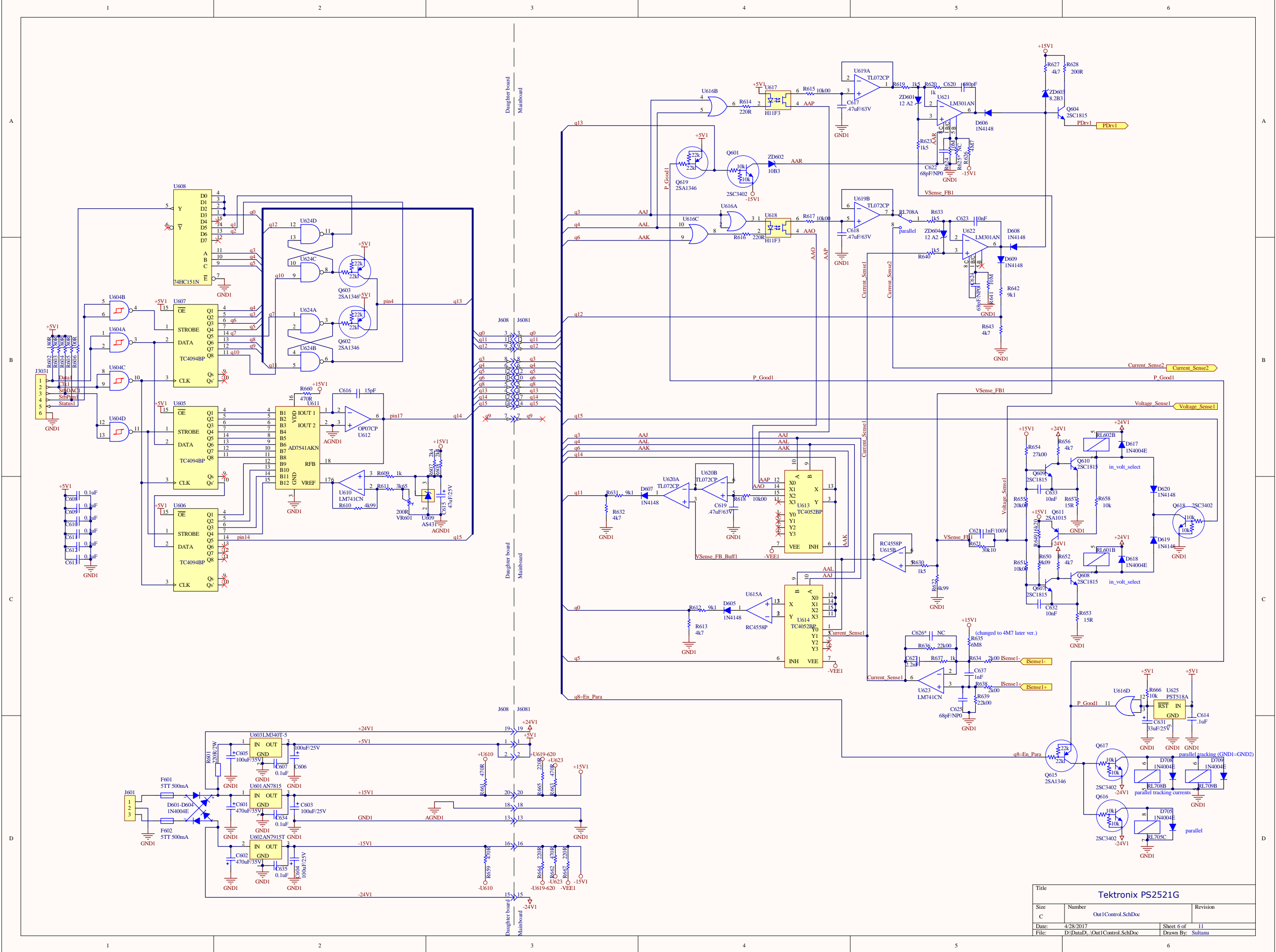


Front Terminals board

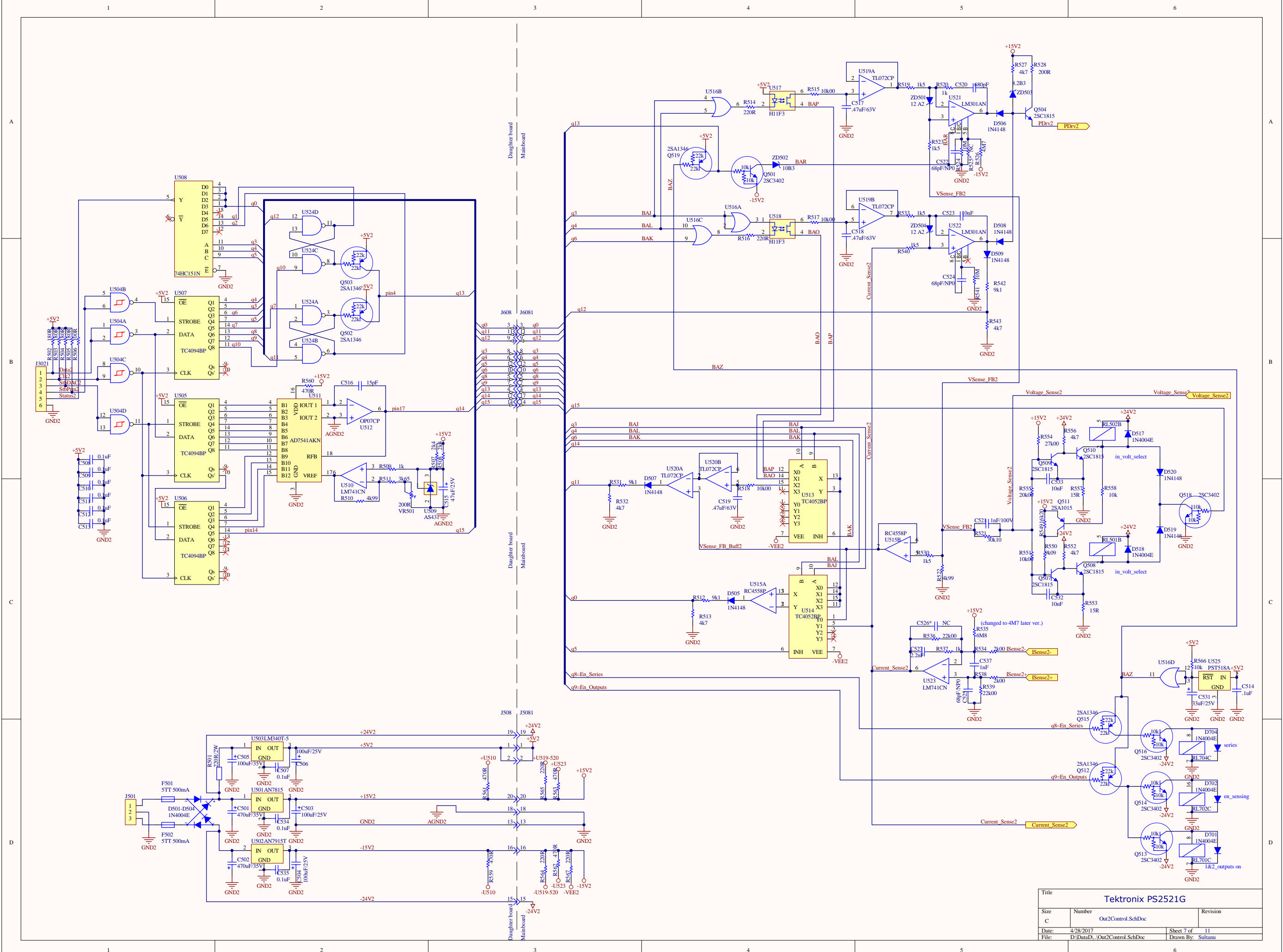
Title			Tektronix PS2521G		
Size	Number	Revision			
Letter	Layout4.SchDoc				
Date:	4/28/2017	Sheet 4 of	11		
File:	D:\DataD\...\Layout4.SchDoc	Drawn By:	Sultanu		



Title			
<b>Tektronix PS2521G</b>			
Size	Number	Revision	
C	PS2521G_Top.SchDoc		
Date:	4/28/2017	Sheet 5 of	11
File:	D:\DataD\...PS2521G_Top.SchDoc	Drawn By:	Sultanu

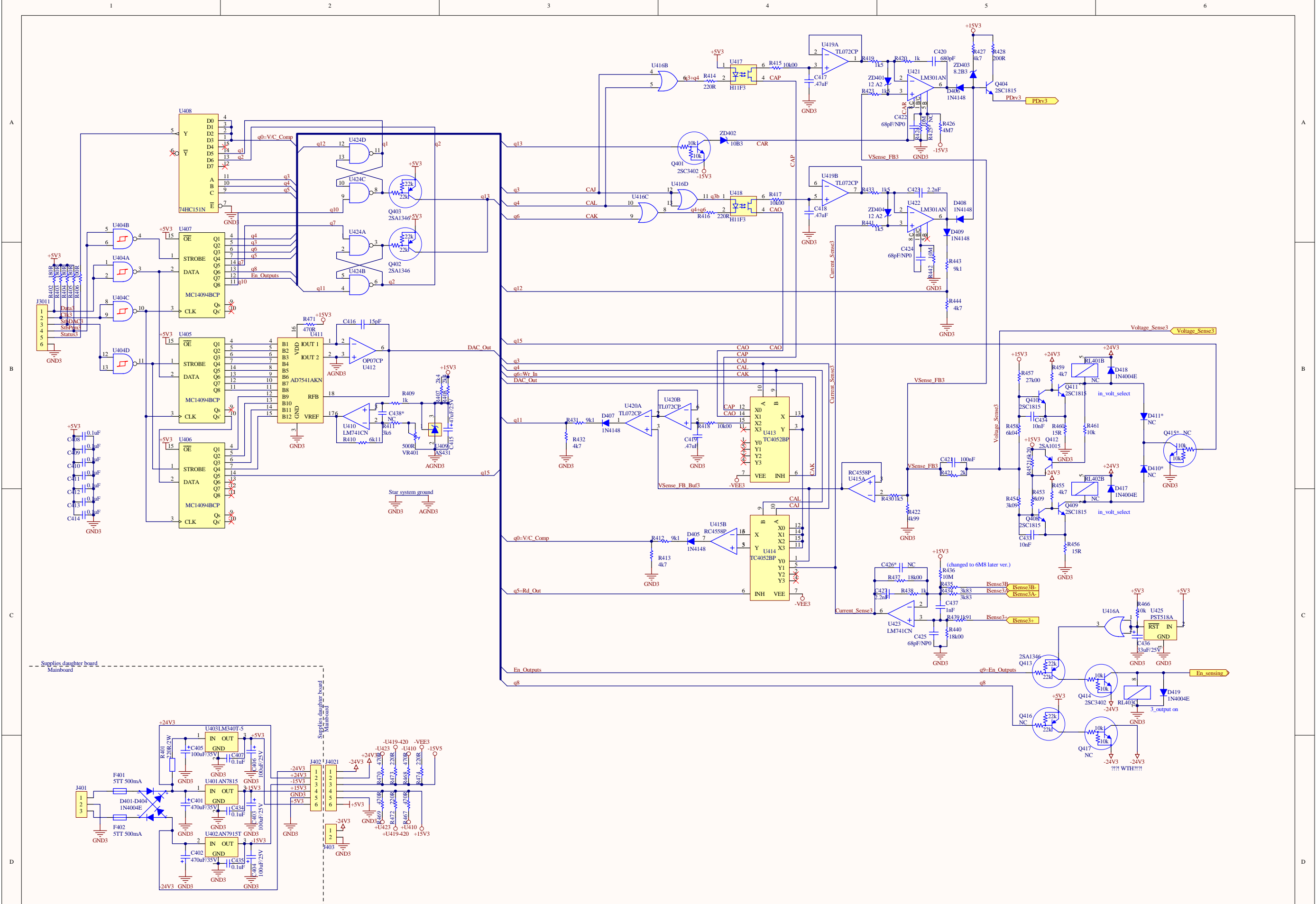


Title			
Tektronix PS2521G			
Size	Number	Revision	
C	Out1Control.SchDoc		
Date:	4/28/2017	Sheet 6 of	11
File:	D:\Data\...Out1Control.SchDoc	Drawn By:	Sultau



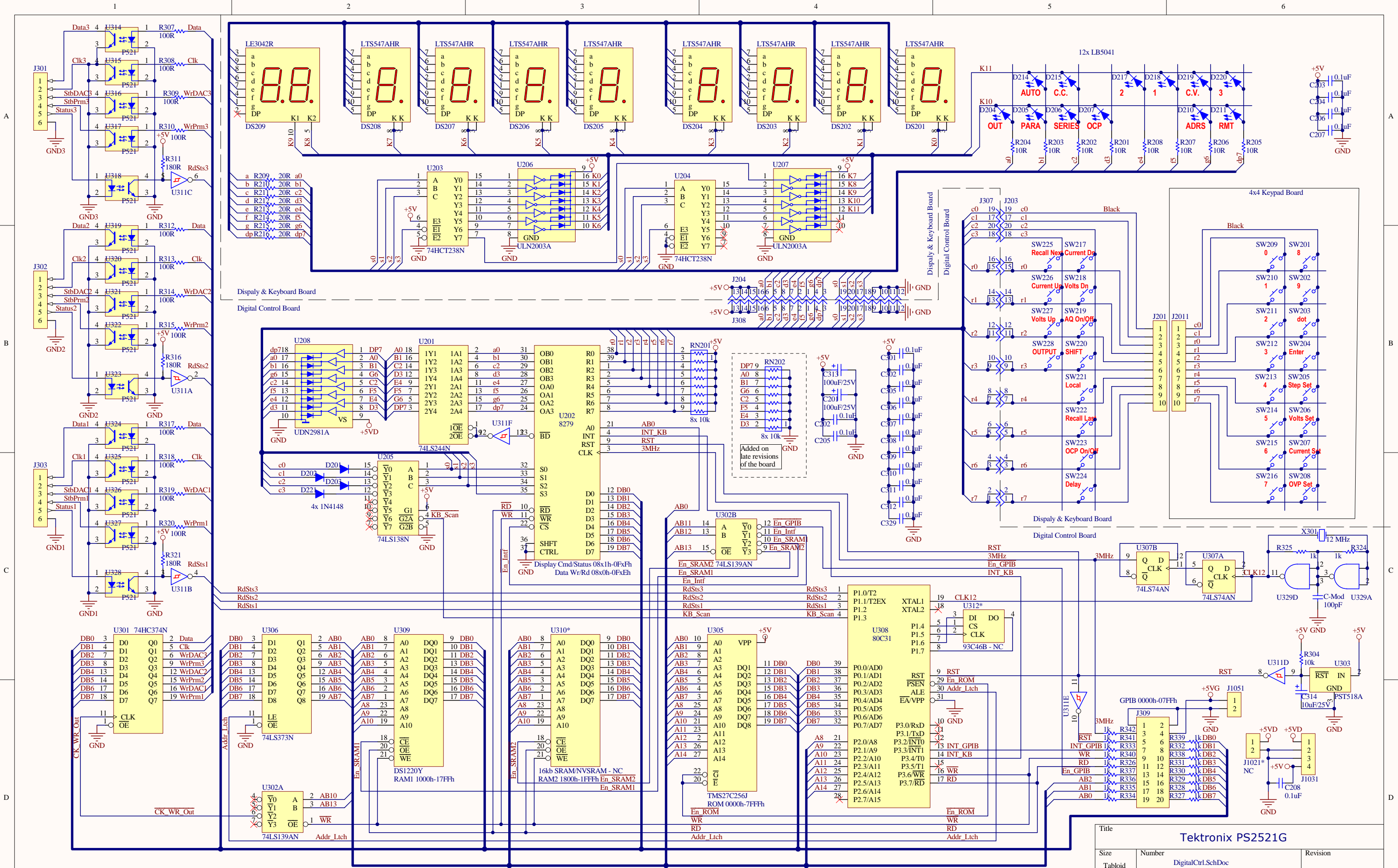
Title			
Tektronix PS2521G			
Size	Number	Revision	
C	Out2Control.SchDoc		
Date:	4/28/2017	Sheet 7 of	11
File:	D:\Data\...Out2Control.SchDoc	Drawn By:	Sultau



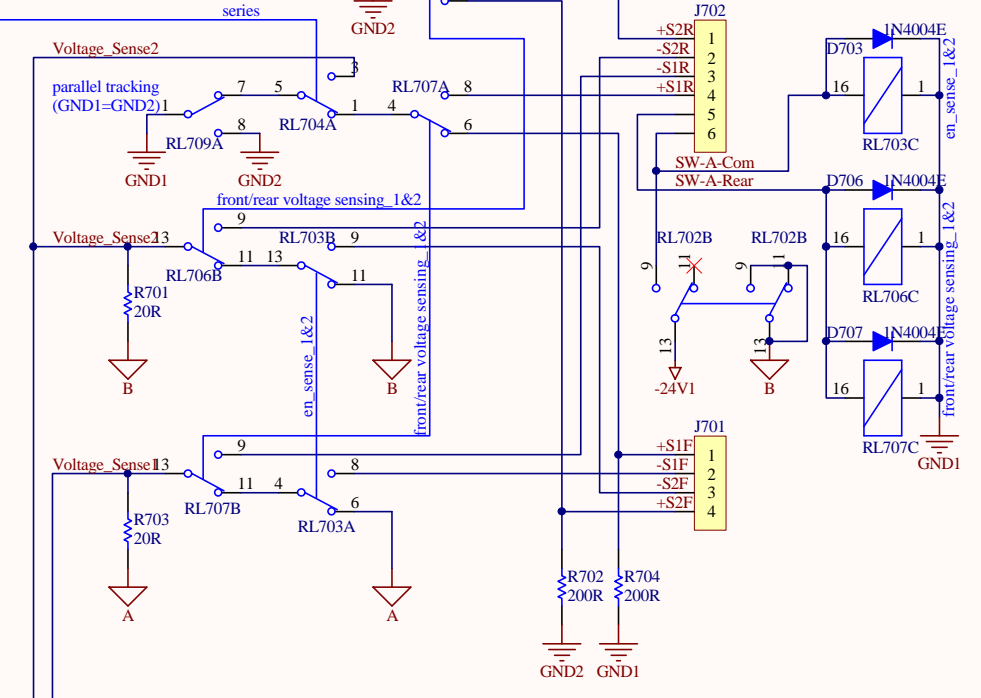
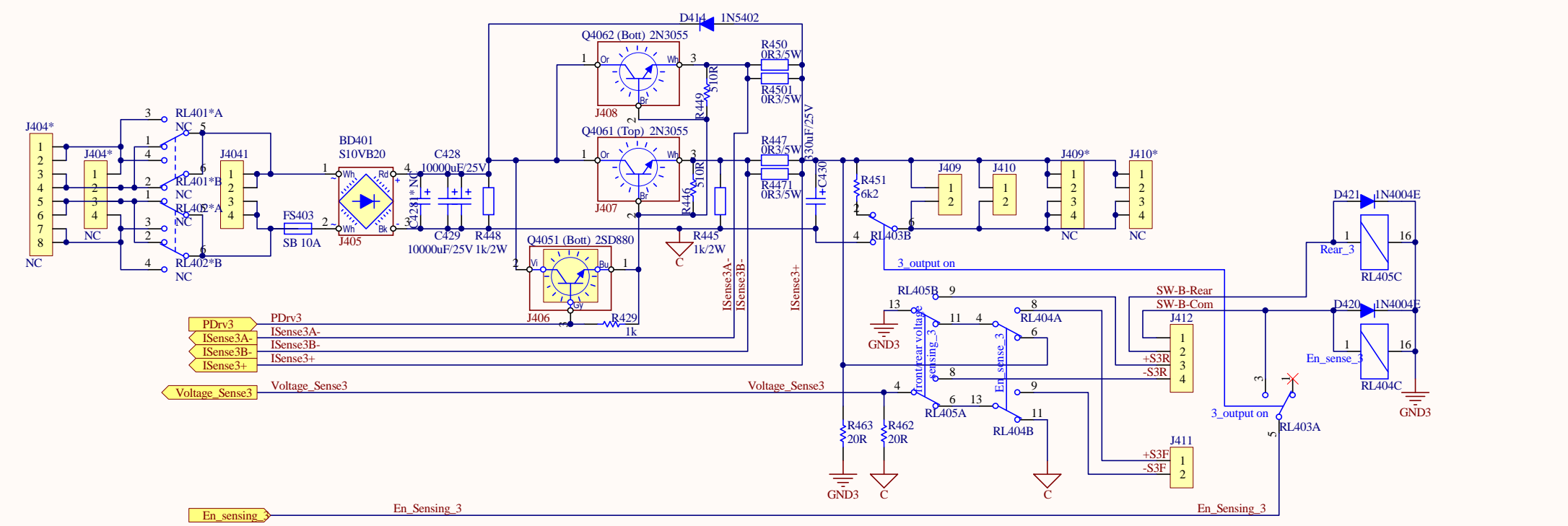
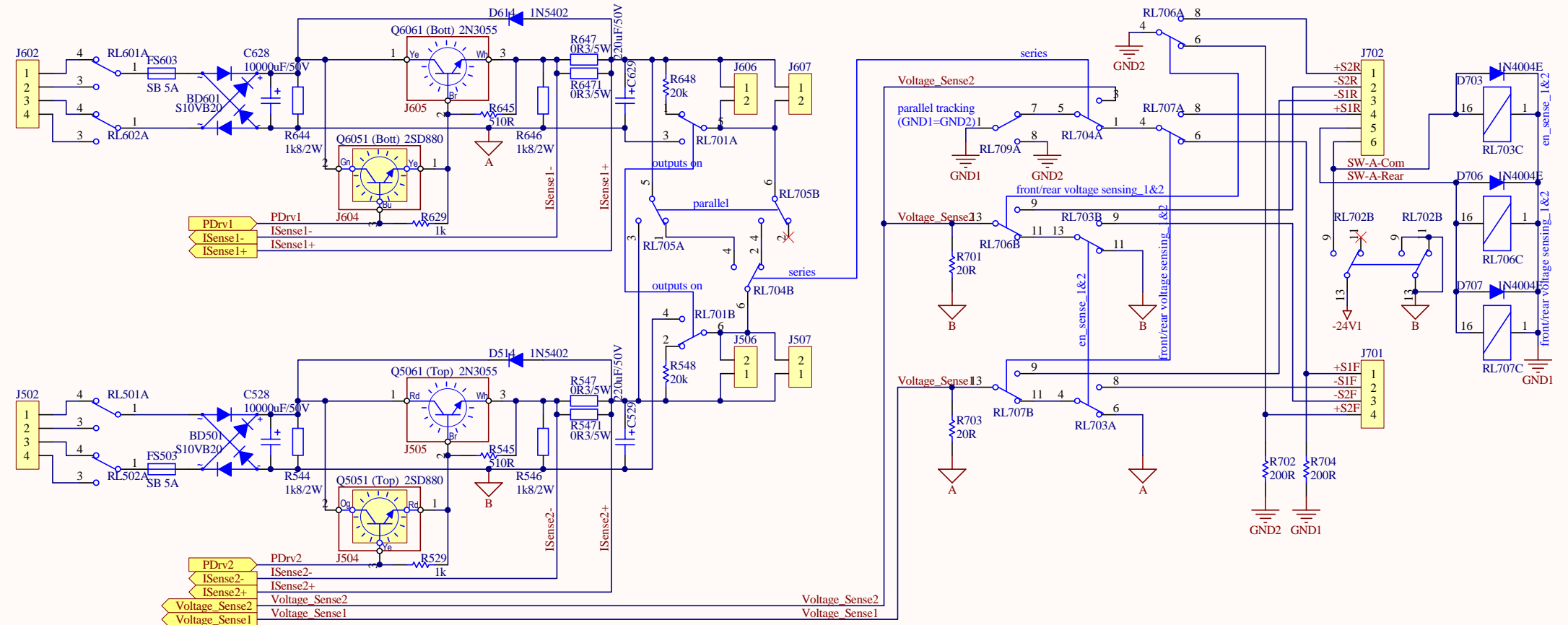


Title			
Tektronix PS2521G			
Size	Number	Revision	
C	Out3Control.SchDoc		
Date:	4/28/2017	Sheet 8 of	11
File:	D:\Data\...Out3Control.SchDoc	Drawn By:	Sultanu

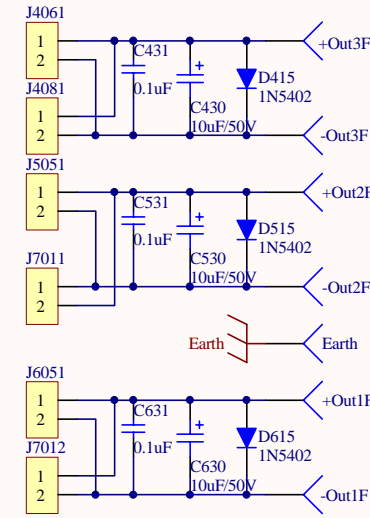
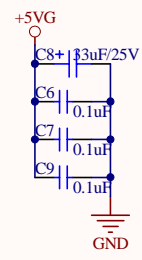
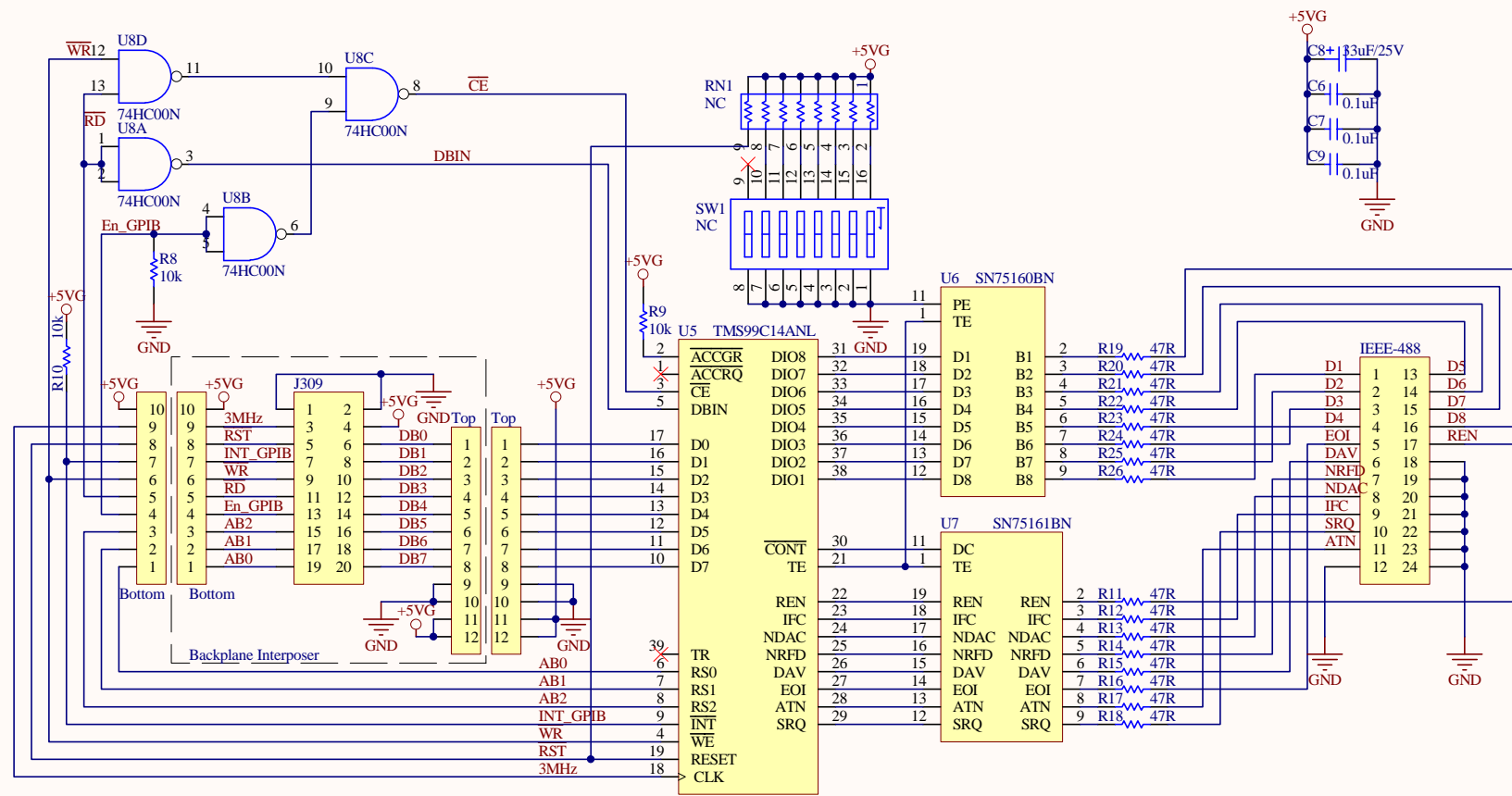




Title			Tektronix PS251G		
Size	Number	Revision			
Tabloid	DigitalCtrl.SchDoc				
Date:	4/28/2017	Sheet 9 of	11		
File:	D:\DataD\digitalCtrl.SchDoc	Drawn By:	Sultanu		



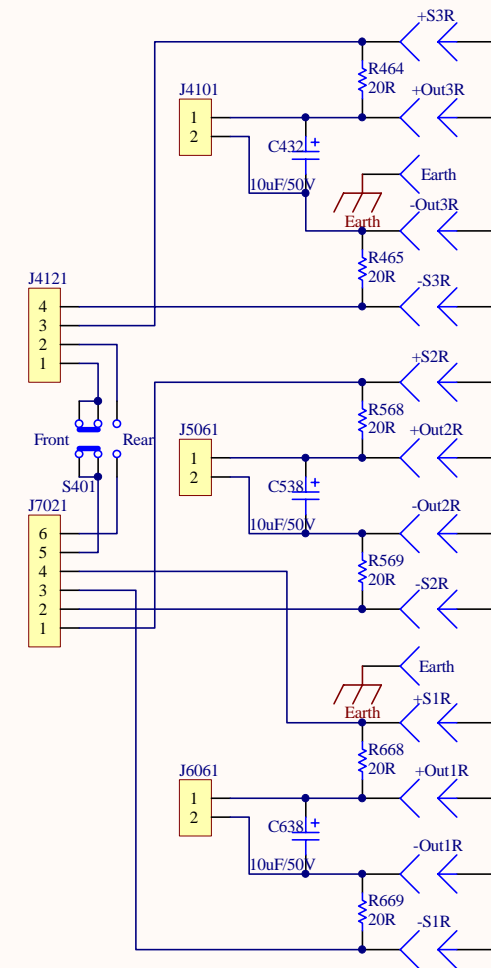
Title			Tektronix PS2521G		
Size	Number	Revision			
Tabloid	PowerSectionv2.SchDoc				
Date:	4/28/2017	Sheet 10 of	11		
File:	D:\DataD\PowerSectionv2.SchDoc	Drawn By:	Sultanu		



GPIB Board  
Front Terminal Board

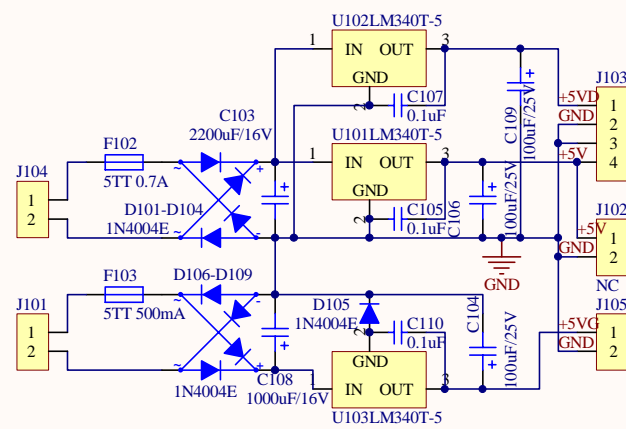
Front Terminal Board  
Supplies daughter board

GPIB Board  
Rear terminal board



Supplies daughter board  
Rear terminal board

GPIB Board  
Supplies daughter board



Title			Tektronix PS2521G		
Size	Number	Revision			
Tabloid	Various_GPIB_Front_Rear.SchDoc				
Date:	4/28/2017	Sheet 1 of	11		
File:	D:\DataD\...\Various_GPIB_Front_Rear.SchDoc			Drawn By:	Sultanu