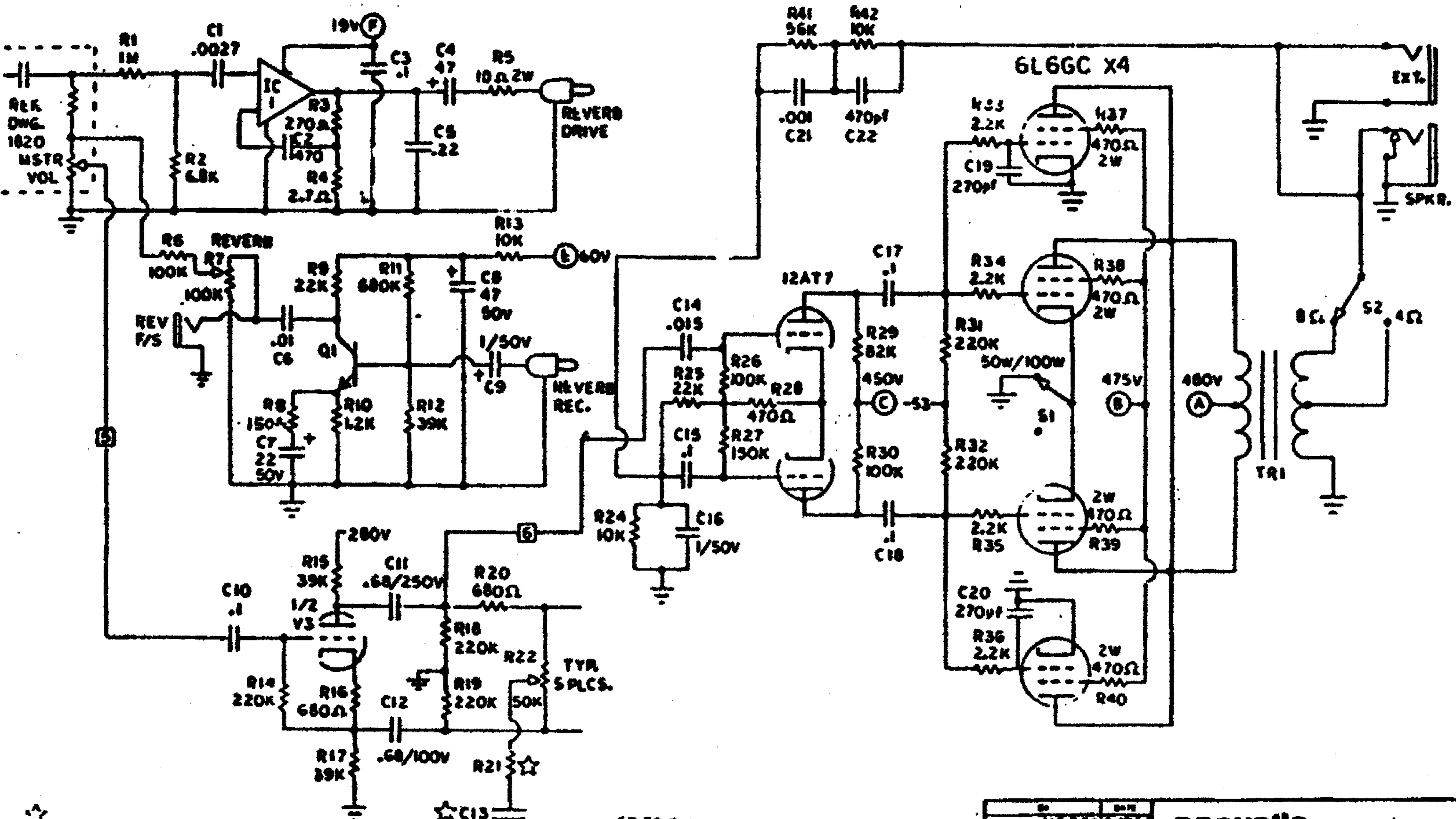


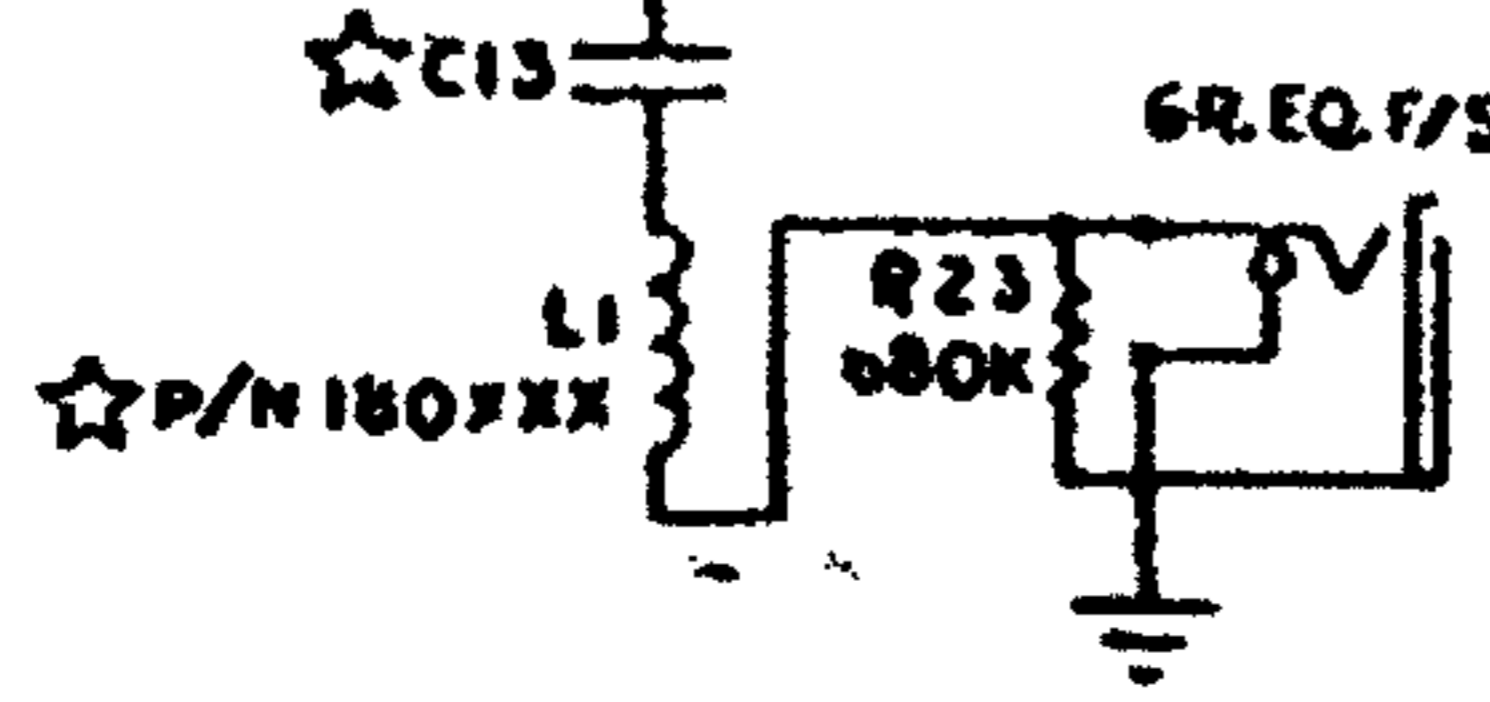
- NOTES:
1. ALL CAPACITORS IN  $\mu\text{F}$  UNLESS OTHERWISE NOTED.
  2. ALL RESISTORS 1/2 WATT UNLESS OTHERWISE NOTED
  3. ○ REF. PWR SUP SCHEM. (1819).
  4. □ REF PCB CALLOUTS.
  5. ALL TUBES ARE 12AX7A/ 7028

BY	DATE	<b>acoustic</b>	
DESIGNED BY	DATE		
DRAWN BY		TITLE	
CHECKED BY		PREAMP SCHEMATIC	
APPROVED BY		MODEL G100T	
REV	CHANGED BY	DATE	REV
1			1820
DO NOT SCALE THIS PRINT			

LM383 IC

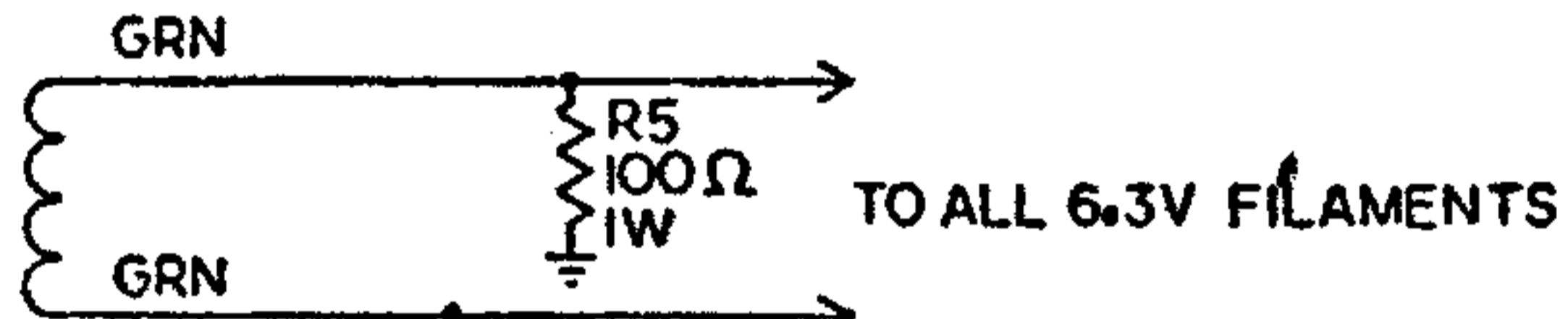
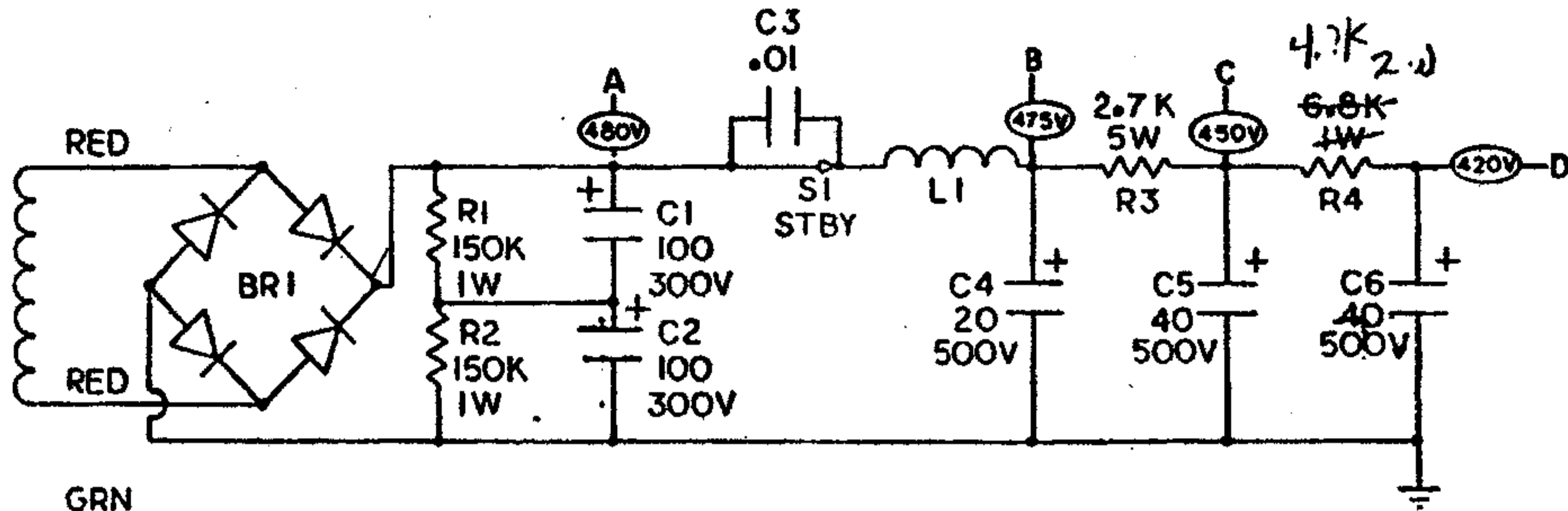


FREQ.	100	220	800	2.5K	5K
L1	.007	.006	.005	.003	.012
R21	1.2K	820	620	1K	1.2K
C13	.68	.15	.039	.015	.0068

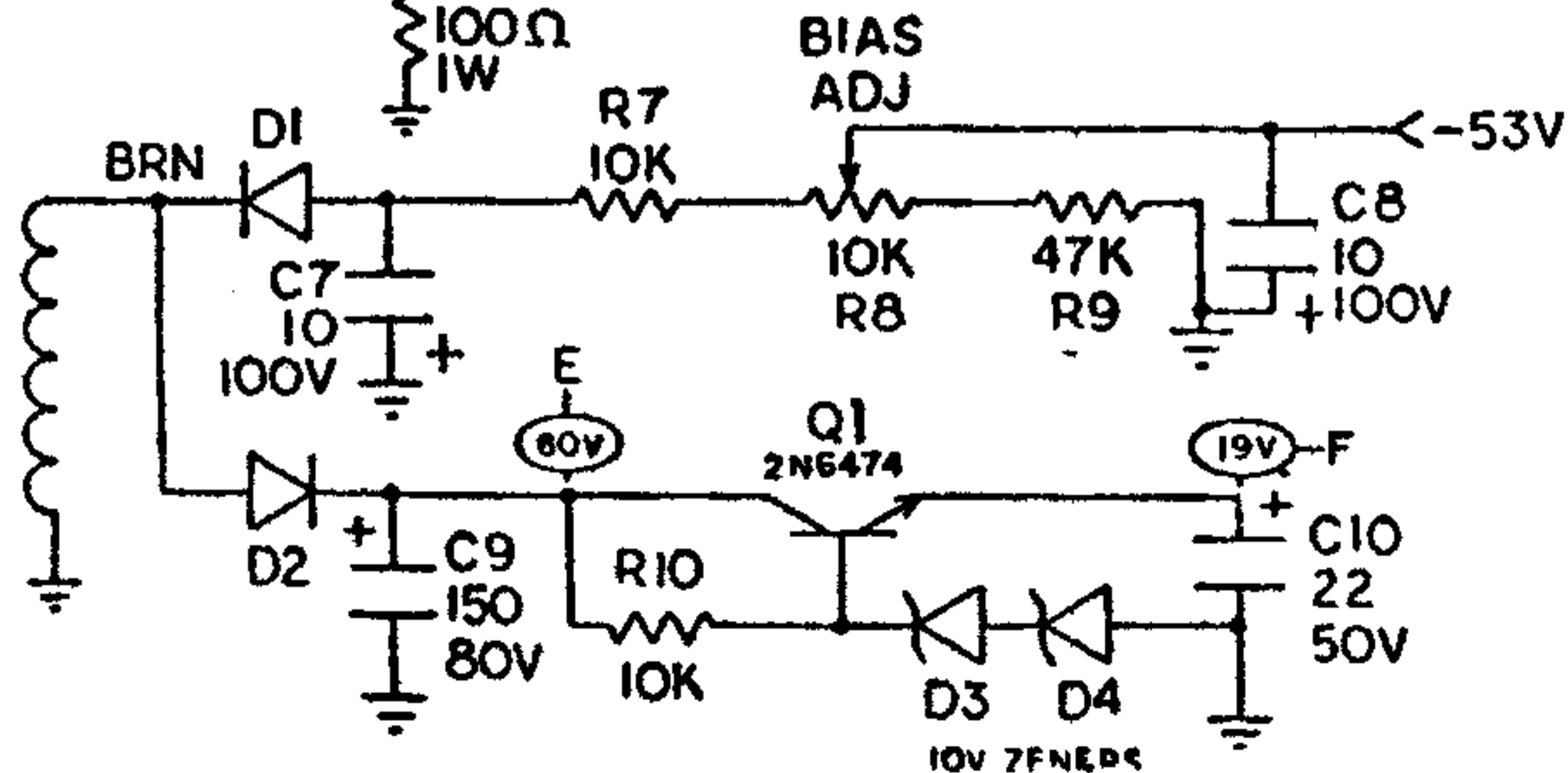


- NOTES:
1. ALL CAPACITORS IN  $\mu$ F UNLESS OTHERWISE NOTED.
  2. ALL RESISTORS 1/2 WATT UNLESS OTHERWISE NOTED.
  3.  $\odot$  REF. PWR. SUP. SCHEM. (1010)
  4.  $\square$  REF. PCB CALLOUTS.
  5. 61-000 200

<p>DESIGNED BY: <u>W. R. B. / J. T. S.</u></p> <p>APPROVED BY: <u>W. R. B. / J. T. S.</u></p>		<p><b>acoustic control corp</b></p> <p>500 Ave. California 91400</p>	
<p>PROPRIETARY INFORMATION</p> <p>Any disclosure of this information to any other person without the written consent of Acoustic Control Corp. is strictly prohibited.</p>		<p>TITLE: <b>SCHEMATIC</b></p> <p><b>NEVERB, GR. EQ., POWER AMP</b></p> <p><b>MODEL 910DT</b></p>	
DATE:	REVISED BY:	DATE:	REVISED BY:
8			
PART NO. <b>1821</b>			
DO NOT SCALE THIS PART			



- NOTES:
1. ALL CAPACITORS IN MFD.
  2. ○ DC VOLTAGE FROM GND., NO SIG. APPLIED.
  3. ALL RESISTORS 1/2W UNLESS NOTED OTHERWISE.



97 96 95 94 93 92 91 90 89 88 87 86 85 84 83 82 81 80 79 78 77 76 75 74 73 72 71 70 69 68 67 66 65 64 63 62 61 60 59 58 57 56 55 54 53 52 51 50 49 48 47 46 45 44 43 42 41 40 39 38 37 36 35 34 33 32 31 30 29 28 27 26 25 24 23 22 21 20 19 18 17 16 15 14 13 12 11 10 9 8 7 6 5 4 3 2 1	Acoustic Control Corp Van Nuys, California 91410 TITLE <b>POWER SUPPLY SCHEMATIC</b> <b>MODELS Q907 &amp; Q1007</b> DATE DRAWN BY 1819 CHECKED BY 1819
---	---