

ASTATIC

World Famous Radio Mics

D104-M6B / D104-M6C TRANSISTORIZED COMMUNICATIONS MICROPHONE

Description

The **D104-M6** series microphones are quality performance field effect amplified "power" microphones for amateur, citizen band, mobile, aircraft and marine applications. The housing of the **D104-M6B** is molded black ABS with a chrome plated grille screen (pictured at right). The housing of the **D104-M6C** is molded black ABS, the front half chrome plated and the grille screen chrome plated.

An output impedance is compatible with the inputs of almost all commercial transceivers and an externally adjustable high gain amplifier ensures desired modulation level. The **D104-M6** has an easily accessible volume control so that the correct modulation level can be set for each operators voice. The **D104-M6** preamplifier is powered by a readily available, easily replaced, 9 volt battery. The **D104-M6** has a six wire coil cord which allows for relay, electronic or virtually any type hookup with almost any transceiver. The audio line is open during receive.



Specifications

- Type: Transistorized Ceramic
- Frequency Response: See Frequency Response Curve on other side
- Output Level: -44 dB below 1 volt per microbar at 1 kHz into 1 megohm load
- Output Adjustment: Approximately 40 dB range
- Impedance: 5000 ohms max., recommended load of 100 ohms and up; performs well over entire impedance range up to open circuit
- Connector: Available stripped and tinned or configured with 4 pin (DX1) or 5 pin (DX2) DIN.
- Cable: Five conductor (one conductor shielded) coiled cord that extends to 2.3 m (7 1/2 ft.). Durable strain relief bushing protects against cable breakage at microphone housing.
- Housing: Durable high impact molded black ABS (front housing chrome plated on D104-M6C)
- Screen: Chrome Plated
- Battery: Standard 9 Volt Battery (Not Included)
- Size: 86 mm (3 3/8") high x 60.5 mm (2 3/8") wide x 27 mm (1 1/16") deep
- Weight: 220 grams (7 3/4 oz.)

ASTATIC Quality

All **D104-M6B** microphones are audio tested and inspected prior to shipment. Our absolute commitment to quality insures that **ASTATIC** microphones remain the **Best Value** in today's competitive industry.

CUT HERE

WARRANTY

Astatic Mobile Communications are warranted for one year from date of purchase by Omnitronics, LLC, to be free from defects in material and workmanship. In event of such defect, product will be repaired or replaced at Omnitronics, LLC discretion with a new unit of equal or superior value. This will be at no charge if delivered prepaid to Omnitronics, LLC, together with the proof of purchase and a Return Authorization number. The unit will be returned promptly prepaid. Warranty excludes exterior finish, appearance items, or malfunction due to abuse or operation under other than specified conditions. Consequential or incidental damages are excluded. Serial number of product and original purchaser's name must be registered immediately after purchase. Please use the attached registration form for this purpose.

SHIPPING INSTRUCTIONS

Please call our customer service department at 440-593-1111 for a pre-approved return authorization number and carefully repack the unit and return it to:
Omnitronics, LLC, P.O. Box 120, Conneaut, OH 44030

ALL RETURNS MUST HAVE A PRE-APPROVED RETURN AUTHORIZATION NUMBER OR IT WILL BE REFUSED. If outside the United States, contact your dealer or distributor for warranty details.

ASTATIC

World Famous Radio Mics

PURCHASE REGISTRATION

DATE PURCHASED _____ MODEL _____

* PLEASE COMPLETE AND RETURN WITHIN 10 DAYS TO OMNITRONICS, LLC, P.O. BOX 120 CONNEAUT, OH 44030 *

NAME _____ ADDRESS _____

CITY _____ STATE _____ ZIP _____ PHONE NUMBER _____

PURCHASED FROM _____ ADDRESS _____

CITY _____ STATE _____ ZIP _____ PHONE NUMBER _____

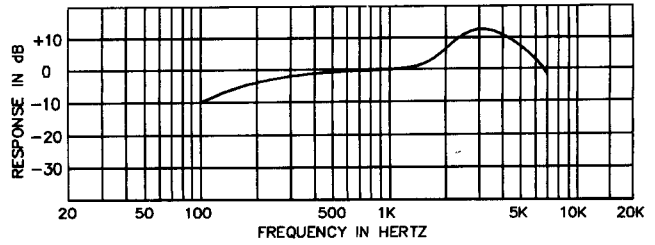
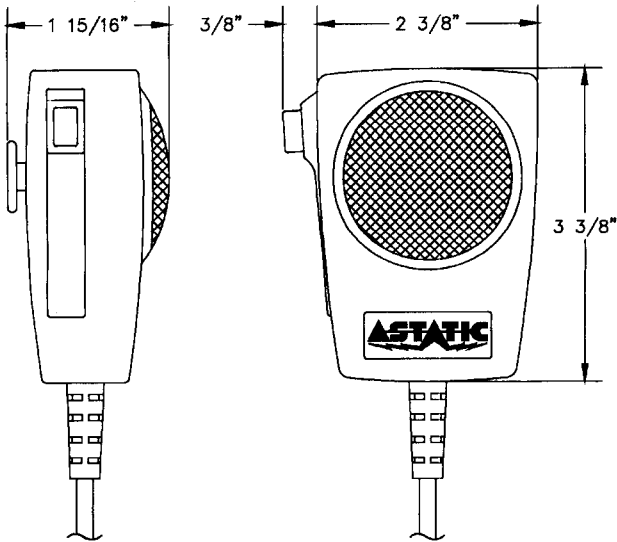
APPLICATION WHERE MICROPHONE IS USED:

C.B. AMATEUR RADIO LAND MOBILE, MARINE, BUSINESS RADIO OTHER

COMMENTS: (May we reprint your comments: YES NO)

C
U
T
H
E
R
E

SPECIFICATIONS FOR D104-M6B / D104-M6C



Battery Replacement

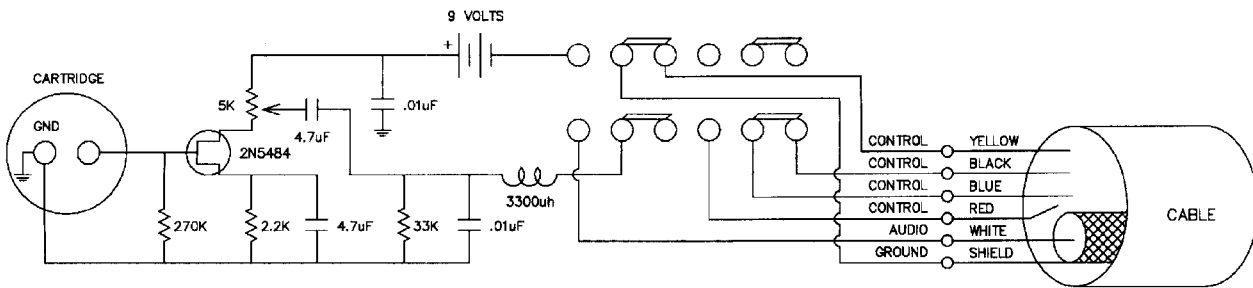
Remove the rear housing by removing the four screws. Carefully lift off the rear housing. Unsnap the battery from the battery clips located on the small vertical pc board and install a new battery. Note that the wires from the coil cord should lay on top of the battery after it is installed. Carefully replace the rear housing ensuring the gain control knob passes through the hole in the housing and fasten with the four screws previously removed. Be careful not to overtighten the four screws.

Gain Adjustments

At a speaking distance of approximately 2 inches (or the position you prefer) with the gain control in the rear housing turned fully counterclockwise, adjust the gain control for the correct modulation level. Turning the gain control clockwise increases the gain. Once properly set, the gain control should seldom require resetting under equivalent operating conditions.

Connector-Cable Clamping

If the microphone plug you have selected for your hookup requirements does not have a cable clamp suitable for our small diameter high quality microphone cable, use tubing as supplied by Astatic. Simply slip tubing over cable prior to soldering of lead wires. Position it to ensure proper clamping of cable and tubing by the connector.



-----CUT HERE-----

PLACE IN ENVELOPE AND RETURN TO:

OMNITRONICS, LLC
P.O. BOX 120
CONNEAUT, OHIO 44030-0120

C
U
T

H
E
R
E

1
YEAR
LIMITED
WARRANTY