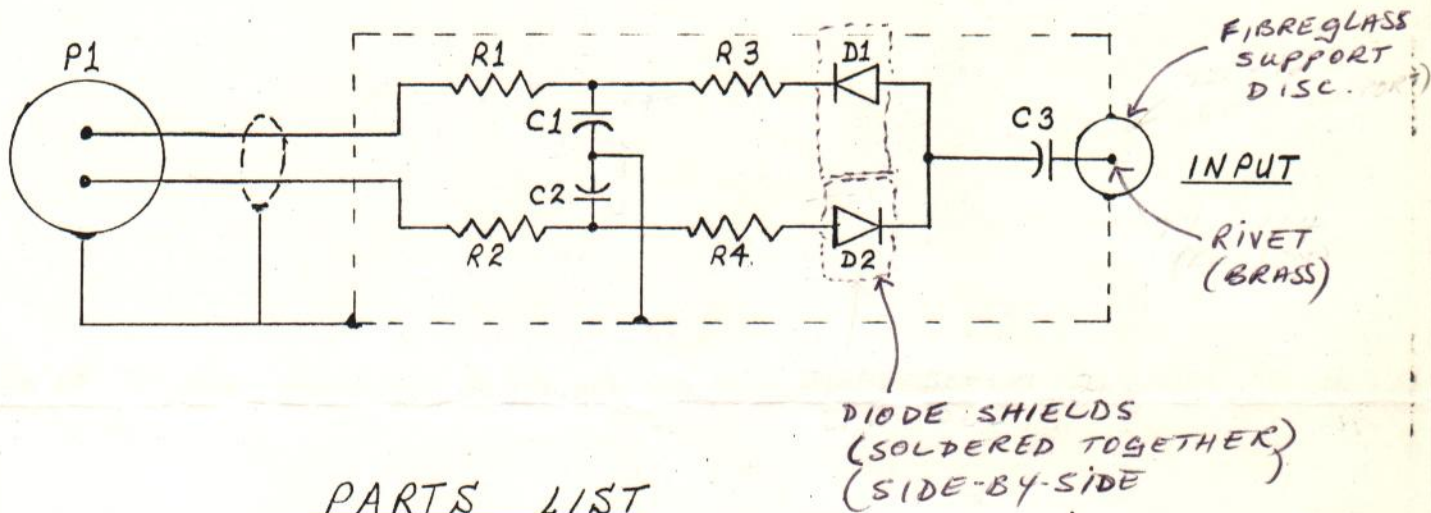


# BOONTON ELECTRONICS CORP.

## R.F. PROBE MODEL 91-12F



### PARTS LIST

- |      |                                    |
|------|------------------------------------|
| C1,2 | - CAPACITOR, 0.001 $\mu$ F/500VDC  |
| C3   | - CAPACITOR, 0.001 $\mu$ F/500VDC  |
| R1,2 | - RESISTOR, 330 ohms, 5%, 1/8 W    |
| R3,4 | - RESISTOR, 150 ohms, 5%, 1/8 W    |
| D1,2 | - DIODE, MATCHED PAIR              |
| P1   | - CONNECTOR, AMPHENOL TYPE 80-MC2M |

B.E.C. P/N

224 - ~~115~~  
185

224 - 116

530 - 034

- CABLE IS SPEC'D BY MARCONI IN MONTREAL. AVAILABLE IN ANY LENGTH.

- THE DIODE SHIELDS ARE COPPER TUBING ABOUT THE SAME LENGTH AS THE DIODE'S BODY. THE TUBING'S INSIDE DIAMETER IS SLIGHTLY LARGER THAN THE DIAMETER OF THE DIODE'S BODY.

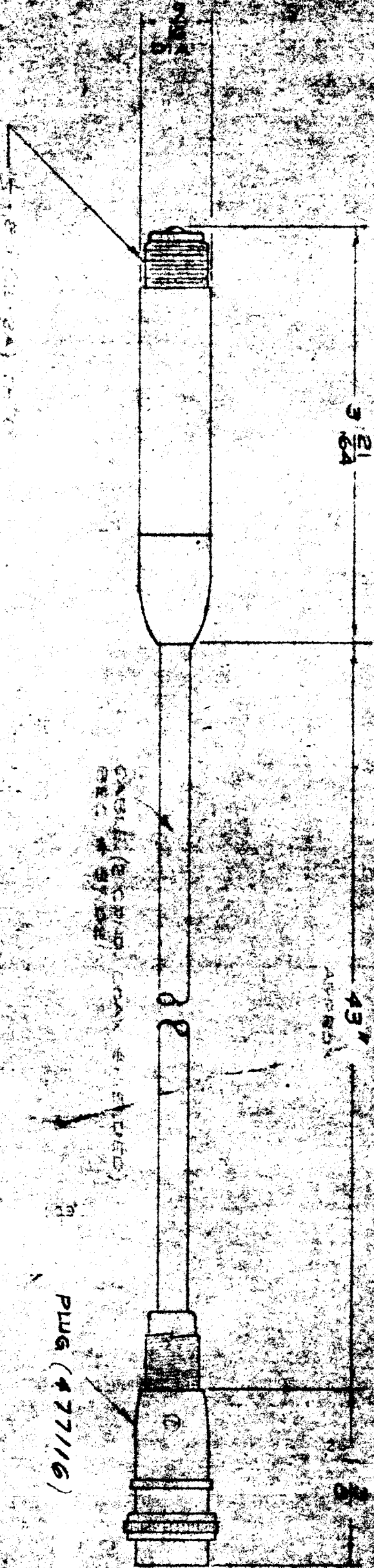
**PARTS LIST** RF PROBE, COMPLETE **ASS'Y**  
**INSTRUMENT** U/W 91C, 91CA, & 91H RF VOLTMETERS  
**JOB** 4035 **ISSUE**        **TO**        **ENG'R. APP.** MRN  
**ISSUE DATE**        **MODEL NO.** 91-12F

**NO.** 091671 **ISSUE** A  
**PAGE** 1 **OF** 2  
**DWG. SIZE** C  
**DATE** 1-22-74

ITEM	SIZE	PART NO.	QTY.	DESCRIPTION	REF. SYM.	E.C.N.
1						
2						
3	P/L	091217	1	RF PROBE HOUSING ASSEMBLY		
4						
5		224116	1	CAPACITOR, 0.001 $\mu$ F MUCON #10497	C3	
6		224185	2	CAPACITOR, 0.001 $\mu$ F MEPCO CV15GC102M	C2, C3	
7						
8		300005	2	RESISTOR, 330 $\Omega$ 1/4W 10% AB-CB	R1, R2	
9		331060	2	RESISTOR, 120 $\Omega$ 1/8W 5% AB-BB	R3, R4	
10		331061	2	*RESISTOR, 130 $\Omega$ 1/8W 5% AB-BB	R3, R4	
11		331062	2	*RESISTOR, 150 $\Omega$ 1/8W 5% * AB-BB	R3, R4	
12		331063	2	*RESISTOR, 160 $\Omega$ 1/8W 5% AB-BB	R3, R4	
13		331064	2	*RESISTOR, 180 $\Omega$ 1/8W 5% AB-BB	R3, R4	
14		331065	2	*RESISTOR, 200 $\Omega$ 1/8W 5% AB-BB	R3, R4	
15		331066	2	*RESISTOR, 220 $\Omega$ 1/8W 5% AB-BB	R3, R4	
16						
17				*ONE OF THE ABOVE ITEMS WILL BE USED AS DETERMINED BY THE CALIBRATION DEPT.		
18						
19		530034	2	DIODE, SELECTED	D1, D2	
20	A	812063	2	DIODE, SHIELD		
21						
22						
23	A	770123	1	DISC, INSULATOR		
24		787104	1	RIVET STIMPSON #H204		
25						

PARTS LIST RF PROBE COMPLETE ASS'Y NO. 091671 ISSUE A  
 INSTRUMENT U/W 91C, 91CA & 91H RF VOLTMETER PAGE 2 OF 2  
 JOB 4035 ISSUE \_\_\_\_\_ TO \_\_\_\_\_ ENG'R. APP. MZW DWG. SIZE C  
 ISSUE DATE \_\_\_\_\_ MODEL NO. 91-12F DATE 1-22-74

ITEM	SIZE	PART NO.	QTY.	DESCRIPTION	REF. SYM.	E.C.N.
26						
27	B	812118	1	SLEEVE, HOUSING (MARKED) M/F 812173		
28		-----	1	SCREW, 2-56 x 1/8 BH BR NP		
29						
30						
31	B	839016	REF	RF PROBE, OUTLINE DWG.		
32						
33						
34						
35						
36						
37						
38						
39						
40						
41						
42						
43						
44						
45						
46						
47						
48						
49						
50						



PARTS LIST INDEX ASS'Y NO. 091670 ISSUE A  
 INSTRUMENT PAGE 1 OF 1  
 JOB 4035 ISSUE \_\_\_\_\_ TO \_\_\_\_\_ ENGR. APP. ADW DWG. SIZE \_\_\_\_\_  
 ISSUE DATE \_\_\_\_\_ MODEL NO. 91-12F DATE 1-22-74

ITEM	SIZE	PART NO.	QTY.	DESCRIPTION	REF. SYM.	E.C.N.
1	P/L	091217	1	R.F. PROBE HOUSING ASS'Y.		
2	P/L	091218	1	R.F. PROBE CABLE ASS'Y.		
3	P/L	091671	1	R.F. PROBE ASS'Y.		
4						
5						
6		327-000-000		BOONTON 50Ω RADIAL RESISTOR		
7				FOR 91-8B		
8						
9						
10						
11						
12						
13						
14						
15						
16						
17						
18						
19						
20						
21						
22						
23						
24						
25						