

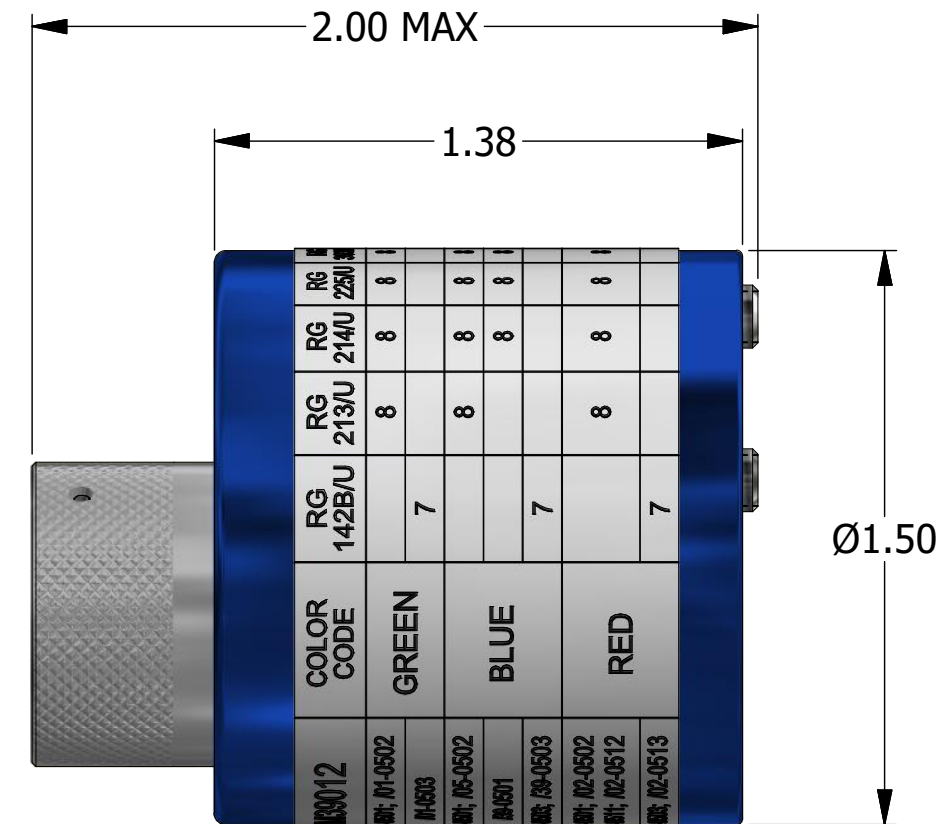
DATAPLATE

3X POSITIONER INSERTS

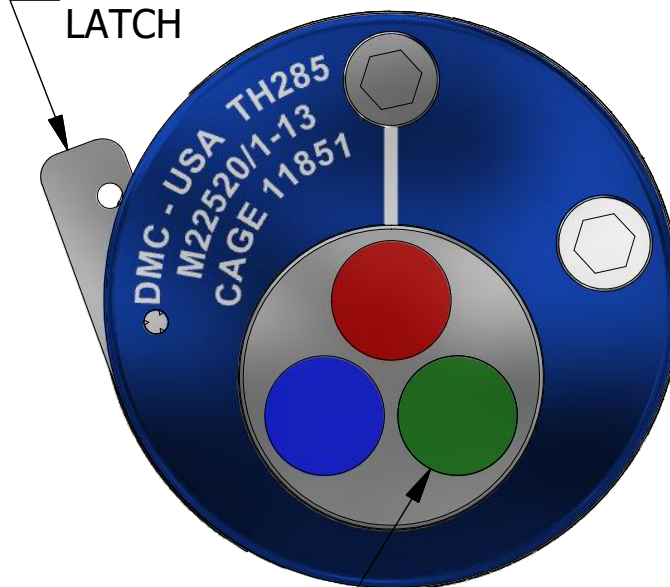
REVISIONS						
REV	ECO NO.	DESCRIPTION	BY	DATE	APP'D BY	DATE
1		REDRAWN	AAM	4/24/2000	RRR	4/24/2000
2	23573	UPDATED & REDRAWN	TonyD	3/20/2015		
3	25000	DATAPLATE UPDATED	TonyD	5/5/2020		

M39012	COLOR CODE	RG 142B/U	RG 213/U	RG 214/U	RG 225/U	RG 393/U	RG 400/U	CABLE
/01-0501; /01-0502	GREEN		8	8	8	8		SELECTOR No.
/01-0503		7					7	
/05-0501; /05-0502	BLUE		8	8	8	8		
/39-0501				8	8	8		
/05-0503; /39-0503		7					7	
/02-0501; /02-0502	RED		8	8	8	8		
/02-0511; /02-0512								
/02-0503; /02-0513		7					7	

**UNCONTROLLED DOCUMENT  
WILL NOT BE UPDATED**  
DIMENSIONS IN INCHES - UNLESS OTHERWISE SPECIFIED



TURRET LATCH



RANDOM ORDER OF ROTATION IS ACCEPTABLE FOR POSITIONER INSERTS

INSERT COLOR	HOLE DIMENSIONS	ADDITIONAL FEATURES
BLUE	Ø.125 ▽.495	
RED	Ø.125 ▽.563	
GREEN	Ø.125 ▽.595	

MATERIAL	ITEM	PART NO.	QTY.	DESCRIPTION / REMARKS
N/A	JWS	DATE 3/25/1986		DANIELS MANUFACTURING CORP. ORLANDO, FLORIDA CAGE 11851
	CHK'D.	DATE		
HEAT TREAT				<b>NOTE:</b> THIS DRAWING IS AN OUTLINE DRAWING OF THE RESPECTIVE DMC PART NUMBER INDICATED. ACTUAL DMC PART NUMBER IS CAD PART NUMBER WITHOUT THE "-ENV" SUFFIX
FINISH				TITLE: TURRET HEAD (M22520/1-13) ENVELOPE DRAWING WHERE USED: AF8 SIZE: B SCALE: 2:1 CAD P/N: TH285-ENV SHEET: 1 OF 1 DWG. NO.: TH285 REV.: 3
<b>RESTRICTED &amp; CONFIDENTIAL</b> CONFIDENTIAL PROPERTY OF DANIELS MANUFACTURING CORP. NOT TO BE DISCLOSED TO OTHERS. REPRODUCTION OR USED FOR ANY OTHER PURPOSE EXCEPT AS AUTHORIZED IN WRITING BY DANIELS MANUFACTURING. MUST BE RETURNED TO DANIELS MANUFACTURING CORP. ON COMPLETION OF ORDER OR PURPOSES FOR WHICH LENT. CREATED FROM AN INVENTOR MODEL. CHANGES MUST BE REFLECTED IN THE 3D PART DO NOT SCALE DRAWING				