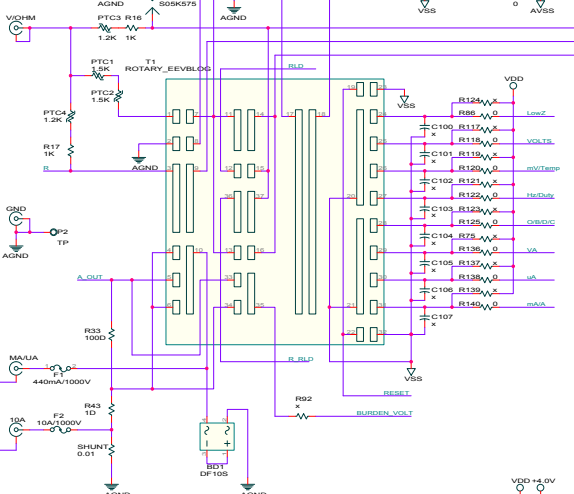
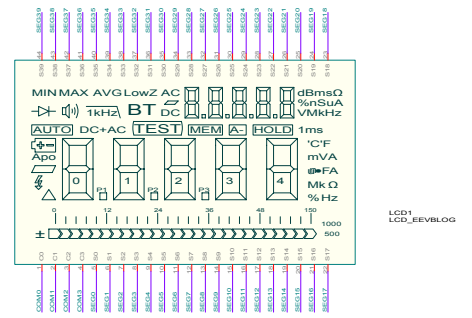
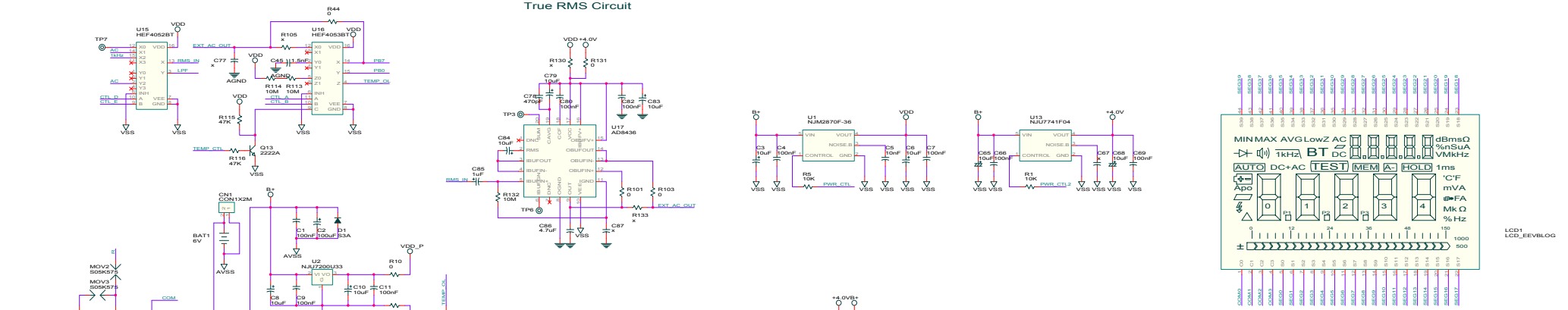
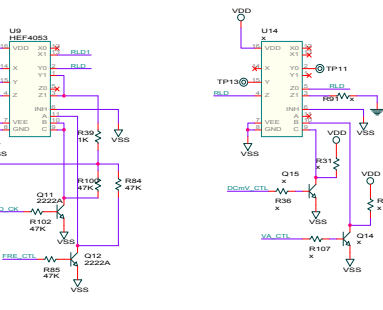


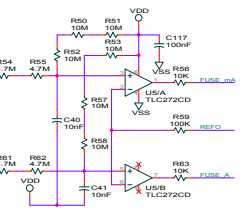
### True RMS Circuit



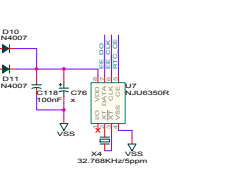
### 15V Diode Circuit



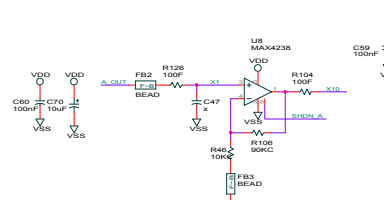
### Input Warning Circuit



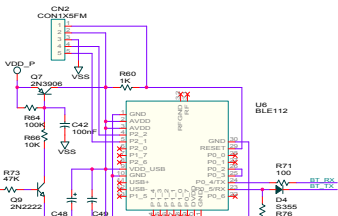
### RTC Circuit



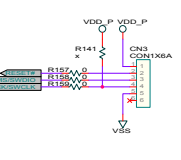
### Burden Voltage Circuit



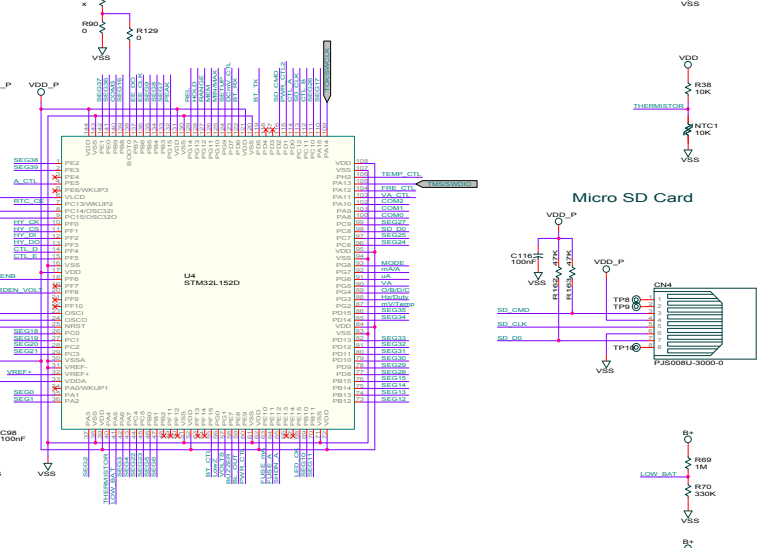
### Bluetooth Module(Not used)



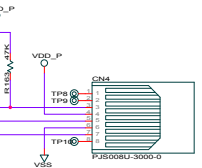
### S-LINK/V2-ISOL



### ARM Cortex-M3 core-based Microcontroller



### Micro SD Card



Pin	Function	Value
1	VDD	5.0V
2	VSS	0V
3	NC	-
4	NC	-
5	VDD	5.0V
6	VSS	0V
7	NC	-
8	NC	-
9	NC	-
10	NC	-
11	NC	-
12	NC	-
13	NC	-
14	NC	-
15	NC	-
16	NC	-
17	NC	-
18	NC	-
19	NC	-
20	NC	-
21	NC	-
22	NC	-
23	NC	-
24	NC	-
25	NC	-
26	NC	-
27	NC	-
28	NC	-
29	NC	-
30	NC	-
31	NC	-
32	NC	-
33	NC	-
34	NC	-
35	NC	-
36	NC	-
37	NC	-
38	NC	-
39	NC	-
40	NC	-
41	NC	-
42	NC	-
43	NC	-
44	NC	-
45	NC	-
46	NC	-
47	NC	-
48	NC	-
49	NC	-
50	NC	-
51	NC	-
52	NC	-
53	NC	-
54	NC	-
55	NC	-
56	NC	-
57	NC	-
58	NC	-
59	NC	-
60	NC	-
61	NC	-
62	NC	-
63	NC	-
64	NC	-
65	NC	-
66	NC	-
67	NC	-
68	NC	-
69	NC	-
70	NC	-
71	NC	-
72	NC	-
73	NC	-
74	NC	-
75	NC	-
76	NC	-
77	NC	-
78	NC	-
79	NC	-
80	NC	-
81	NC	-
82	NC	-
83	NC	-
84	NC	-
85	NC	-
86	NC	-
87	NC	-
88	NC	-
89	NC	-
90	NC	-
91	NC	-
92	NC	-
93	NC	-
94	NC	-
95	NC	-
96	NC	-
97	NC	-
98	NC	-
99	NC	-
100	NC	-