



DESCRIPTION

The Electro-Voice Model 636 is an omnidirectional microphone of the dynamic type with only one moving element. The slim styling of the 636 was specifically designed to provide the flexibility and ruggedness required for general public address use.

Incorporating the exclusive Electro-Voice Acoustalloy® diaphragm material, the model 636 is nearly impervious to extremes of temperature and humidity. The mechanical nesting principle of design by which the internal parts of the microphone are closely fitted one within another results in a mechanical structure that almost completely eliminates damage from mechanical shock.

The 636 is supplied with a built-in blast filter of acoustically treated, wire mesh grille to minimize wind and breath blasts. The case may be swiveled 90° on the microphone stud which is provided with a standard 5/8"-27 thread for mounting the unit on an upright stand. The stud is easily removed from the stand when the microphone is to be used hand-held.

WARRANTY

Each Electro-Voice microphone is guaranteed for the life of the microphone to be free of factory defects in materials and workmanship and will, at our option, be repaired or replaced at no charge if exhibiting malfunction from this cause. Microphones for warranty repair must be shipped prepaid to Electro-Voice, Inc., or its authorized service agency. They will be returned prepaid. This warranty does not cover finish or appearance.

For correct shipping address and instructions on return of Electro-Voice products for repair and locations of authorized service agencies, please write: Service Department, Electro-Voice, Inc., 600 Cecil Street, Buchanan, Mich. 49107 (Phone: 616/695-6831).

Electro-Voice also maintains complete facilities for non-warranty service.

SPECIFICATIONS

Element:	Dynamic
Frequency Response:	Uniform 60 to 13,000 Hz.
Polar Pattern:	Omnidirectional
Impedance:	150 ohms and high impedance. 150 ohms balanced to ground. Shipped wired for high impedance (Hi-Z).
Impedance Selection:	Easily made at E-V QC-4M Quick Change Connector without tools. See instructions in this sheet.
Output Level,	
High Impedance:	-58 db (0 db = 1 volt/dyne/cm ²)
150 ohm Impedance:	-58 db (0 db = 1 mw/10 dynes/cm ²)
EIA Sensitivity Rating,	
High Impedance:	-154 db
150 ohm Impedance:	-154 db
Diaphragm:	Electro-Voice Acoustalloy®
Case Material:	Steel
Finish:	Satin Chrome. Also available with gold finish, specify 636G.
Dimensions:	1-1/8" dia., 10 1/4" long
Net Weight:	15 ounces
Switch:	On/Off, sliding contact shorts element in "off" position.
Cable:	15', 2-conductor, synthetic rubber-jacketed, broadcast type equipped with QC-4M Quick Change Connector at microphone end.
Microphone Connector:	Amphenol MC4F
Stand Coupler:	5/8"-27 thread on stud.
Optional Accessories:	418, 418S, 418G desk stand

ENGINEERING DATA 636 DYNAMIC MICROPHONE

ARCHITECTS' AND ENGINEERS' SPECIFICATIONS

The microphone shall be an Electro-Voice Model 636 or equivalent. The microphone shall be an omnidirectional, dynamic type with wide range, uniform response from 60 to 13,000 Hz. The diaphragm shall be nonmetallic Acoustalloy and shall have a magnetic shield to prevent dust and iron particles from reaching the diaphragm. The available impedances shall be 150 ohms and high impedance. It shall be possible to obtain the impedance desired by moving one connection in the Electro-Voice QC-4M connector. Lines shall be balanced to ground on 150 ohm impedance and phased. The output level for 150 ohm impedance shall be -58 db with 0 db equalling 1 mw/10 dynes/cm². Output level for high impedance shall be -58 db with 0 db equalling 1 volt/dyne/cm². EIA sensitivity rating shall be -154 db for 150 ohm impedance and -154 db for high impedance. The magnetic circuit shall be a nonwelded circuit and employ Alnico V and Armco magnetic iron. The case shall be made of steel. The microphone shall have a maximum diameter of 1-1/8", and a length of 10 1/4", including stud. Net weight, less cable, shall be 15 ounces including stud. The finish shall be satin chrome (if 636G, finish shall be gold). A 15', two-conductor, shielded, synthetic rubber jacketed, broadcast type cable shall be provided. The microphone shall have a built-in connector similar or equivalent to the Amphenol MC4F connector which will mate with the Electro-Voice QC-4M. It shall be possible to tilt the microphone through a 90° arc.

The Electro-Voice Model 636 (636G) is specified.

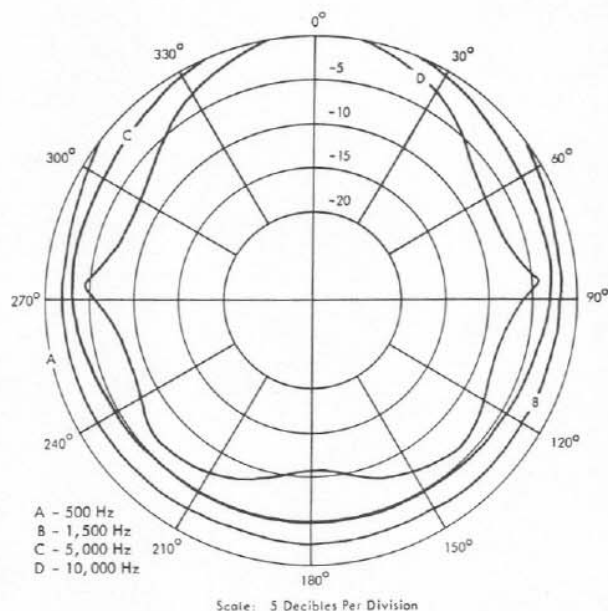


Figure 1 - Polar Pattern

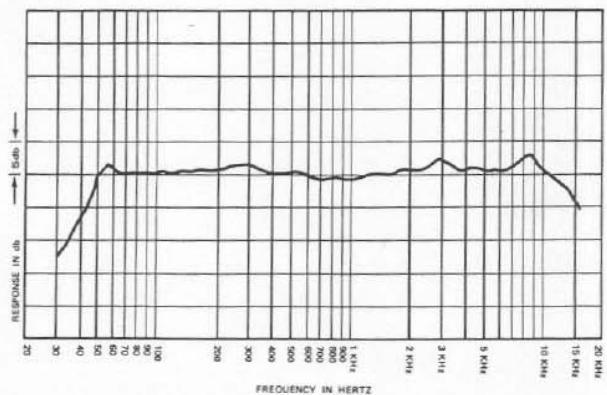


Figure 2 - Frequency Response

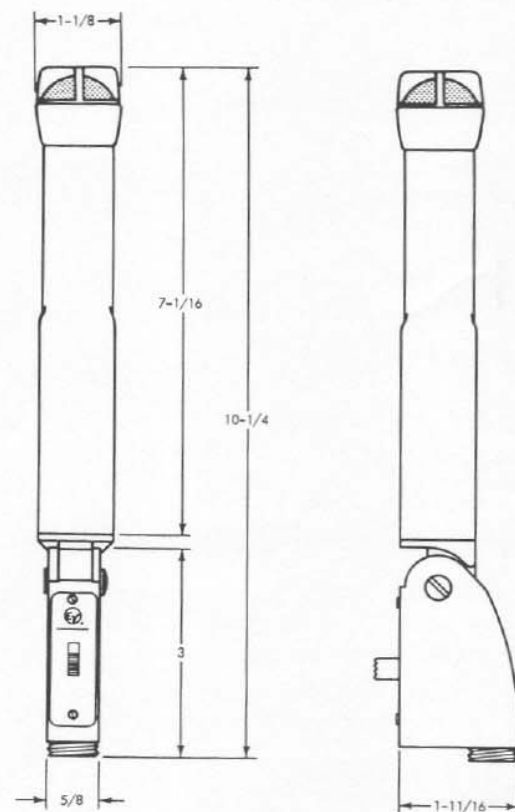


Figure 3 - Dimensions

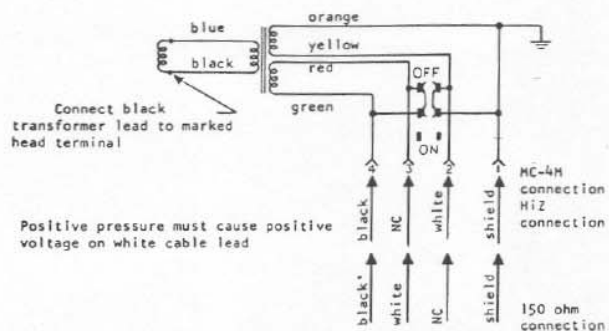


Figure 4 - Wiring Diagram

IMPEDANCE CHANGE PROCEDURE FOR E-V QUICK-CHANGE CONNECTOR

For added convenience and flexibility, an Electro-Voice innovation, the QC-4M Quick-Change Connector, is supplied with your Model 636. Change from high-impedance (Hi-Z) to low-impedance (Lo-Z) or the reverse, can now be made quickly and easily without tools.

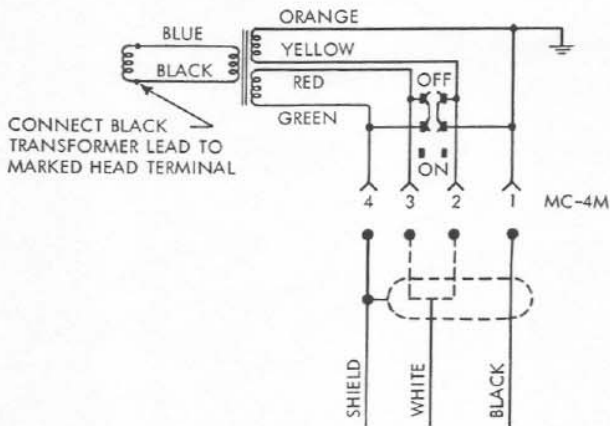
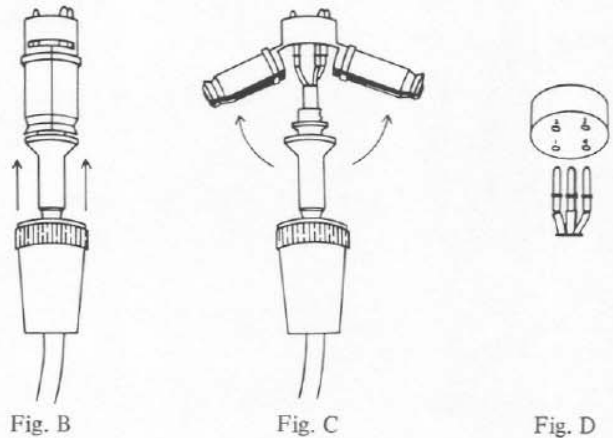


Figure A

Figure A shows the basic internal wiring diagram of E-V Dual Impedance microphones. Note that moving white cable conductor from Pin 2 to Pin 3 converts the microphone from Hi-Z to Lo-Z.

To change impedance, proceed as follows:

1. Remove cable from microphone by turning the connector shell to left (counter clockwise) until free and then gently pull it away from the microphone.
2. Gripping connector shell firmly in one hand and cable (near connector) in the other hand, firmly push cable into shell so that molded plastic insert slips from shell. (See Figure B)



3. Separate molded insert as shown in Figure C.
4. Note that cable shield and conductors are connected with "slip-in" pins. Shield pin is in Hole 1 of alignment frame, and pin on black conductor is in Hole 4. *These should not be changed.*
5. The pin connected to the white conductor of your cable should be inserted in Hole 2, if high-impedance is desired, or Hole 3, if low-impedance is desired. (See Figure D)
6. Snap molded insert halves into position. (See Figures B and C)
7. Firmly push connector shell back into position (reverse of Step 2). Pressure will be required since these parts are designed to provide close fit.
8. Align connector guide pin with key slot in the microphone and slip connector into position.
Tighten connector shell by turning in clockwise direction.

Your E-V Dual Impedance microphone is now ready for operation in the impedance you have selected.