

Electro-Voice®

ELECTRO-VOICE, INC.
BUCHANAN, MICHIGAN



Specifications

Model 630 Microphone

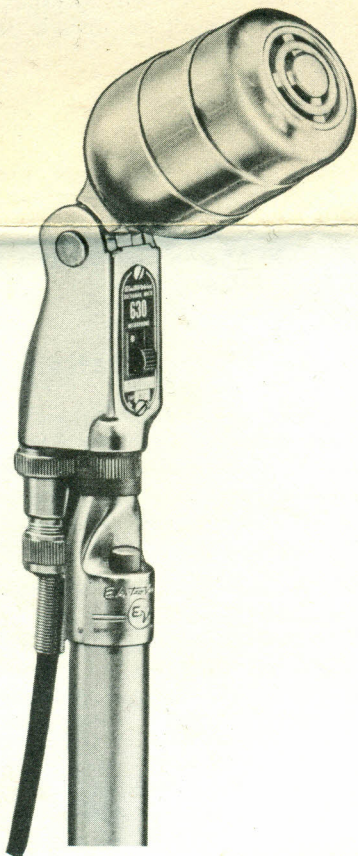


Fig. 1 — Model 630 Microphone

The Electro-Voice Model 630 Microphone is a dynamic, omnidirectional type designed for public address work, all types of dispatching call systems, industrial applications, remote pickups, recording, visual education, auditoriums, schools, churches, hotels, theatres, amateur radio and general communication service. It is excellent for both music and speech.

The airfoil case provides a minimum of diffraction and allows the response curve to remain flat even at high frequencies. The Model 630 may be mounted on a floor or desk stand and tilted through a 90° arc toward sound source. It can also be held in the hand.

The Model 630 Microphone features the exclusive Electro-Voice Acoustalloy diaphragm. This nonmetallic diaphragm permits smoother response over a wider frequency range and withstands high humidity, temperature extremes, corrosive effects of salt air and severe mechanical shocks. It is practically indestructible in normal use.

SPECIFICATIONS

Type: Dynamic

Frequency Response: Uniform from 60 to 11,000 cps. See Figure 2

Impedance: Available in 50, 250-ohms or High Impedance. Low Impedance models have balanced line output

Output Level:

50-ohms impedance: -55 db*; RETMA sensitivity rating, -148 db

250-ohms impedance: -55 db*; RETMA sensitivity rating, -147 db

High Impedance: -55 db**; RETMA sensitivity rating, -151 db

*0 db = mw/10 dynes/cm²

**0 db = 1 volt/dyne/cm²

ON-OFF Switch: Sliding contact type short circuits transformer secondary in "Off" position

Polar Pattern: Essentially omnidirectional, becoming slightly directional with rise in frequency. See Figure 3

Diaphragm: Electro-Voice Acoustalloy

Magnetic Circuit: Employs Alnico V and Armco magnetic iron in a nonwelded circuit

Case: Pressure cast zinc

Finish: Satin chromium

Dimensions: Diameter: 2 in., Length: 6¼ in. See Figure 4

Net Weight: 1 lb less cable

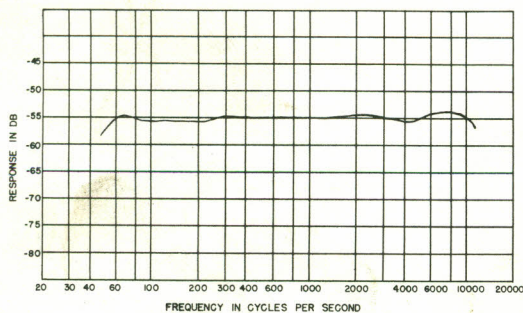
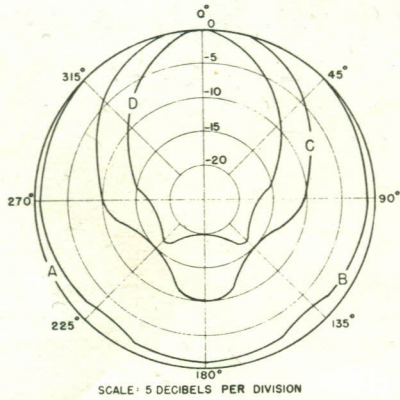


Fig. 2 — Response



Electro-Voice Specifications / Model 630 Microphone



SCALE: 5 DECIBELS PER DIVISION
 A — 500 cps C — 5,000 cps
 B — 1,500 cps D — 10,000 cps

Fig. 3 — Polar Pattern

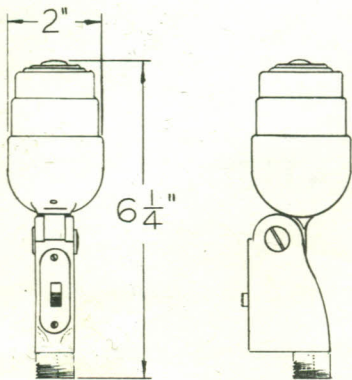


Fig. 4 — Dimensions

Cable:

Low-Impedance Models: 18 ft, two-conductor, shielded, synthetic rubber jacketed

High-Impedance Models: 18 ft, single-conductor, synthetic rubber jacketed

Cable Connector: MC-3 locking, three-contact wiping type built into the microphone. Permits tilting microphone toward sound source without strain on connector or cable

Stand Coupler: 5/8 in. -27 thread

Optional Accessories: Electro-Voice Model 345 Shock Mount, Model 418 Desk Stand

Warranty: The Electro-Voice Model 630 Microphone is guaranteed against defects in workmanship and material.

Architects' and Engineers' Specifications

The microphone shall be an Electro-Voice Model 630 or equivalent. The microphone shall be a dynamic type, with uniform frequency response from 60 to 11,000 cps. The diaphragm shall be nonmetallic Acoustalloy and shall have a magnetic shield to prevent dust and iron particles from reaching the diaphragm. The available impedance shall be 50-ohm, 250-ohm or High Impedance. Low impedance models have balanced line output.

The output level for low impedance models shall be -55 db with 0 db equalling 1 mw/10 dynes/cm². The output level for high impedance models shall be -55 db with 0 db equalling 1 volt/dyne/cm². RETMA sensitivity rating shall be -148 db for 50-ohm impedance, -147 db for 250-ohm impedance and -151 db for high impedance. The magnetic circuit shall be a nonwelded circuit and employ Alnico V and Armco magnetic iron.

The case shall be pressure cast zinc. The microphone shall have a diameter of 2 inches, a length of 6 1/4 inches including stud and a weight of 1 pound less cable. Finish of the microphone shall be satin chromium. An 18-ft, two-conductor, shielded, synthetic rubber jacketed, broadcast type cable shall be included with the Low-impedance models. An 18-ft, single-conductor, shielded, synthetic rubber jacketed cable shall be included with the High-impedance model. The microphone shall have a built-in MC-3 locking, three-contact wiping type cable connector. It shall be possible to tilt the microphone through a 90-degree arc without strain on the connector or cable.

The microphone shall include a stand coupler with a 5/8 inch -27 thread to permit use with a shock mount such as the Electro-Voice Model 345, or a desk stand such as the Electro-Voice model 418.

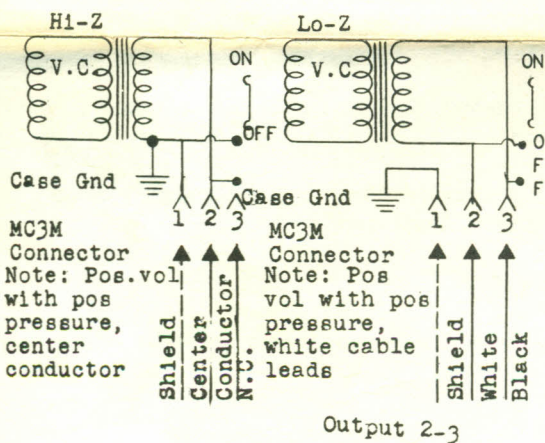


Fig. 5 — Wiring Diagram

*1 - Ground
 2 - White
 3 - Black*

ELECTRO-VOICE, INC. / BUCHANAN, MICHIGAN