

**University  
Sound  
Inc.**

## Model 400/422/423A Desk Stands

### SPECIFICATIONS:

#### Model 400

##### Dimensions:

136 mm (5.36 in.) wide  
163 mm (6.4 in.) long  
56.6 mm (2.23 in.) high

##### Material:

Steel

##### Finish:

Non-reflective gray

##### Weight:

453 g (1 lb)

##### Accessories Furnished:

Adapter with 5/8"–27 thread  
(will fit all EV microphone  
clamps and microphones fitted  
with switch studs)

##### Replacement Adapter:

EV Part No. 62952-AD

#### Model 422 Desk Stand

##### Dimensions:

108 mm (4 1/4 in.) wide  
114 mm (4 1/2 in.) long  
25.4 mm (1 in.) high

##### Material:

Die-cast zinc

##### Finish:

Non-reflective gray

##### Weight:

0.8 kg (27 ounces)

##### Clamp Adapter For:

310, 312, 323 series clamps for  
19 mm (3/4 in.) dia. microphones

##### Replacement Adapter:

No. 77606  
For 310, 312, 323 series clamps

#### Model 423A

##### Base Dimensions,

Height:  
25.4 mm (1 in.)

##### Diameter:

130 mm (5 1/8 in.)

##### Stem Length:

127 mm (5 in.)

##### Stand Threads:

5/8"–27

##### Material,

Base:  
Die-cast zinc

##### Stem:

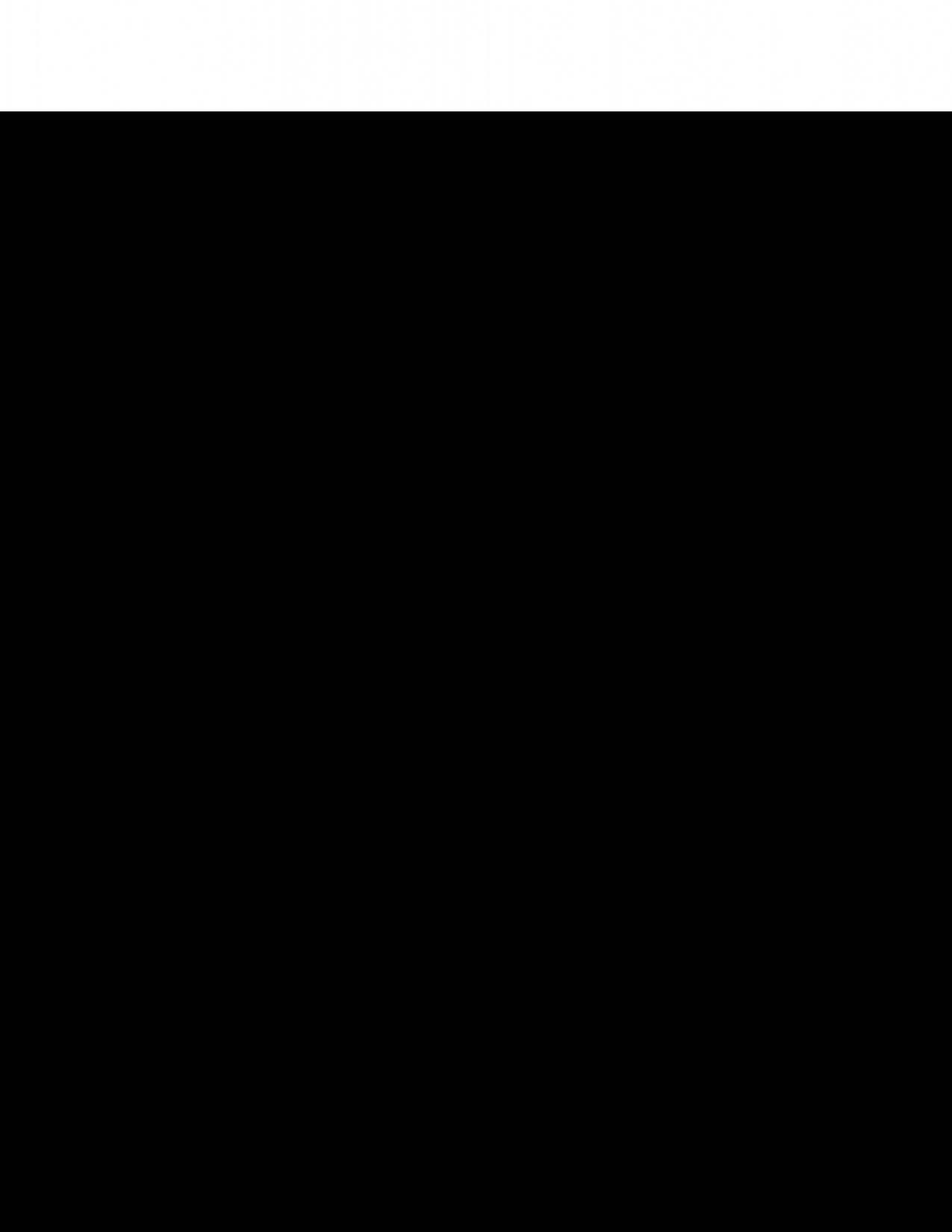
Steel tubing

##### Weight:

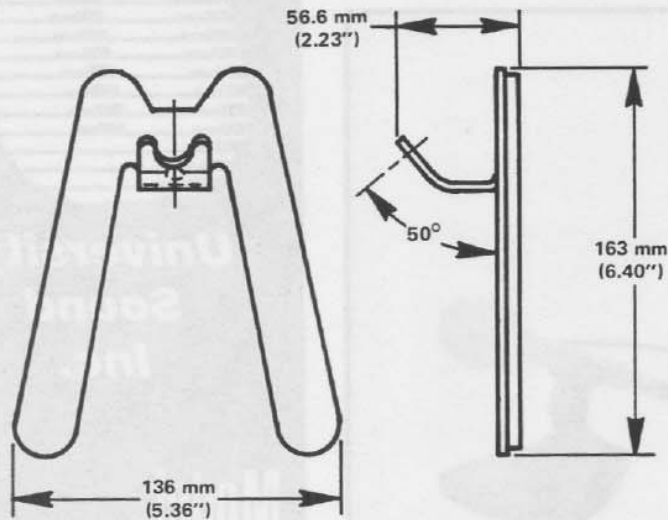
453 kg (1 lb)

##### Finish:

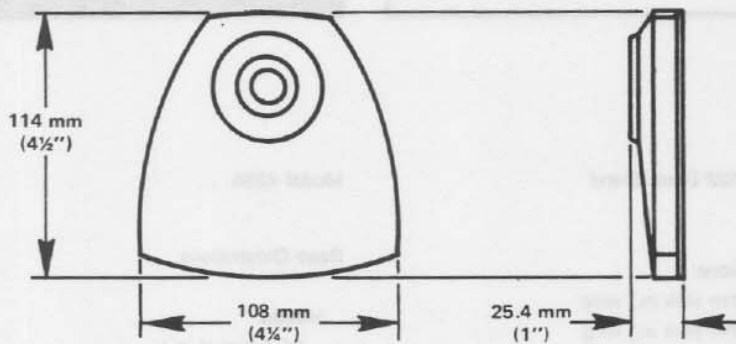
Non-reflective gray



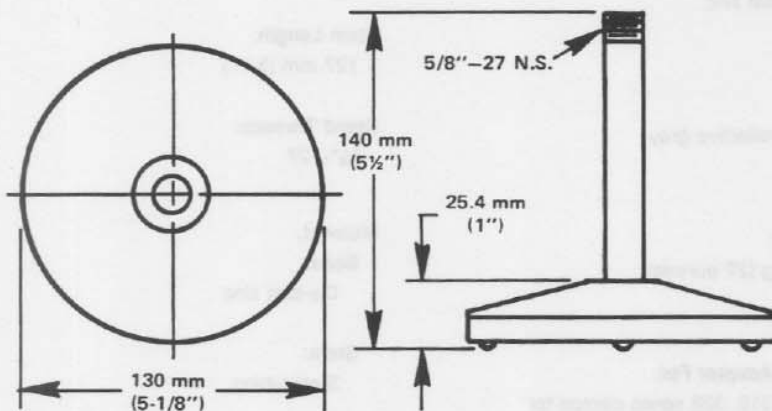
## DESCRIPTION AND APPLICATIONS



MODEL 400



MODEL 422



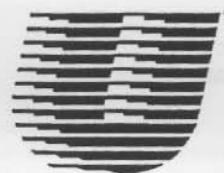
MODEL 423A

**Model 400** — The Model 400 is a modern design microphone desk stand intended to be used with most microphones whether clamp mounted or fitted with a switch stud. The Model 400 stand, finished in non-reflecting gray, is made from formed steel with skid resistant foam rubber pads on the base. Connection to the microphone is made with a threaded adapter which will accept any microphone with a  $\frac{5}{8}$ "—27 thread.

**Model 422** — The Model 422 is a specially designed "low profile" microphone desk stand. Created particularly for "on camera" use, the gray finish is non-reflective. A unique snap-in neoprene clamp adapter provides excellent shock isolation.

**Model 423A** — The Model 423A comprises a five-inch stem riser and a sturdy, round die-cast base which rests firmly on rubber base buttons. The stand, finished in non-reflecting gray, is made for microphones with a  $\frac{5}{8}$ "—27 thread connection.

Specifications subject to change without notice.



**University  
Sound Inc.**

a MARK IV company  
13278 Ralston Avenue  
Sylmar, California 91342-7607  
FAX (818) 362-3463  
PHONE (818) 362-9516