

For the benefit and convenience of its customers, Fluke Corporation (Fluke) has reproduced this copy of a manual which is no longer in production. This manual has not been edited or updated since the revision date shown on the *lower left hand corner of the first page*. Fluke will not be liable for any claims, losses or damages of any kind incurred by any user arising from use of this manual.

8600A

Digital Multimeter

Instruction Manual

P/N 391409

NOVEMBER 1974 Rev. 3, 1/77

©1977 John Fluke Mfg. Co., Inc., All rights reserved. Litho in U.S.A.



WARRANTY

Notwithstanding any provision of any agreement the following warranty is exclusive:

The JOHN FLUKE MFG. CO., INC., warrants each instrument it manufactures to be free from defects in material and workmanship under normal use and service for the period of 1-year from date of purchase. This warranty extends only to the original purchaser. This warranty shall not apply to fuses, disposable batteries (rechargeable type batteries are warranted for 90-days), or any product or parts which have been subject to misuse, neglect, accident, or abnormal conditions of operations.

In the event of failure of a product covered by this warranty, John Fluke Mfg. Co., Inc., will repair and calibrate an instrument returned to an authorized Service Facility within 1 year of the original purchase; provided the warrantor's examination discloses to its satisfaction that the product was defective. The warrantor may, at its option, replace the product in lieu of repair. With regard to any instrument returned within 1 year of the original purchase, said repairs or replacement will be made without charge. If the failure has been caused by misuse, neglect, accident, or abnormal conditions of operations, repairs will be billed at a nominal cost. In such case, an estimate will be submitted before work is started, if requested.

THE FOREGOING WARRANTY IS IN LIEU OF ALL OTHER WARRANTIES, EXPRESS OR IMPLIED, INCLUDING BUT NOT LIMITED TO ANY IMPLIED WARRANTY OF MERCHANTABILITY, FITNESS, OR ADEQUACY FOR ANY PARTICULAR PURPOSE OR USE. JOHN FLUKE MFG. CO., INC., SHALL NOT BE LIABLE FOR ANY SPECIAL, INCIDENTAL, OR CONSEQUENTIAL DAMAGES, WHETHER IN CONTRACT, TORT, OR OTHERWISE.

If any failure occurs, the following steps should be taken:

1. Notify the JOHN FLUKE MFG. CO., INC., or nearest Service facility, giving full details of the difficulty, and include the model number, type number, and serial number. On receipt of this information, service data, or shipping instructions will be forwarded to you.
2. On receipt of the shipping instructions, forward the instrument, transportation prepaid. Repairs will be made at the Service Facility and the instrument returned, transportation prepaid.

SHIPPING TO MANUFACTURER FOR REPAIR OR ADJUSTMENT

All shipments of JOHN FLUKE MFG. CO., INC., instruments should be made via United Parcel Service or "Best Way" prepaid. The instrument should be shipped in the original packing carton; or if it is not available, use any suitable container that is rigid and of adequate size. If a substitute container is used, the instrument should be wrapped in paper and surrounded with at least four inches of excelsior or similar shock-absorbing material.

CLAIM FOR DAMAGE IN SHIPMENT TO ORIGINAL PURCHASER


The instrument should be thoroughly inspected immediately upon original delivery to purchaser. All material in the container should be checked against the enclosed packing list. The manufacturer will not be responsible for shortages against the packing sheet unless notified immediately. If the instrument is damaged in any way, a claim should be filed with the carrier immediately. (To obtain a quotation to repair shipment damage, contact the nearest Fluke Technical Center.) Final claim and negotiations with the carrier must be completed by the customer.

The JOHN FLUKE MFG. CO., INC., will be happy to answer all applications or use questions, which will enhance your use of this instrument. Please address your requests or correspondence to: JOHN FLUKE MFG. CO., INC., P.O. BOX C9090, EVERETT, WASHINGTON 98206, ATTN: Sales Dept. For European Customers: Fluke (Holland) B.V., P.O. Box 5053, 5004 EB, Tilburg, The Netherlands.

*For European customers, Air Freight prepaid.

John Fluke Mfg. Co., Inc., P.O. Box C9090, Everett, Washington 98206

Table of Contents

SECTION	TITLE	PAGE
1	INTRODUCTION AND SPECIFICATIONS	1-1
	1-1. INTRODUCTION	1-1
	1-9. SPECIFICATIONS	1-2
2	OPERATING INSTRUCTIONS	2-1
	2-1. INTRODUCTION	2-1
	2-3. SHIPPING INFORMATION	2-1
	2-6. INPUT POWER	2-1
	2-9. RACK INSTALLATION	2-1
	2-11. OPERATING FEATURES	2-1
	2-13. OPERATING NOTES	2-3
	2-15. Option Information	2-3
	2-17. Fuses	2-3
	2-19. Overrange Indication.	2-3
	2-21. Input Overload Protection 	2-3
	2-23. Autoranging	2-3
	2-25. OPERATION	2-4
3	THEORY OF OPERATION	3-1
	3-1. INTRODUCTION	3-1
	3-3. OVERALL FUNCTIONAL DESCRIPTION	3-1
	3-4. Introduction	3-1
	3-6. Input Signal Conditioners	3-1
	3-12. A/D Converter	3-2
	3-15. Control and Display	3-2
	3-18. Data Output Unit (DOU)	3-3
	3-20. CIRCUIT DESCRIPTION	3-3
	3-22. Input Signal Conditioners	3-3
	3-37. A/D Converter	3-6
	3-42. Control and Display	3-8

(continued on page ii)

TABLE OF CONTENTS, *continued*

SECTION	TITLE	PAGE
4	MAINTENANCE	4-1
4-1.	INTRODUCTION	4-1
4-3.	SERVICE INFORMATION	4-1
4-6.	GENERAL MAINTENANCE	4-2
4-7.	Access/Disassembly	4-2
4-10.	Cleaning	4-2
4-12.	Fuse Replacement	4-2
4-14.	PERFORMANCE TESTS	4-2
4-16.	DC Voltage Test	4-2
4-18.	Ohms Test	4-2
4-20.	DC Current Test	4-3
4-22.	AC Voltage Test	4-3
4-24.	CALIBRATION	4-3
4-25.	Introduction	4-3
4-27.	DC Volts Calibration	4-3
4-29.	Ohms Calibration	4-5
4-31.	AC Volts Calibration	4-5
4-33.	TROUBLESHOOTING	4-5
4-35.	Initial Troubleshooting	4-6
4-38.	Power Supply Checks	4-6
4-40.	Fault Area Isolation	4-7
5	LIST OF REPLACEABLE PARTS	5-1
5-1.	INTRODUCTION	5-2
5-4.	HOW TO OBTAIN PARTS	5-2
5-7.	USE CODE EFFECTIVITY LIST	5-2
6	OPTIONS AND ACCESSORY INFORMATION	6-1
6-1.	INTRODUCTION	6-1
6-3.	CARRY CASE (C80)	6-1
6-5.	CARRYING CASE (C86)	6-1
6-7.	FRONT PANEL DUST COVER (M00-100-714)	6-1
6-9.	RACK MOUNTING KITS	6-1
6-10.	Introduction	6-1
6-12.	Installation Procedure	6-2
6-16.	DELUXE TEST LEAD KIT (A80)	6-2
6-18.	CURRENT PROBE, CLAMP-ON (80I-600)	6-4
6-19.	Introduction	6-4
6-21.	Operation	6-4
6-23.	HIGH VOLTAGE PROBE (80K-40)	6-5
6-24.	Introduction	6-5
6-26.	Specifications	6-5
6-27.	Operation	6-5
6-29.	HIGH FREQUENCY PROBE (80RF-1)	6-6
6-30.	Introduction	6-6
6-32.	Specifications	6-6

(continued on page iii)

TABLE OF CONTENTS, *continued*

SECTION	TITLE	PAGE
6-33.	Operating Notes	6-6
6-36.	Operation	6-6
6-38.	Theory of Operation	6-7
6-41.	Maintenance	6-7
6-50.	HIGH FREQUENCY PROBE (81RF)	6-9
6-51.	Introduction	6-9
6-53.	Specifications	6-9
6-54.	Operation	6-9
6-56.	TEMPERATURE PROBE (80T-150)	6-9
6-59.	BATTERY PACK, OPTION -01	6-9
6-60.	Introduction	6-9
6-62.	Specifications	6-9
6-64.	Operation	6-9
6-66.	Theory of Operation	6-10
6-69.	Maintenance	6-10
6-80.	DATA OUTPUT UNIT (OPTION -02)	6-11
6-81.	Introduction	6-11
6-83.	Specifications	6-11
6-85.	Operation	6-11
7	GENERAL INFORMATION	7-1
8	SCHEMATIC DIAGRAMS	8-1

List of Illustrations

FIGURE	TITLE	PAGE
1-1.	Model 8600A Outline Drawing	1-5
2-1.	8600A Controls, Indicators and Connectors	2-2
3-1.	Overall Functional Block Diagram	3-2
3-2.	Timing Diagram for Dual-Slope A/D Conversion	3-3
3-3.	Ohms Converter Block Diagram	3-4
3-4.	AC Converter Block Diagram	3-5
3-5.	A/D Converter Block Diagram	3-7
4-1.	Calibration Adjustment Locations	4-4
4-2.	Troubleshooting Flow Chart	4-7
4-3.	A/D Converter Output Signal	4-9
4-4.	A/D Converter Control Signals	4-10
5-1.	8600A Final Assembly	5-4
5-2.	Front Panel and Main PCB Assembly (8600A Line Power)	5-9
5-3.	Front Panel and Main PCB Assembly (8600A-01 Battery Power)	5-14
5-4.	Display PCB Assembly	5-15
5-5.	Battery Power Supply PCB Assembly (-01 Option)	5-17
5-6.	AC Converter PCB Assembly	5-20
5-7.	Ohms Converter Assembly	5-22
5-8.	Input Divider PCB Assembly	5-23
5-9.	DOU PCB Assembly -02 Option	5-25

(continued on page v)

LIST OF ILLUSTRATIONS, *continued*

FIGURE	TITLE	PAGE
6-1.	Model C80 Carrying Case	6-1
6-2.	Model C86 Carrying Case	6-2
6-3.	Rack Mounting Kits, Offset and Center Mount	6-3
6-4.	Rack Mounting Kit, Side-By-Side Mounting	6-4
6-5.	Deluxe Test Lead Kit (A80)	6-4
6-6.	AC Current Probe, Clamp-On (80I-600)	6-4
6-7.	High Current Probe (80K-40)	6-5
6-8.	High Voltage Probe, Schematic	6-5
6-9.	80RF-1, High Frequency Probe	6-6
6-10.	80RF-1, Schematic	6-7
6-11.	Low Frequency Response Check	6-7
6-12.	High Frequency Response Check	6-8
6-13.	High Frequency Probe (81 RF)	6-9
6-14.	DOU Timing Diagram	6-12
8-1.	Front Panel and Main PCB Assembly (2 sheets)	8-3
8-2.	Display PCB Assembly	8-7
8-3.	AC Converter PCB Assembly	8-9
8-4.	Ohms Converter PCB Assembly	8-11
8-5.	Battery Power Supply PCB Assembly (Option -01)	8-13
8-6.	Data Output Unit PCB Assembly (Option -02)	8-15

List of Tables

TABLE	TITLE	PAGE
1-1.	8600A Options	1-1
1-2.	8600A Accessories	1-1
1-3.	Model 8600A Specifications	1-2
2-1.	8600A Controls, Indicators and Connections	2-2
2-2.	Basic Measurement Instructions	2-3
3-1.	Ohms Converter Operating Conditions	3-5
3-2.	AC Converter Relay Operation	3-5
4-1.	Required Test Equipment	4-1
4-2.	DCV Performance Test	4-2
4-3.	Ohms Performance Test	4-3
4-4.	DC Current Performance Test	4-3
4-5.	ACV Performance Test	4-3
4-6.	DC Volts Calibration Procedure	4-5
4-7.	Ohms Calibration Procedure	4-5
4-8.	AC Volts Calibration Procedure	4-6
4-9.	Fault Area Indication	4-7
4-10.	Input Divider Test	4-8
4-11.	Operation of U8 with Respect To A/D Converter	4-10
4-12.	Range Information	4-11
6-1.	Rack Mounting Kits	6-2
6-2.	8600A Ranges For Current Probe (80I-600)	6-5
6-3.	8600A Ranges For DC HV Probe (80K-40)	6-6
6-4.	DOU Data Identification	6-12
7-1.	List of Abbreviations & Symbols	7-2
7-2.	Federal Supply Codes For Manufacturers	7-3
7-3.	Fluke Technical Service Centers	7-7
7-4.	International Service Center	7-7
7-5.	Sales Representatives - Domestic	7-8
7-6.	Sales Representatives - International	7-9

Section 1

Introduction & Specifications

1-1. INTRODUCTION

1-2. The Model 8600A is a compact and light-weight digital multimeter (DMM). It features a 4½ digit display, push-button selection of range and function, auto polarity, self locating decimal point, self zeroing to eliminate offset uncertainties, and overload protection for all ranges. Auto-ranging can be selected when the ac volts, dc volts or kil-ohms functions are selected. Several options and accessories for the 8600A are available (see Section 6).

1-3. Push-button controls allow the selection of five ac and dc voltage ranges, five ac and dc current ranges, and six resistance ranges. The measurement capabilities of the 8600A range from 10 microvolts to 1199.9 volts ac and dc, 10 nanoamperes to 1.9999 amperes ac and dc, and 10 milliohms to 19.999 megohms.

1-4. The front-panel readout features a 4½ digit display using light emitting diodes (LED's). The display includes a self locating decimal point and a + or – polarity indicator. Full-scale readout is 19999 for all ranges and functions except the 1200 volt ac and dc range, which is 11999. A blinking 18888 readout indicates that the 8600A is being operated in an overload condition and provides a test for all segments in the display.

1-5. Front panel input connectors are banana type and provide separate connections for current, and volt-ohm inputs. Both the current and volt-ohm inputs are referenced to a common input which is isolated from earth ground and can operate at a potential of up to $\pm 1000V$ dc or peak V ac with reference to earth ground.

1-6. The overload features of the 8600A include a fused current input and an overvoltage protected volt-ohm input. This protection applies for any function and range selected.

1-7. Several options and accessories are available for use with the 8600A. The options are listed and described in Table 1-1, and must be specified at time of purchase. The accessories are listed and described in Table 1-2. Accessories are compatible with all options and can be ordered at time of purchase or after purchase. Detailed information concerning each option and accessory is given in Section 6 of this manual.

Table 1-1. 8600A OPTIONS

MODEL NO	DESCRIPTION
8600A-01	Basic unit w/battery option
8600A-02	Basic unit w/data output unit

Table 1-2. 8600A ACCESSORIES

MODEL NO.	DESCRIPTION
C80	Vinyl Carrying Case w/strap
C86	Molded Hard-Shell Carrying Case
A80	Deluxe Test Lead Kit
801-600	Clamp-on AC Current Probe (2A to 600A)
80K-40	High Voltage Probe; 1kV to 40kV
81RF	RF Probe: 100kHz to 100 MHz
80RF-1	RF Probe 100 kHz to 500 MHz
M00-100-714	Front Panel Cover
M00-200-611	Rack Mount, Center
M00-200-612	Rack Mount, Offset Left or Right
M00-200-613	Rack Mount, Side-by-Side

1-8. Input power for the 8600A is switch selectable to provide operation at either 115 Vac or 230 Vac, 50 Hz or 60 Hz. The 8600A will also operate from 100 Vac, 50 Hz or 60 Hz, when in the 115V switch position. The 8600A-01

(battery power option) is configured at the factory for 115 Vac, or 230 Vac, 50 Hz or 60 Hz line power operation. The battery power option must not be operated from any other line voltage or frequency than that for which it is configured (see decal on bottom of case). The operation of the front panel controls is the same for all power configurations of the 8600A, 8600A-01, and 8600A-02 instruments.

1-9. SPECIFICATIONS

1-10. Specifications for the Model 8600A are presented in Table 1-3, under headings of DC VOLTAGE, AC VOLTAGE, DC CURRENT, AC CURRENT, OHMS, and GENERAL. Specifications for each option are listed under the option heading.

Table 1-3. MODEL 8600A SPECIFICATIONS

DC VOLTAGE	
Ranges	± 200 mV, ± 2 V, ± 20 V, ± 200 V, ± 1200 V
Accuracy:	6 Months (15°C to 35°C)
200 mV range	$\pm(0.04\%$ of input +0.01% of range)
2V, 20V, and 200V ranges	$\pm(0.02\%$ of input +0.005% of range)
1200V range	$\pm(0.02\%$ of input +0.008% of range)
Temperature Coefficient:	
200 mV range	$\pm(0.003\%$ of input +0.001% of range)/°C
2V to 1200V ranges	$\pm(0.001\%$ of input +0.0005% of range)/°C
Input Impedance:	
200 mV and 2V ranges	> 1000 megohms
20V, 200V and 1200V ranges	10 megohms
Normal Mode Rejection	60 dB minimum @ 50 Hz, 60 Hz
Common Mode Rejection	120 dB minimum @ dc and 50 Hz, 60 Hz (with 1k Ω in either lead)
Zero Stability	Auto zeroed on all ranges
Ranging	Full autoranging, or manual ranging
Polarity	Automatic bipolar, + or - display
Overload	± 1200 V dc or 1700V peak ac applied continuously to any range.
Response Time to Rated Accuracy Within Range	1 second maximum to displayed input
AC VOLTAGE	
Ranges	200 mV, 2V, 20V, 200V, 1200V
Accuracy:	6 Months (15°C to 35°C)
200 mV range	30 Hz - 50 Hz; $\pm(0.5\%$ of input +0.10% of range)
(100% to 1% of range)	50 Hz - 10 kHz; $\pm(0.2\%$ of input +0.08% of range)
	10 kHz - 50 kHz; $\pm(0.5\%$ of input + 0.10% of range)
	50 kHz - 100 kHz; $\pm(0.5\%$ of input + 0.5% of range)
2V, 20V and 200V ranges	50 Hz - 10 kHz; $\pm(0.2\%$ of input + 0.015% of range)
(100% to 1% of range)	30 Hz - 50 Hz and 10 kHz - 50 kHz;
	$\pm(0.5\%$ of input + 0.025% of range)
	50 kHz - 100 kHz; $\pm(1.0\%$ of input + 0.05% of range)

Table 1-3. MODEL 8600A SPECIFICATIONS

1200V range (100% to 1% of range)	10V to 500V, 50 Hz - 10 kHz; $\pm(0.2\%$ of input +0.03% of range) 500V - 1200V, 50 Hz - 10 kHz; $\pm(0.37\%$ of input + 0.03%) or range) 10V to 1200V, 30 Hz to 50 Hz, 10 kHz to 20 kHz, $\pm(0.5\%$ of input +0.08% of range)
Temperature Coefficient:	
200 mV range	$\pm(0.015\%$ of input + 0.005% of range)/ $^{\circ}$ C
2V to 1200V ranges	$\pm(0.01\%$ of input + 0.002% of range)/ $^{\circ}$ C
Input Impedance	2 megohms shunted by less than 100 pf
Response Time to Rated Accuracy Within Range	1.5 seconds maximum to displayed input
Overload	1200V rms, 1700V peak ac applied continuously to any range - not to exceed 2×10^7 V Hz product (20 kHz max at 1000V)
Ranging	Full autoranging, or manual ranging
DC CURRENT	
Ranges	200 μ A, 2 mA, 20 mA, 200 mA, 2000 mA
Ranging	Manual ranging
Accuracy:	6 Months (15 $^{\circ}$ C to 35 $^{\circ}$ C)
All Ranges	$\pm(0.1\%$ of input + 0.01% of range) on all ranges
Temperature Coefficient:	
All Ranges	$\pm(0.003\%$ of input + 0.001% of range)/ $^{\circ}$ C
Voltage Burden	0.25V maximum up to 200mA: 0.5V maximum up to 2A
Overload	Protected to 2A on all ranges: fused above 2A
Response Time to Rated Accuracy Within Range	1 second maximum to displayed input
AC CURRENT	
Ranges	200 μ A, 2 mA, 20 mA, 200 mA, 2000 mA
Ranging	Manual ranging
Accuracy:	6 Months (15 $^{\circ}$ C to 35 $^{\circ}$ C)
	50 Hz - 10 kHz; $\pm(0.3\%$ of input + 0.08% of range) all ranges (except 2000 mA range 50 Hz - 5 kHz) 30 Hz - 50 Hz; $\pm(0.6\%$ of input + 0.1% of range) all ranges
Temperature Coefficient:	
All Ranges	$\pm(0.015\%$ of input + 0.005% of range)/ $^{\circ}$ C
Voltage Burden	0.25V maximum up to 200mA: 0.5V maximum at 2A
Overload	Protected to 2A on all ranges, fused above 2A
Response Time	1 sec. max. to rated accuracy
OHMS	
Ranges	200 Ω , 2k Ω , 20 k Ω , 200 k Ω , 2000 k Ω , 20 M Ω
Ranging	Full autoranging, or manual ranging

Table 1-3. MODEL 8600A SPECIFICATIONS

Accuracy:	6 Months (15°C to 35°C)																	
200Ω range	±(0.1% of input + 0.015% of range)																	
2kΩ	±(0.1% of input + 0.005% of range)																	
20 kΩ to 2000 kΩ ranges	±(0.05% of input + 0.005% of range)																	
20 MΩ	±(0.2% of input + 0.005% of range)																	
Temperature Coefficient:																		
2kΩ to 2000 kΩ ranges	±(0.003% of input + 0.0005% of range)/°C																	
200 Ω and 20 MΩ range	±(0.005% of input + 0.001% of range)/°C																	
Configuration	Two wire																	
Overvoltage Protection	250V rms or dc, applied continuously																	
Maximum Open Circuit Voltage	5 volts																	
Response Time:																		
200 Ω to 2000 kΩ ranges	1 second maximum to displayed input																	
20 MΩ range	4 seconds maximum to displayed input																	
Current Through Unknown	<table border="1"> <tr> <td>200Ω</td> <td>2kΩ</td> <td>20 kΩ</td> <td>200 kΩ</td> <td>2000 kΩ</td> <td>20 MΩ</td> </tr> <tr> <td>1mA</td> <td>1mA</td> <td>100μA</td> <td>10μA</td> <td>1μA</td> <td>0.1μA</td> </tr> </table>						200Ω	2kΩ	20 kΩ	200 kΩ	2000 kΩ	20 MΩ	1mA	1mA	100μA	10μA	1μA	0.1μA
200Ω	2kΩ	20 kΩ	200 kΩ	2000 kΩ	20 MΩ													
1mA	1mA	100μA	10μA	1μA	0.1μA													
GENERAL																		
Display	Seven-segment LED .3" character height, automatic decimal location																	
Size	8.55" wide x 2.52" high x 10.65" deep (See Figure 1-1) 21.72 cm x 6,40 cm x 27,05 cm																	
Weight	3.5 lbs. (1.6 kg) line power, 4.5 lbs. (2.1 kg) with batteries																	
Operating Temperatures	0°C to +50°C																	
Storage Temperature	-40°C to +75°C (-40°C to +60°C with batteries)																	
Humidity Range	80% RH, +5°C to +35°C 70% RH, +35°C to +50°C																	
Overload Indication	Flashing display of +18888 (built in segment test of LED display) for out of range indication																	
Maximum Common Mode Voltage	±1000V, dc or peak ac																	
Power	100/115/230V ac ±10% 50 or 60 Hz, 7 watts line powered 10 watts battery powered																	
BATTERY PACK, OPTION -01																		
Continuous Operation	8 hours typical (6 hours minimum)																	
Charge Time	16 hours maximum (@ < 30°C ambient to achieve full charge).																	
DATA OUTPUT UNIT (DOU), OPTION -02																		
Available Data	Digits, polarity (both logic senses), range, and reference output																	
Data Coding	8-4-2-1 BCD positive true parallel																	
Logic Levels	1 = +5V, 0 = 0V																	
Drive Capability	All output can drive a minimum of two TTL loads. (i.e. sink 3.2 mA)																	
Flags	Busy, $\overline{\text{busy}}$, and overload																	
Controls	External trigger (positive going edge trigger), and External trigger enable																	

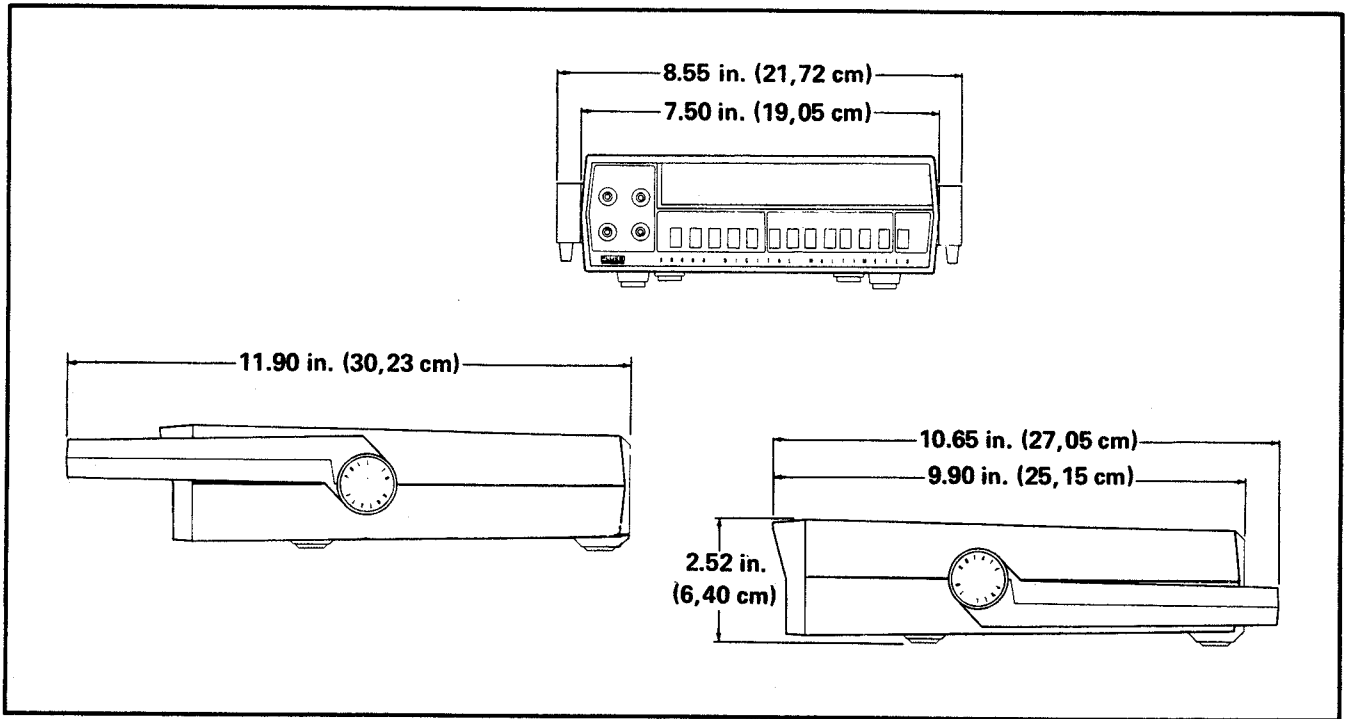


Figure 1-1. MODEL 8600A OUTLINE DRAWING

Section 2

Operating Instructions

2-1. INTRODUCTION

2-2. This section of the manual contains information regarding installation and operation of the Model 8600A DMM. It is recommended that the contents of this section be read and understood before any attempt is made to operate the instrument. Should any difficulties arise during operation, please contact your nearest John Fluke Sales Representative or the John Fluke Mfg. Co., Inc., P.O. Box 43210, Mountlake Terrace, WA 98043; telephone (206) 774-2211. A list of Sales Representatives is located in Section 7 of this manual.

2-3. SHIPPING INFORMATION

2-4. The 8600A is packaged and shipped in a foam-packed container. Upon receipt of the instrument, a thorough inspection should be made to reveal any possible shipping damage. Special instructions for inspection and claims are included in the shipping carton.

2-5. If reshipment of the instrument is necessary, the original container should be used. If the original container is not available, a new container can be obtained from the John Fluke Mfg. Co., Inc. Please reference the instrument model number when requesting a new shipping container.

2-6. INPUT POWER

2-7. The 8600A can be operated from 100, 115, or 230V ac 50 or 60 Hz power lines, as selected by line power select switch S14. Before connecting the instrument to line power, check and, if necessary, set the instrument for operation at local line voltage as follows: (the following procedure should be carried out only by qualified personnel)

CAUTION!

**Refer to Section 6 Option -01 for requirements
of line voltage change for 8600A -01 instruments.**

- a. Remove the phillips screw from the rear of the instrument.
- b. Remove the case; pull it straight back from the front panel.
- c. Locate the power selection switch; near the rear of the main pcb assembly.
- d. For 100 or 115V ac operation position the slide switch so that 115 appears in the slide aperture. For 230V/240V ac operation set the switch so 230 appears.
- e. Replace the case and phillips screw.

2-8. The rear panel power input connector is a three-prong, U-ground connector which permits the instrument to be connected, via the power cord, to the appropriate line power. The offset prong on this connector is connected to the 8600A power supply, and should be connected, via the power cord, to a high quality earth ground.

2-9. RACK INSTALLATION

2-10. The 8600A is designed for either bench-top use or for installation in a standard 19-inch equipment rack using an optional accessory rack mounting kit. Rack mounting kits are available for left, right, center, or side-by-side mounting of the 8600A. Information regarding installation of the rack-mounting accessories is given in Section 6 under Rack Installation.

2-11. OPERATING FEATURES

2-12. The location of all 8600A controls, indicators and connectors are shown in Figure 2-1, and described in Table 2-1.

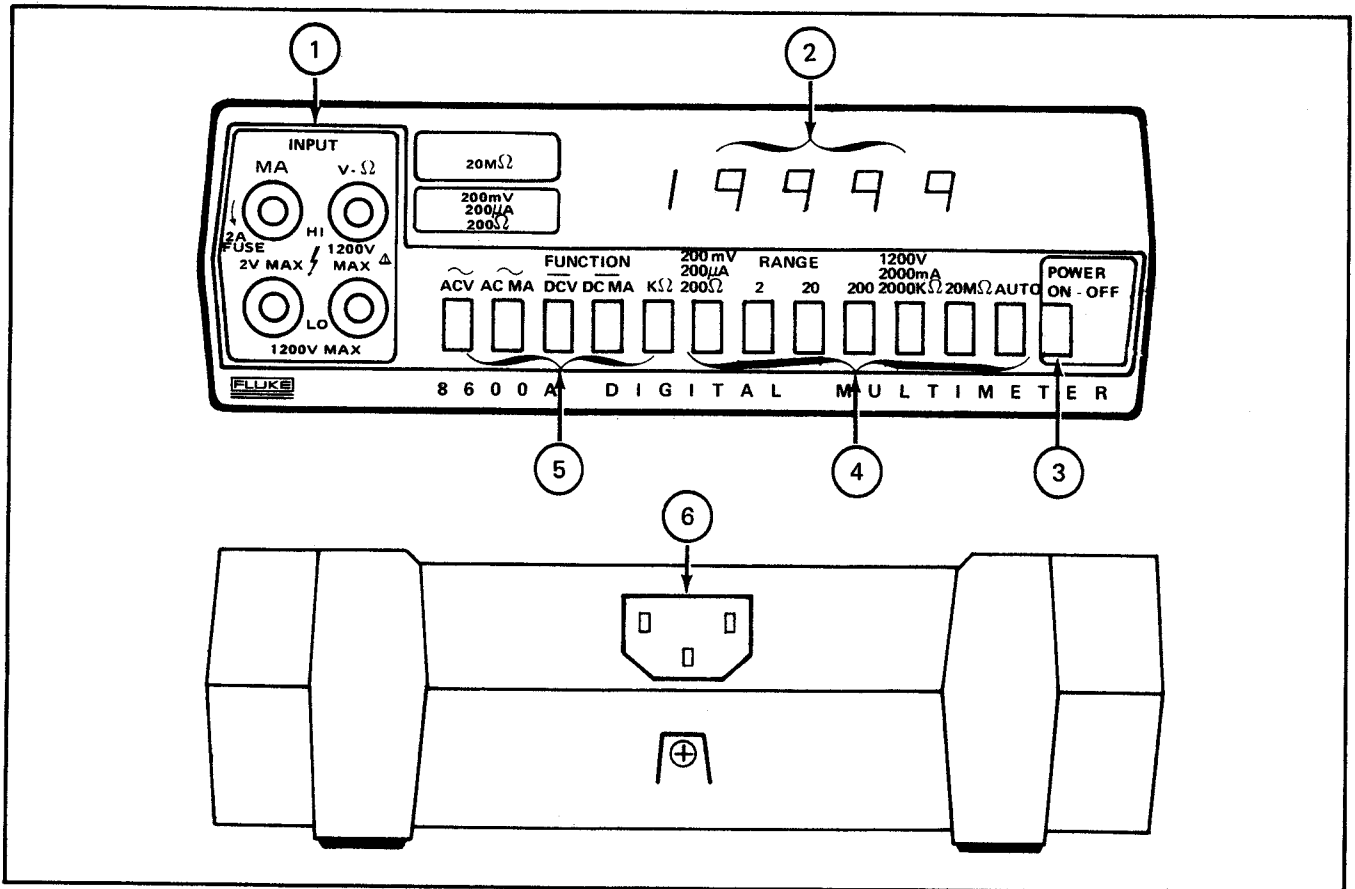


Figure 2-1. 8600A CONTROLS, INDICATORS AND CONNECTORS

Table 2-1. 8600A CONTROLS, INDICATORS AND CONNECTORS

FIG. 2-1 REF. NO.	NAME	FUNCTION
1	INPUT Connectors	Provides the input connections necessary to make current (MA), voltage (V), or resistance (Ω) measurements. All measurements are referenced to the LO INPUT terminals.
2	Digital Readout	Provides a $4\frac{1}{2}$ digit display (19999 maximum) or the measured input. The readout also includes a properly positioned decimal point, and a + or - sign for dc voltage and current measurements.
3	POWER Switch	Switches the instrument on or off. The instrument is turned on when the switch is depressed.
4	RANGE Switches	Provide pushbutton selection of ranges which correspond to the selected function (current, voltage, or resistance). The available ranges are: Voltage: 200 MV, 2, 20, 200, 1200V and AUTO Current: 200 μ A, 2, 20, 200, 2000 MA Resistance: 200 Ω , 2, 20, 200, 2000k Ω , 20M Ω , and AUTO
5	FUNCTION Switches	Provide pushbutton selection of one-of-five measurement functions; ACV, AC MA, DCV, DC MA, or K Ω .
6	Input Power Connector	Provides the means of connecting the instrument through the power cord to the ac power line.

2-13. OPERATING NOTES

2-14. The following paragraphs describe various conditions which should be considered before operating the 8600A.

2-15. Option Information

2-16. Supplementary information is necessary when operating an 8600A which is equipped with one of the available options. Detailed information regarding the operation of each available option is given in Section 6, Options and Accessories.

2-17. Fuses

2-18. The 8600A is equipped with a line power fuse, and a current overload fuse for the current measuring function. The line fuse is located near the transformer on the inside of the instrument. The following procedure should be carried out only by qualified personnel. To gain access, remove ac power, remove the retaining screw on the rear of the case and remove the instrument from the case. When replacement is necessary, use an AGC 1/8A fuse. The current input fuse is located behind the front-panel MA INPUT terminal, and is accessed by turning (ccw) and removing the MA INPUT terminal. Use a John Fluke 376582 replacement fuse or equivalent 2A fast-blo fuse (AGX) 1 inch in length.

2-19. Overrange Indication

2-20. The front panel display, in addition to providing a measurement reading, is designed to serve as an overrange indicator. When the full scale capability of the selected range for any function is exceeded, the display will blink while indicating a 18888 reading. The presence of an overrange indication does not necessarily mean that the instrument is being exposed to a damaging input condition.

2-21. Input Overload Protection



CAUTION

Exceeding the maximum input overload conditions can damage the 8600A.

2-22. Each range and function of the 8600A is equipped with input overload protection. The maximum allowable input overload conditions for each function and range are given in Table 2-2.

2-23. Autoranging

2-24. Autoranging can be selected when the 8600A is in the VDC, VAC, or K Ω functions. When the AUTO pushbutton is depressed the 8600A will select the lowest range that will display the value of the input signal without causing an overrange indication. Autoranging stops when one of the individual range pushbuttons is depressed.

Table 2-2. BASIC MEASUREMENT INSTRUCTIONS

DESIRED MEASUREMENT	8600A				REMARKS
	SELECT FUNCTION	SELECT RANGE	INPUT CONNECTION	MAXIMUM INPUT	
DC Volts	DCV	200 MV, 2, 20 200, or 1200V	V- Ω and V- Ω LO	1200V dc or 1700V peak ac, any range	Auto-polarity Auto-ranging
DC Milliamperes	DC MA	200 μ A, 2, 20 200 or 2000MA	MA and MA LO*	2A (Fuse Protected)	Manual-ranging Auto-polarity
AC Volts	ACV	200 MV, 2, 20	V- Ω and V- Ω LO	1200V rms (sinusoidal), 1700V peak ac, any range	Auto-ranging Average Responding calibrated to read rms ac volts
AC Milliamperes	AC MA	200 μ A, 2, 20 200, or 2000 MA	MA and MA LO*	2A (Fuse Protected)	Manual-ranging Average Responding
Kilohms	k Ω	200 Ω , 2, 20, 200, 2000 k Ω or 20 M Ω	V- Ω and V- Ω LO	250V dc or 250V ac peak, any range	Auto-ranging

**CAUTION: Do not use V- Ω LO for current measurements, as damage to the multimeter may result.*

2-25. OPERATION

2-26. Use the following procedure for initial turn-on of the 8600A;

- a. Connect the instrument to ac line power. (See Paragraph 2-6)
- b. Depress the POWER switch.
- c. In accordance with Table 2-2, select the desired function and range; connect the test leads to the corresponding input connectors.

NOTE

Supplemental instructions may be required for instruments with options installed. These instructions, if any, are given in Section 6, Options and Accessories.

CAUTION!

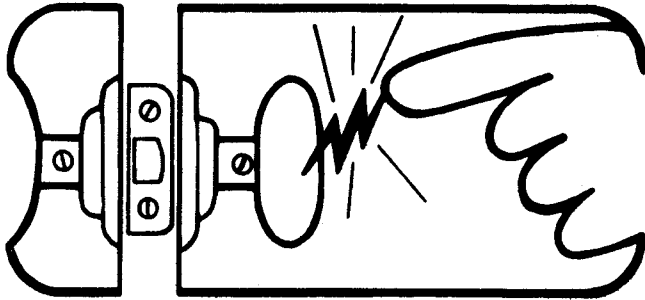
Do not use $V\Omega$ LO for current measurements as damage to the 8600A may result.



static awareness



A Message From
John Fluke Mfg. Co., Inc.



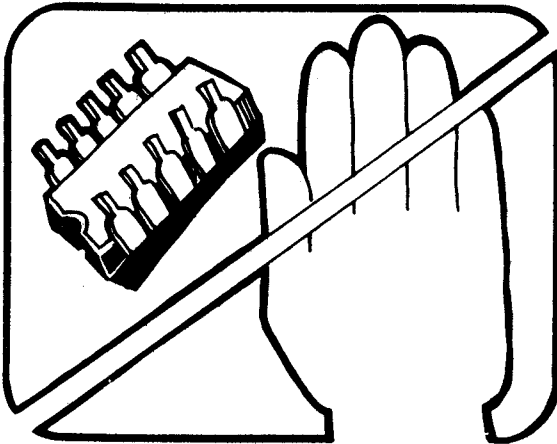
Some semiconductors and custom IC's can be damaged by electrostatic discharge during handling. This notice explains how you can minimize the chances of destroying such devices by:

1. Knowing that there is a problem.
2. Learning the guidelines for handling them.
3. Using the procedures, and packaging and bench techniques that are recommended.

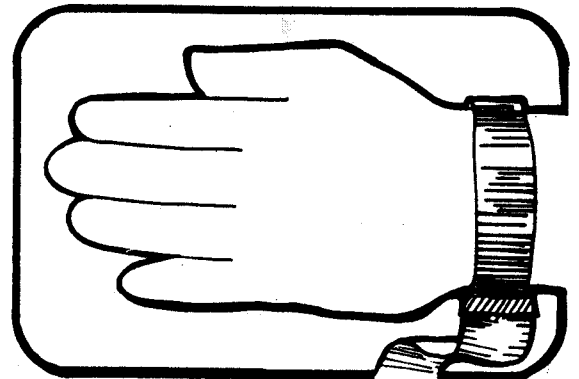
The Static Sensitive (S.S.) devices are identified in the Fluke technical manual parts list with the symbol



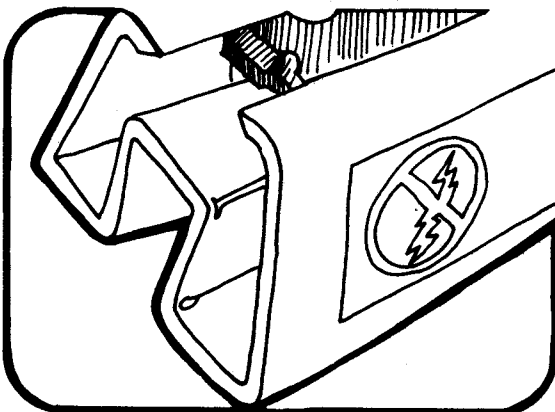
The following practices should be followed to minimize damage to S.S. devices.



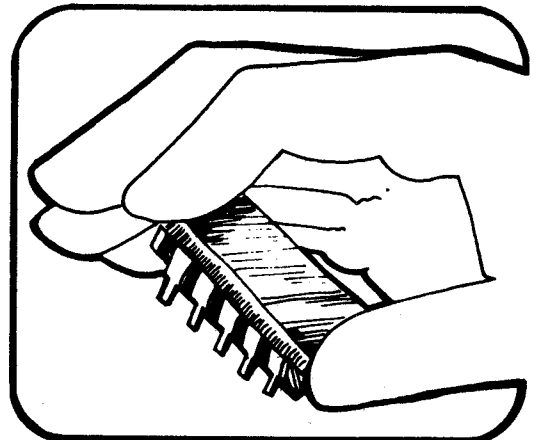
1. MINIMIZE HANDLING



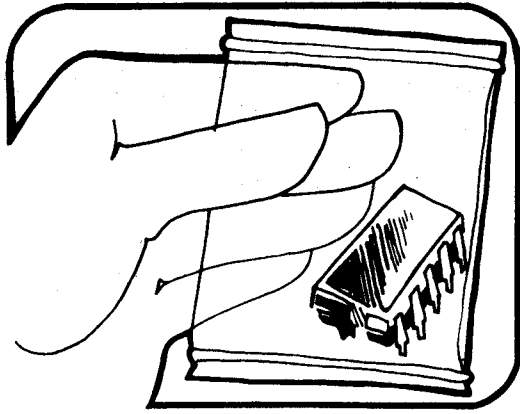
3. DISCHARGE PERSONAL STATIC BEFORE HANDLING DEVICES. USE A HIGH RESISTANCE GROUNDING WRIST STRAP.



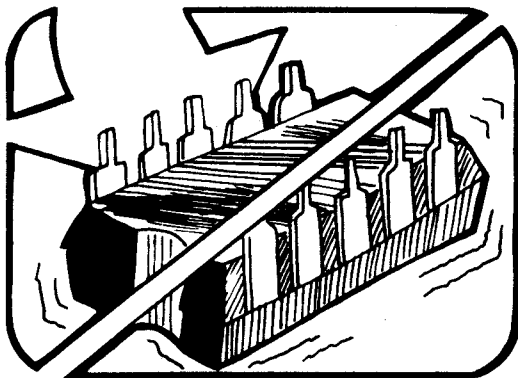
2. KEEP PARTS IN ORIGINAL CONTAINERS UNTIL READY FOR USE.



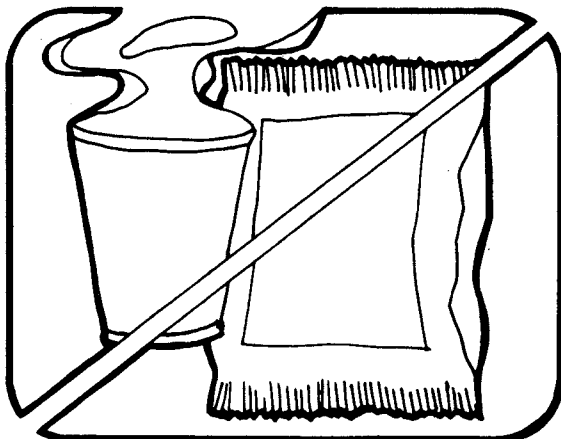
4. HANDLE S.S. DEVICES BY THE BODY



5. USE STATIC SHIELDING CONTAINERS FOR HANDLING AND TRANSPORT

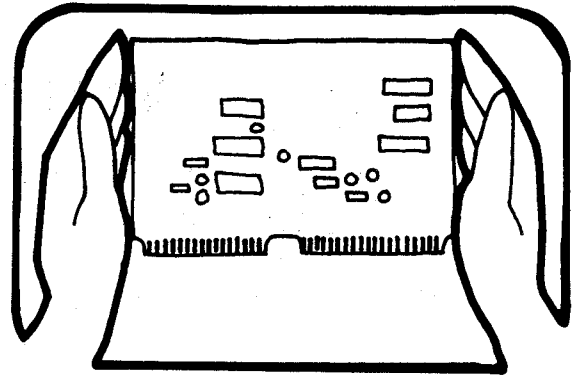


6. DO NOT SLIDE S.S. DEVICES OVER ANY SURFACE

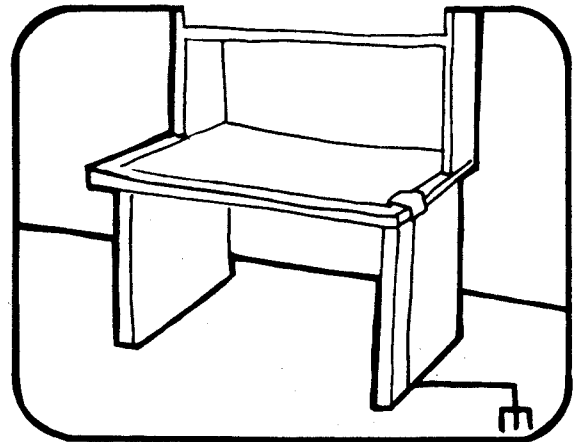


7. AVOID PLASTIC, VINYL AND STYROFOAM® IN WORK AREA

PORTIONS REPRINTED
WITH PERMISSION FROM TEKTRONIX, INC.
AND GENERAL DYNAMICS, POMONA DIV.



8. WHEN REMOVING PLUG-IN ASSEMBLIES, HANDLE ONLY BY NON-CONDUCTIVE EDGES AND NEVER TOUCH OPEN EDGE CONNECTOR EXCEPT AT STATIC-FREE WORK STATION. PLACING SHORTING STRIPS ON EDGE CONNECTOR HELPS TO PROTECT INSTALLED SS DEVICES.



9. HANDLE S.S. DEVICES ONLY AT A STATIC-FREE WORK STATION
10. ONLY ANTI-STATIC TYPE SOLDER-SUCKERS SHOULD BE USED.
11. ONLY GROUNDED TIP SOLDERING IRONS SHOULD BE USED.

A complete line of static shielding bags and accessories is available from Fluke Parts Department, Telephone 800-526-4731 or write to:

JOHN FLUKE MFG. CO., INC.
PARTS DEPT. M/S 86
9028 EVERGREEN WAY
EVERETT, WA 98204

Section 3

Theory of Operation

3-1. INTRODUCTION

3-2. The theory of operation for the Model 8600A is arranged under two major headings. The first, titled **OVERALL FUNCTIONAL DESCRIPTION**, discusses the overall operation of the instrument in terms of the functional relationships of the major circuits. The second section is titled **CIRCUIT DESCRIPTION** and deals with the internal operation of each major circuit in more detail. Block diagrams and simplified circuit diagrams are included in these sections. The complete schematic diagrams are located in Section 8 of this manual.

3-3. OVERALL FUNCTIONAL DESCRIPTION

3-4. Introduction

3-5. The 8600A circuitry can be divided into three major sections. The first of the three sections, termed **Input Signal Conditioners**, (see Figure 3-1) comprises the **Input Divider**, **Ohms Converter**, **AC Converter** and **Current Shunt**. The second section is the **A/D (analog-to-digital) Converter** and the third is the **Control and Display** section. The basic operational relationship of these functional areas will be discussed in the following paragraphs.

3-6. Input Signal Conditioners

3-7. The term, **input signal conditioner**, describes the basic function of the four subsections grouped under it. The **input divider**, **current shunts**, **ohms converter**, and **ac converter** provide the **A/D converter** with a **dc analog voltage** representative of the input (**ac volts**, **dc volts**, **ac current**, **dc current**, or **resistance**) applied to the instrument. The path that each input signal follows as it is conditioned for the **A/D converter** is illustrated in Figure 3-1.

3-8. DC voltages applied to the input terminals are directed via function switch contacts directly to the **A/D converter** in the **200 mV** and **2V** ranges but to the **input divider** in higher ranges. The **input divider** divides it by **10**, **100** or **1000** in the **20**, **200** and **1200** volt ranges respectively. The **A/D converter** is provided with a **dc voltage level**, representing full scale, of **200 mV** for the **200 mV** range and **two volts** for the **2V** through **1200V** ranges.

3-9. An **ac voltage input** to the instrument is applied through switch contacts to the **ac converter**. The converter then changes the **ac input** to an equivalent **dc voltage** for the **200 mV** and **2V** ranges. In the **20 V** through **1200 V** ranges the feedback within the **ac converter** is changed by **reed relays** so that the **dc voltage output** to the **A/D converter** is **two volts** for a full scale indication on the **20 V** and **200 V** ranges and **1.2 volts** on the **1200 V** range.

3-10. When making a **resistance measurement** the unknown resistance, connected across the input, is supplied with a known value of current by the **ohms converter** and **input divider**. The voltage drop across the unknown resistance is then applied to the **A/D converter** as a direct representation of that resistance. The **input divider** is used to change the amount of current applied to the unknown resistance when different ranges are selected.

3-11. When making **current measurements** (**ac** or **dc**) the unknown current is applied directly, via the **MA INPUT** terminals, to the **current shunt**. The unknown current is directed, via the range switch contacts, through a **precision resistor network** so that the voltage developed

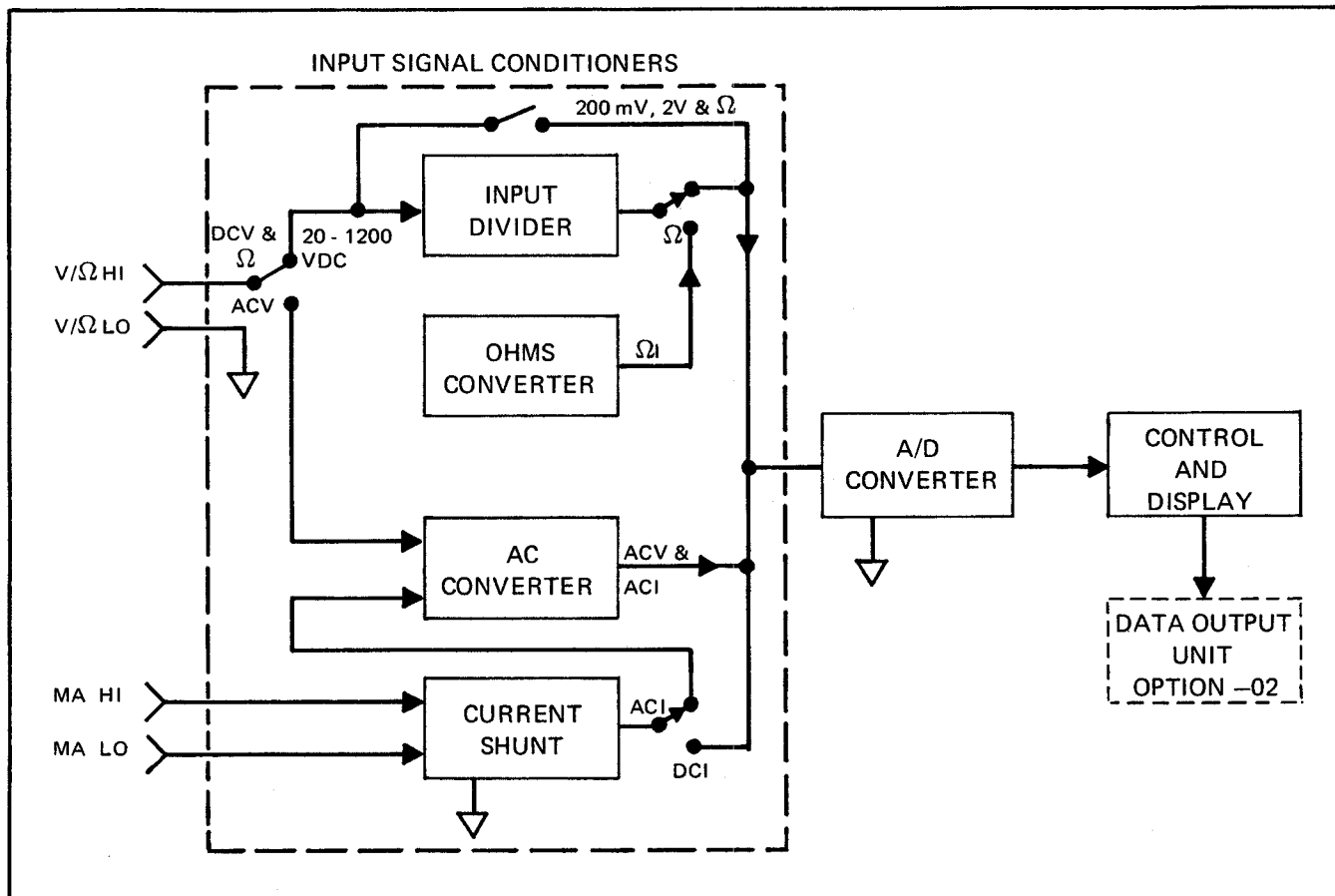


Figure 3-1. OVERALL FUNCTIONAL BLOCK DIAGRAM

across the known resistance is representative of the unknown current. In the case of dc current inputs the representative dc voltage is applied directly to the A/D converter, while in the case of ac current inputs the representative ac voltage is directed to the ac converter first and then to the A/D converter as an equivalent dc voltage.

3-12. A/D Converter

3-13. The A/D Converter receives the dc voltage output from one of the Input Signal Conditioners and integrates it for 100 mS. Figure 3-2 is an illustration of the output of the integrator. The slope of the integrator output voltage during the Integrate Period is directly proportional but opposite in polarity to the A/D Converter input. At the end of the integrate period the signal conditioner output is disconnected from the A/D input and a dc reference voltage is connected to the input. The A/D converter then integrates the reference voltage, of opposite polarity, which results in a constant slope returning the integrator output toward zero (Read Period). Since the read period slope is held constant the time required for the A/D integrator output voltage to return to zero is proportional to the instrument input.

3-14. The digital representation of the input is obtained by counting the number of cycles of a clock frequency that occur from the start of the read period to the point where the A/D integrator output voltage returns to the zero detect level. The A/D Converter supplies the Control and Display section with a compare signal at the end of the read period. The compare signal stops the counting of the clock oscillator pulses so that the analog value of the instrument input is now digitally represented by the number of oscillator pulses counted in the $4\frac{1}{2}$ digit counter.

3-15. Control and Display

3-16. The Control and Display section provides the properly timed signals that direct the correct Input Signal Conditioner output to the A/D Converter during the integrate period. At the end of integrate time period the Control and Display section connects the appropriate reference supply to the A/D Converter input for the read period. The output of a 1 MHz oscillator is used to maintain the proper timing of the control signals as well as provide the base frequency from which the 100 kHz clock signal for the read period is produced.

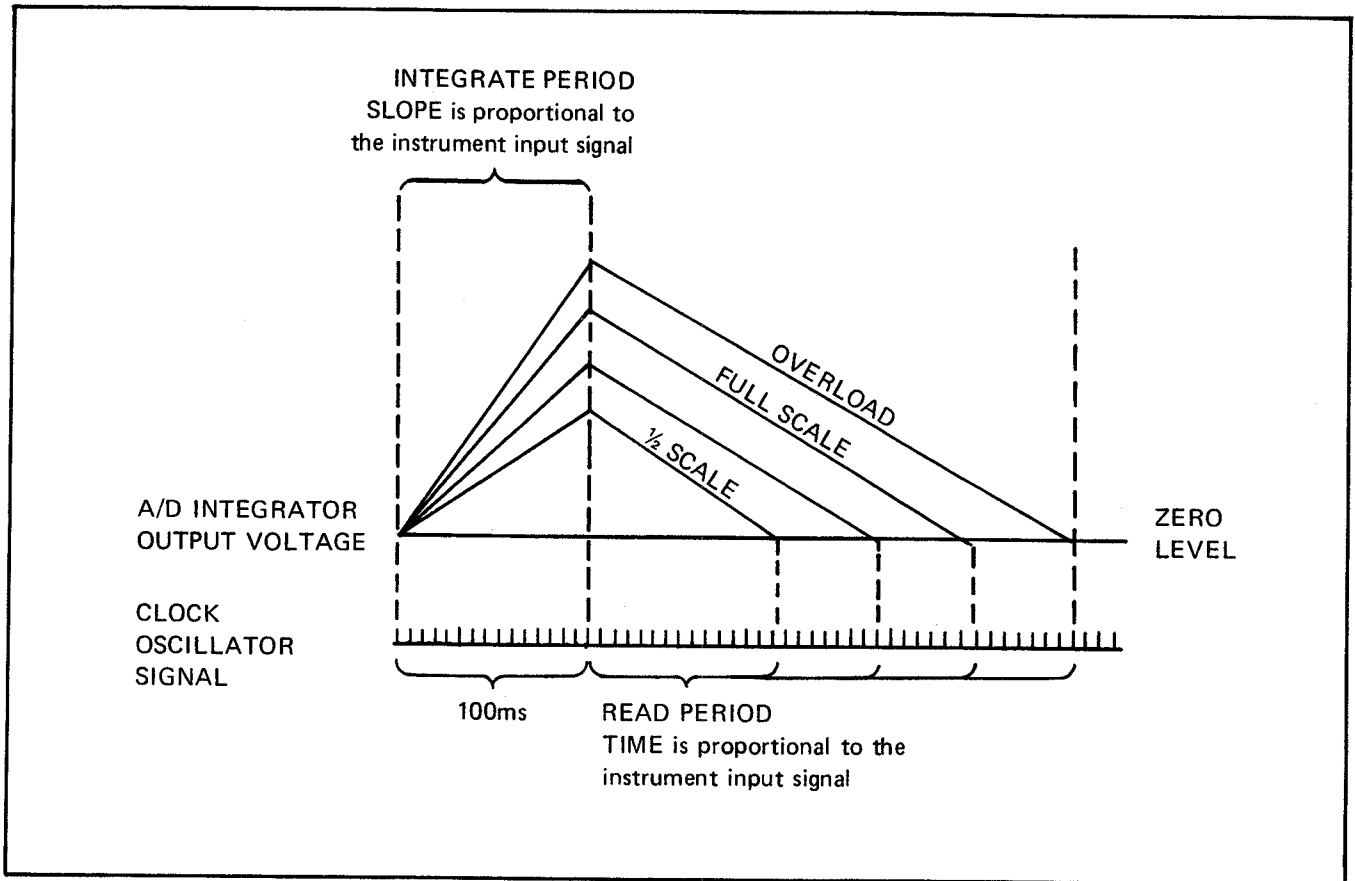


Figure 3-2. TIMING DIAGRAM FOR DUAL-SLOPE A/D CONVERSION

3-17. The clock oscillator pulse count, accumulated during the read period, is applied to the LED display to produce the digital readout of the instrument input signal. The range information from the selected range switch positions the decimal point and illuminates the proper display annunciator.

3-18. Data Output Unit (DOU)

3-19. The DOU provides the display data as a rear panel card-edge output. The bcd information presented to the instrument display (polarity, overload, range code, and digit) is also applied to the DOU input. A busy flag is provided so that the output data may not be used while the 8600A is feeding a new input measurement to the DOU. A register pulse train plus one of the data strobe signals time the data transfer to insure that all the data supplied to the DOU output is stable and not taken during transition periods. For detailed information refer to Section 6.

3-20. CIRCUIT DESCRIPTION

3-21. The following circuit descriptions are keyed to the functional blocks defined in the overall functional block diagram of Figure 3-1. Corresponding functional blocks are defined in more detail using either simplified block dia-

grams or by referring to the schematics. Schematics for the 8600A circuits are provided in Section 8.

3-22. Input Signal Conditioners

3-23. INPUT DIVIDER

3-24. The Input Divider comprises a series connected resistor network (R3, R4, R5, R6, R7, and R8) totaling approximately ten megohms. This network is tapped at three points to provide division ratios of 10:1, 100:1, and 1000:1. Relays K2, K3, and K4 each select one of the division ratios; as directed by the range switches.

3-25. OHMS CONVERTER

3-26. The Ohms Converter produces a known amount of current that, when applied to an unknown resistance (R_x) connected across the $V\Omega$ terminals, will develop a voltage (V_x) proportional to the value of R_x . Producing the known amount of current is accomplished with a current follower, U1, two feedback loops, and a current source (U3 and Q3). One feedback loop is from the $V\Omega$ HI terminal to the non-inverting input of U1 (Pin 3). The voltage of this loop is applied to the A/D Converter. The other feedback loop is from the output of U1 through R20 and R90 to the inverting input of U1 (Pin 2). The current source (U3 and Q3)

controls the loop and consequently the bias on U1. The current output from U1 changes for each range (refer to table 3-1) but is constant within each range. Figure 3-3 is a simplified circuit diagram.

3-27. With $R_x = 0$ ($V\Omega$ HI shorted to $V\Omega$ LO) there is 0V at the noninverting input of U1. U3 has a negative reference voltage applied to its noninverting input and a greater negative voltage applied to its inverting input. This produces a positive output from U3 and allows Q3 to conduct. Q3 conducts an amount of current such that the voltage drop on R35 equalizes the input voltages on Pins 2 and 3 of U3. The amount of current required by Q3 is constant in all operating conditions. As Q3 is turned on, a negative voltage is applied to the inverting input of U1. The negative input causes the output of U1 to go positive until the current through R20 and R90 satisfies the current requirement of Q3. The voltages at that point are +10V out of U1, and 0V at the inverting input of U1, matching the 0V at the noninverting input of U1. The 10V out of U1 is dropped across the input divider network. Ten volts is maintained across the input divider in all ranges except the 20 M Ω range. Relay K5 energizes in the 20 M Ω range to change the feedback loop (R20 and R90) by a factor of

ten with R22 and R41. The output of U1 changes from 10V to 1V and only 1V is dropped by the input divider. The value of I_x is dependent on the range relays.

3-28 As R_x increases from 0, V_x (at the $V\Omega$ HI terminal) also increases from 0V proportional to the value of R_x . V_x appears at the noninverting input of U1 and at the input to the A/D Converter. U1 is turned on more and the output voltage increases until the voltage at the inverting input of U1 equals V_x at the noninverting input. The output voltage of U1 equals $10V + V_x$. Since the current drawn by U3 and Q3 is constant, 10V is always dropped by R20 and R90 (except in the 20 M Ω range) and the voltages at the output of U1 and the inverting input of U1 track any changes in V_x (and R_x) at the inverting input of U1. So within each range the current is constant and the voltage, V_x , at the $V\Omega$ terminals is proportional to R_x .

3-29 If the voltage at the input terminals is too small or exceeds 2V, autoranging is initiated in the DVM IC (U8). The voltage, (V_x) is held below a maximum of 5V. As V_x increases toward 5V, Q13 and Q12 begin to conduct, holding the voltage at the inverting input of U1 below 5V. Q11 serves as a current sink and holds the noninverting input of U1 below 5V.

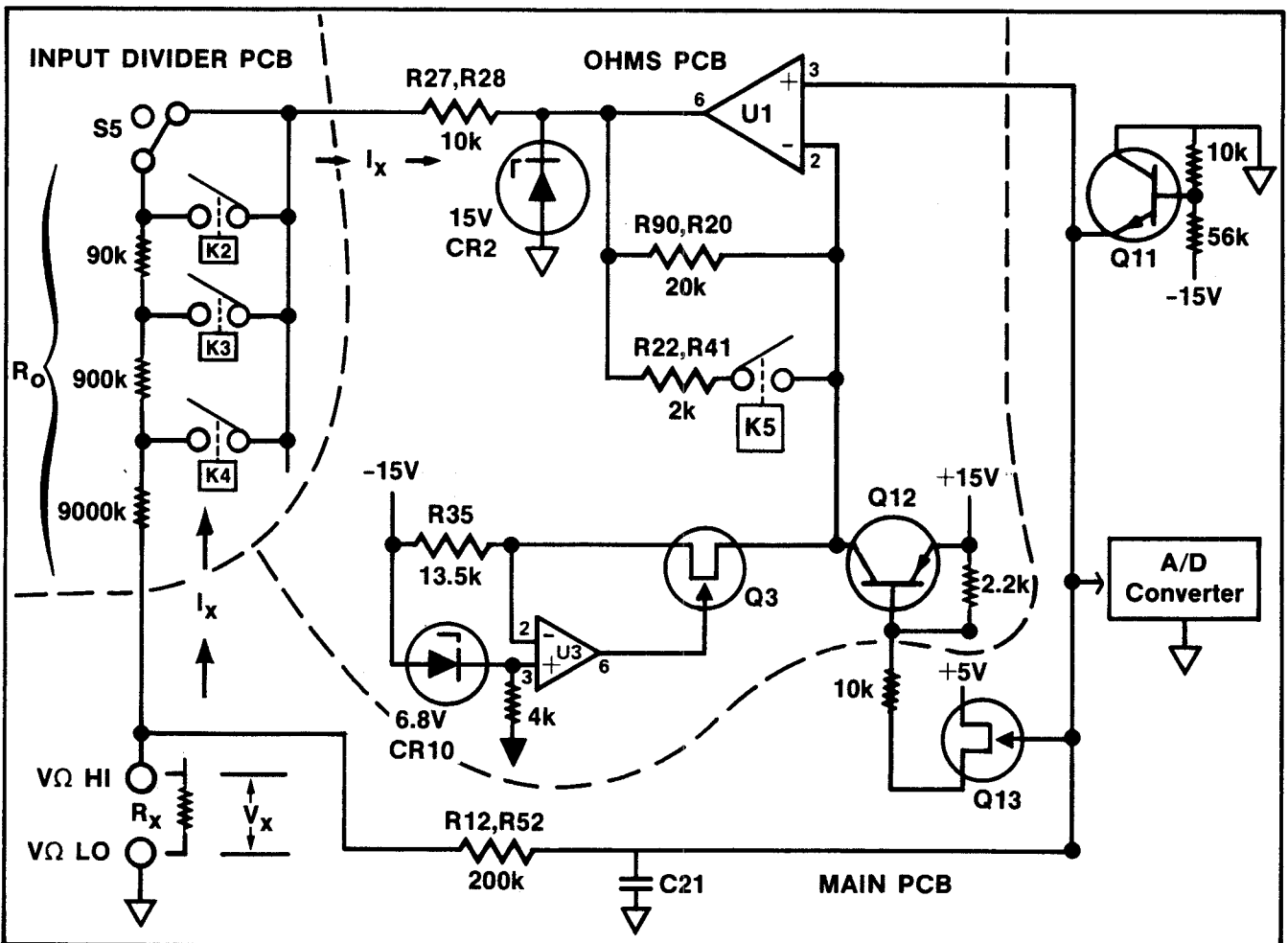


Figure 3-3 OHMS CONVERTER BLOCK DIAGRAM

Table 3-1. OHMS CONVERTER OPERATING CONDITIONS

8600A RANGE	R _o	R _o + 10KΩ	I _x	R _x Max.	RANGE RELAY				A-D RANGE
					K2	K3	K4	K5	
20MΩ	9990KΩ	10,000KΩ	0.1μA	20MΩ				X	2V
2000KΩ	9990KΩ	10,000KΩ	1μA	2000KΩ				X	2V
200	990KΩ	1,000KΩ	10μA	200KΩ	X				2V
20	90KΩ	100KΩ	100μA	20KΩ		X			2V
2	0Ω	10KΩ	1000μA	2KΩ			X		2V
200Ω	0Ω	10KΩ	1000μA	200Ω			X		0.2V

Table 3-2. AC CONVERTER RELAY OPERATION

8600A RANGE	K4	K6	K7	K8	A-D RANGE
1200VAC	X			X	2V
200VAC	X		X		2V
20VAC	X	X			2V
2VAC	X				2V
200mVAC	X				0.2V

3-30. AC CONVERTER

3-31. The AC Converter produces a dc output voltage proportional to the ac input voltage. Table 3-2 presents the relay conditions for each ac volts range; relay K4 is located on the Input Divider pcb and closes to apply the

AC Converter output to the A-D Converter. Figure 3-4 is a simplified circuit diagram of the AC Converter.

3-32 With no ac signal applied to the VΩ terminals, Q1, U1, and Q7 are biased on such that the current flowing through CL1 and Q7 produces 0V at the collector of Q7. An ac signal is coupled by C1 from the VΩ terminals to input impedance resistor, R17. The ac signal is then applied to the inverting input of Q1 and U2. The network composed of Q1, U2, CR5, Q7, CR11, CR12, and R46 (or R37, R47, and R38 depending on the range selected) is a form of logarithmic amplifier. The net result is that the dc level detected by CR12 and filtered by the low pass (L.P.) filter is proportional to the RMS equivalent of the ac voltage applied to the VΩ terminals. The dc level from the L.P. filter is applied to the A/D Converter. The degree of logarithmic response is determined by the feedback resistance

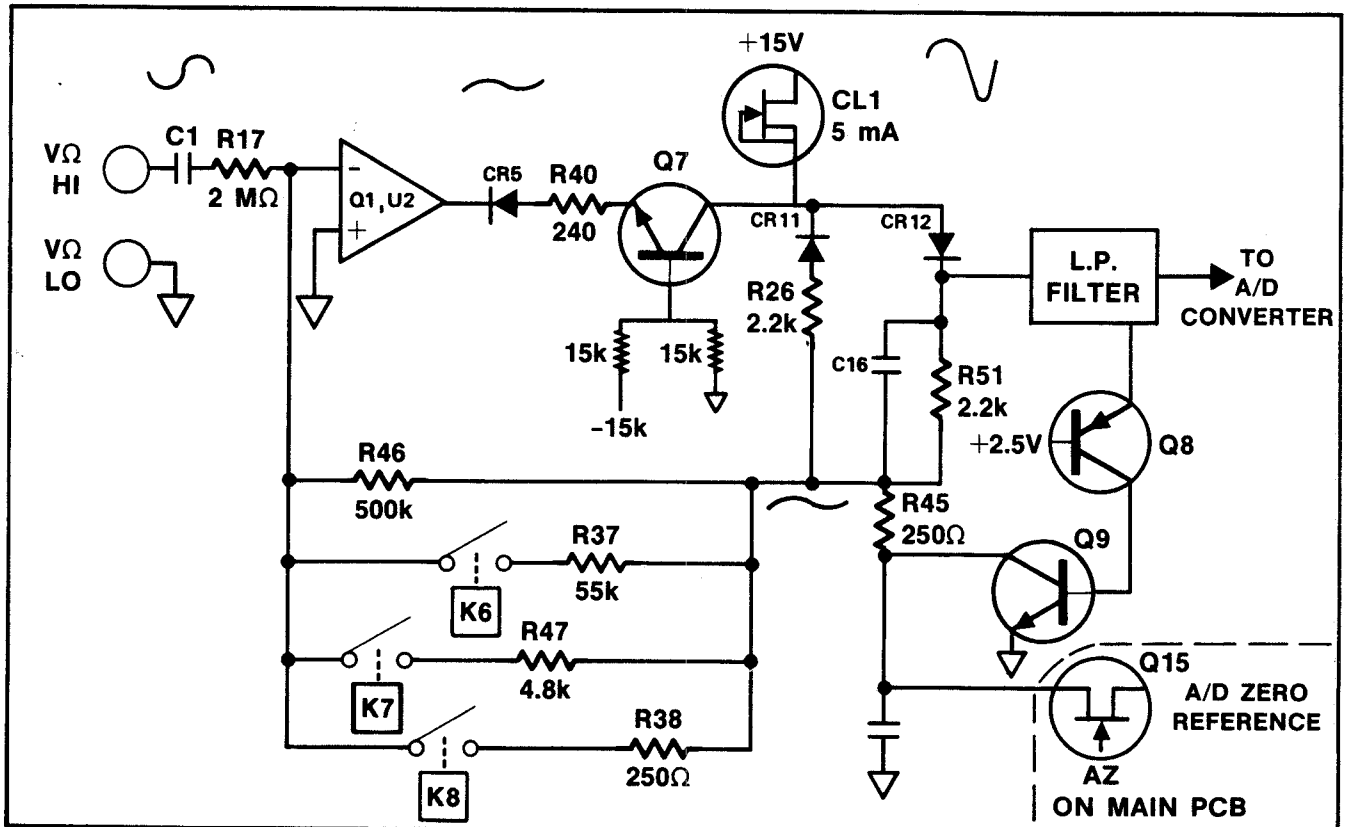


Figure 3-4 AC CONVERTER BLOCK DIAGRAM

(R46, R37, R47, and R38) selected by the range relays. The positive half of the signal applied to CR12 is distorted by the action of Q7 and CL1. CL1 presents a variable load to Q7 so that for the positive half cycle, as Q7 draws less current, the voltage on the collector of Q7 rises more rapidly than it would with a purely resistive load. The distortion is introduced to minimize errors in small signal measurements caused by the turn-on time of CR12. The distortion is removed for feedback purposes by the arrangement of R51, C16, and R26. During autozero the A/D Converter is referenced to the offset voltage (stored on capacitors) created by the bias requirements of the circuit. The offset voltage reference is protected from over-voltage conditions by Q8 and Q9.

3-33. CURRENT SHUNT

3-34. The Current Shunt produces an output voltage (ac or dc) proportional to the current (ac or dc) applied to the input. A schematic diagram of the Current Shunt is located in Figure 8-1.

3-35. The Current Shunt consists of series connected shunt resistors R13, R14, R15, R16, and R2, contacts of range switches S6 through S10, and input protection components F1, CR1, CR2, CR6 and CR8. The input current is applied across a portion of the shunt resistor network via contacts of the selected range switch. The voltage developed by the current flow through the shunt resistance for direct current inputs is applied to the A-D Converter; for alternating current the developed ac voltage is applied to the AC Converter.

3-36. The Current Shunt is not only protected against inputs exceeding two amperes, as provided by fuse F1, it is also protected from possible damage caused by an overrange input. Diodes CR1, CR2, CR6, and CR8 will start to conduct if the voltage drop across the shunt resistors exceeds 1.2 volts.

3-37. A/D Converter

3-38. The A-D Converter uses a dual-slope conversion technique. The dc voltage at the input of the A-D Converter is integrated (charges a capacitor) for a controlled amount of time (100 ms). The level to which the capacitor is charged is directly proportional to the level of dc voltage applied to the input. The charged capacitor is then discharged at a controlled rate so that the discharge time is proportional to the level of charge on the capacitor. The discharge time is measured by counting the number of cycles of a reference frequency that occur from the start of discharge to the point where the capacitor reaches a selected zero detect level. Figure 3-5 is a basic illustration of the A-D Converter. The Input Divider is shown as the A-D Converter input voltage source.

3-39. The dc voltage from the input divider is gated through Q14 to the noninverting input of buffer, U4, by the 100msec integrate (INT) control signal. The output of U4 is applied to the inverting input of integrator, U5. C28 is charged by U5 and U4 through R80, except that in the lowest range the charge path is through R66 and R80. The slope of the output voltage from U5 is proportional and opposite in polarity to the level of the dc voltage from the input divider. The output of U5 is applied to the input of comparator, U6. As the output of U5 changes away from OV, the output of U6 changes from random noise to a steady state of either OV or +5V, depending on the polarity of the dc voltage from the input divider. At the end of the integrate period Q14 is turned off, U4 and U5 no longer charge C28, and the charge on C28 is held. Also at the end of the integrate period, the state of the output of U6 is memorized in the DVM IC, U8. An appropriate read reference is selected in U8. DE(+R) is selected for negative voltages from the input divider, or DE(-R) is selected for positive voltages. DE(+R) enables Q16, which applies the +1V reference from U17 to the input of U4. DE(-R) enables Q21, which applies the -1V charge on C22 to the input of U4 (in the lowest range $\pm 1V$ is selected as the reference). A delay of 15 μ sec is introduced in U8 between application of the read reference and the start of the counter. The delay allows adjustment of the zero detect level for comparator, U6. The read reference voltage applied to U4 allows U4 and U5 to discharge C28. The slope of the output of U5 is always the same for the reference applied (1V or .1V). The charge on C28 is proportional to the voltage from the input divider. Therefore the time required to discharge C28 is proportional to the voltage from the input divider. When the output of U5 crosses the zero detect level, the output of U6 changes state, producing the compare output applied to U8. The compare signal stops the counter in U8. The number of counts is proportional to the voltage from the input divider.

3-40. After the A-D Converter has integrated the unknown input voltage, integrated the reference voltage, and produced the compare output; the circuits of the converter are zeroed for a new measurement. An auto zero (AZ) control signal from U8 will enable Q15 and Q22 to zero the comparator circuits. The AZ control signal will also enable Q17 to charge capacitor C22 to the reference voltage level. This provides the negative reference voltage, when Q21 is enabled, needed to process a positive input voltage.

3-41. The different zero detect levels applied to U6 compensate for the 15 μ sec delay introduced at the end of the integrate period. The delay and subsequently different zero detect levels are used to facilitate a solid zero display in the presence of noise with no input. Also errors due to noise are minimized. The zero detect levels are determined by the logic levels of the read reference switches and the associated resistive network.

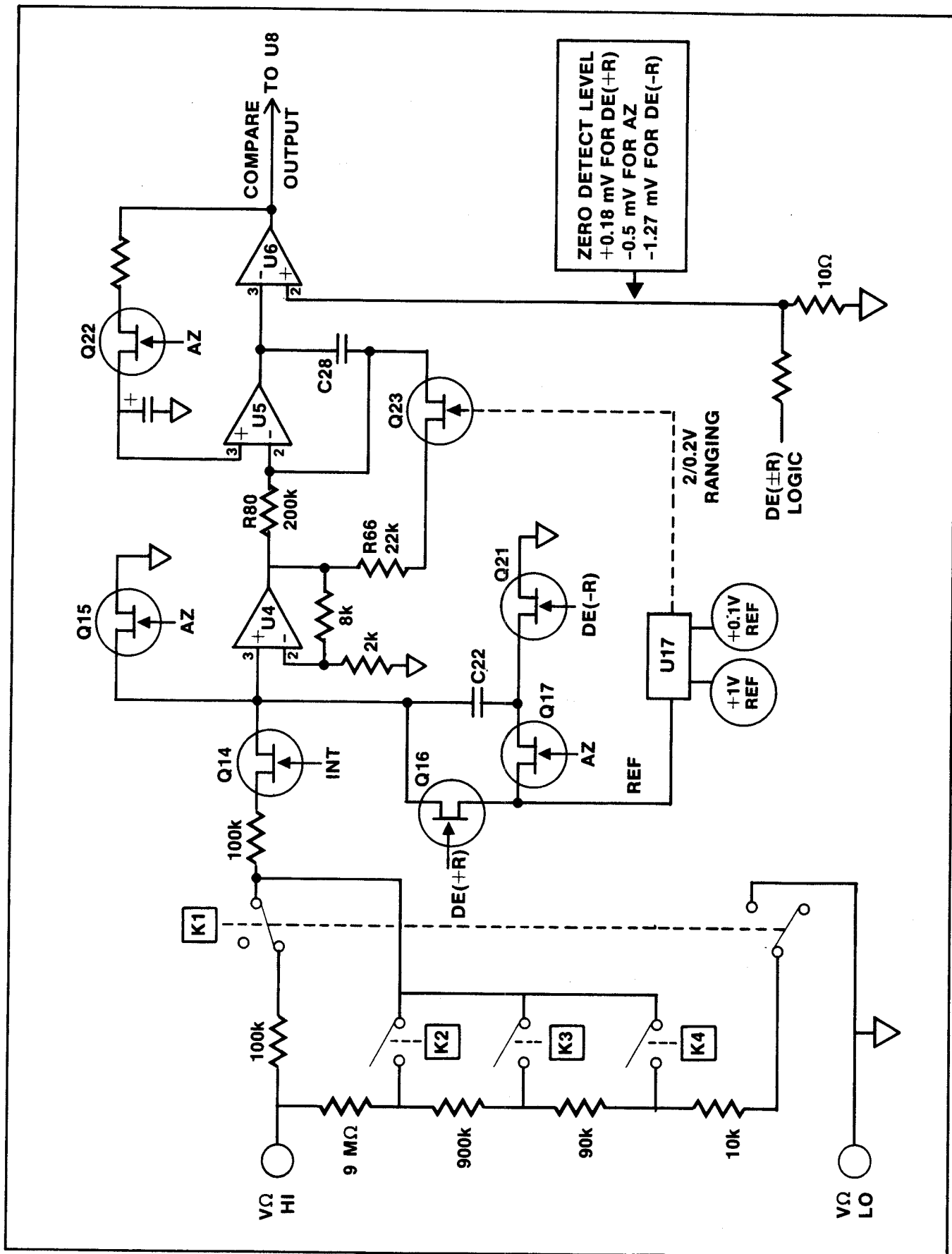


Figure 3-5 A/D CONVERTER BLOCK DIAGRAM

3-42. Control and Display

3-43. The control portion of the instrument consists of contacts of the range and function switches, a three-pole-double-throw switch U16, a bipolar ROM U9, and custom integrated circuit U8. The range and function switch positions in conjunction with strobe signal inputs to U16, control the illumination of the polarity indicator on the display and the selection of five or six ranges for the autorange feature. Refer to Figure 8-1 for the schematic diagram of the control circuits.

3-44 All timing and control information is developed in the DVM IC, U8, from an external clock consisting of Y1 and U7. Range information can be manually programmed by the front panel range and function switches, or automatically programmed by U8. Eight strobe signals (STO-ST7) are developed in U8 and are used for range programming and display timing. Digit information from the counter is strobed out in bcd format on lines W, X, Y, and Z (weighted 8, 4, 2, and 1 respectively). The strobe signals are strobed sequentially but the digit information presented on W, X, Y, and Z is interleaved. The main significant digit (MSD) without polarity appears at STO. The MSD with polarity is presented at ST7. For the display, either STO or ST7 is selected by U16, which is programmed by the function switches. The second significant digit (2SD) appears on W, X, Y, and Z at ST2, the 3SD at ST4, the 4SD, at ST6, and the 5SD at ST1. W, X, Y, and Z present the digit information to a seven segment decoder, U10. The strobe signals light the appropriate display LED, U11-U15, through the strobe drivers, Q29-Q39. The decimal point logic (DPL) from U8 outputs a signal at the appropriate strobe signal. For the lowest range and the 20 M Ω range, lower or upper annunciators will light.

3-45 Range information outputs from U8 appear at a, b, and c (pins 29, 28, and 30) which are weighted 4, 2, and 1 respectively. The range information is also presented on W, X, Y, and Z at ST5 for the DOU output. The outputs at a, b, and c are steady state outputs applied to U9. U9 interprets the information and selects the appropriate relays. Range truth tables are included in table 4-12. In all cases the output of U9 goes low to select a relay because Relay Common is connected to +5V through S4A (DCmA). Relay, K1, is energized only in the 20V, 200V and 1200V ranges of the DCV function. K1 inserts the Input Divider between V Ω HI terminal and the A/D Converter. The lower two ranges are applied directly to the A/D Converter. In the lowest range for all functions U17 selects the .1V reference and switches R66 into the charge path of C28. In range programming U8 the α input sets the upper range limit and the β input sets the lower limit. Strobe signals are applied through U16 and the range switches to the α and β inputs. For manual range programming α and β are tied together by U16. S6-S11 apply the appropriate

ST signal (ST3 for the 20V range etc.). In autoranging β is always connected to ST1 as the lower limit and α is connected to ST5 (5 ranges) for DCV and ACV functions and to ST6 for the Ohms function.

3-46 For A/D Converter timing all outputs (INT, AZ, DE(+R), and DE(-R)) from U8 are logic NOT outputs. For example the INT output (pin 40) varies between OV and -15V. During the integrate signal pin 40 stops conducting and goes to -15V, biasing the driver, Q10, off. The gate of Q14 goes to -2V allowing it to conduct. At the end of the integrate signal pin 40 conducts and goes to OV, biasing Q10 on which drives the gate of Q14 to -15V, cutting Q14 off. The other control signals work the same way except that the gates of the FETs go to OV during their signal on times.

Section 4

Maintenance

WARNING!

THESE SERVICING INSTRUCTIONS ARE FOR USE BY QUALIFIED PERSONNEL ONLY. TO AVOID ELECTRIC SHOCK, DO NOT PERFORM ANY SERVICING OTHER THAN THAT CONTAINED IN THE OPERATING INSTRUCTIONS UNLESS YOU ARE QUALIFIED TO DO SO.

4-1. INTRODUCTION

4-2. This section of the manual contains information concerning maintenance and servicing of the Model 8600A Digital Multimeter. A calibration interval of 6 months is recommended to insure instrument operation within the 6 month specifications. Test equipment recommended for performance tests, calibration adjustments and troubleshooting is listed in Table 4-1. If the recommended equipment is not available, equipment of equivalent specifications may be used.

4-3. SERVICE INFORMATION

4-4. Each instrument manufactured by the John Fluke Mfg. Co., Inc. is warranted for a period of one year upon delivery to the original purchaser. The WARRANTY is printed on the back of the title page located at the front of the manual.

4-5. Factory authorized calibration and service for each Fluke product is available at various world wide locations. A complete list of these Technical Centers is included in Section 7. Shipping information is given in Section 2 of this manual. If requested, an estimate will be provided to the customer before any repair work is begun on instruments that are beyond the warranty period.

Table 4-1. REQUIRED TEST EQUIPMENT

NOMENCLATURE	MINIMUM USE SPECIFICATIONS	RECOMMENDED EQUIPMENT
AC Calibrator	Voltage Range: 0 to 1000V ac Frequency Range: 30Hz to 100 kHz Voltage Accuracy: 30 Hz to 50 Hz 0.05% 50 Hz to 10 kHz 0.02% 10 kHz to 100 kHz 0.05%	John Fluke Model 5200A and 5205A
DC Calibrator	Voltage Range: 0 to 100V dc Accuracy: $\pm 0.003\%$	John Fluke Model 343A
DC Current Calibrator	Current Range: 0 to 2 mA Accuracy: 0.006%	John Fluke Model 382A
DC Current Calibrator	Current Range: 2 mA to 2A Accuracy: 0.02%	John Fluke Model 382A
Digital Multimeter	Voltage Accuracy: 0.1% Input Impedance: 1000M Ω	John Fluke Model 8600A
Resistor Decade	Resistance Accuracy: $\pm 0.01\%$	ESI 1063B
Oscilloscope	General Purpose with 10 M Ω probe	Tektronix 465

4-6. GENERAL MAINTENANCE

4-7. Access/Disassembly

4-8. Use the following procedure to gain access to the interior of the 8600A.

- a. With the power switch in the OFF position, disconnect the line cord.
- b. Remove the Phillips screw from the rear of the instrument case.
- c. Remove the instrument from the case.

4-9. The ohms converter, ac converter and input divider printed circuit boards can be removed from the main board. The ohms converter and input divider boards can be removed by pulling them straight up from the main board until they are free of the connector pins. The ac converter, however, must be removed with care because of a wire connection to the ACMA switch. When the ac converter is free of the connector pins it should then be held to one side so the buss wire can be disconnected.

NOTE!

When reinstalling the plug-in boards, insure that all connector pins are properly aligned before seating the board.

4-10. Cleaning

4-11. Clean the instrument periodically to remove dust, grease and other contamination. Use the following procedure:

- a. Clean the interior with clean, dry air at low pressure (20 psi). The contaminants on printed circuit boards can first be loosened by spraying them with Freon T.F. Degreaser (MS 180), then removed with low pressure air.
- b. Clean the front panel and exterior surfaces with anhydrous ethyl alcohol or a soft cloth dampened with a mild solution of detergent and water.

4-12. Fuse Replacement

4-13. The power fuse (F2) is located on the main printed circuit board near the power transformer. Access to the fuse is accomplished by following the Access/Disassembly procedure found in this section of the manual. If replacement is necessary, use a 1/8 ampere fuse for either 115V ac or 230V ac power configuration (½ ampere fuse for 8600A-01). The MA HI terminal is a fuse holder for current overload protection. Using a screwdriver, turn the

terminal ¼ turn counterclockwise. Replace the fuse with a 2A AGX, fast blow, fuse.

4-14. PERFORMANCE TESTS

4-15. The following tests are intended for use in performance testing of the 8600A. The tests compare the instrument performance to the accuracy specifications and are especially suited to acceptance testing of new instruments. Tests should be conducted under the following conditions: ambient temperature $23^{\circ}\text{C} \pm 5^{\circ}\text{C}$, relative humidity less than 80%.

NOTE!

Tolerances and test limits for performance tests are derived from the 6 month instrument specifications.

4-16. DC Voltage Test

4-17. Using the dc voltage calibrator, sequentially apply the voltages indicated in Table 4-2 to the 8600A V-Ω input terminals and select the ranges prescribed. The 8600A should display a reading within the indicated limits.

4-18. Ohms Test

4-19. Using the resistor decade, sequentially apply the resistance values indicated in Table 4-3 to the 8600A V-Ω input terminals, and select the ranges prescribed. The 8600A should display a reading within the indicated limits.

Table 4-2. DCV PERFORMANCE TEST

8600A RANGE	INPUT REQUIRED	8600A DISPLAY LIMITS
200mV	+190.00mV	+189.90 to 190.10mV
200mV	-19.000mV	-18.97 to 19.03mV
2V	+1.9000V	+1.8995 to 1.9005V
2V	-1.9000V	-1.8995 to 1.9005V
2V	+ .9000V	+ .8997 to .9003V
20V	+19.000V	+18.995 to 19.005V
20V	-19.000V	-18.995 to 19.005V
200V	+190.00V	+189.95 to 190.05V
1200V	+1000.0V	+999.7 to 1000.3V
AUTO	- .17000V	-169.91 to 170.09mV
AUTO	-1.7000V	-1.6996 to 1.7004V
AUTO	-17.000V	-16.996 to 17.004V
AUTO	-170.00V	-169.96 to 170.04V
AUTO	-1000.0V	-999.7 to 1000.3V

Table 4-3. OHMS PERFORMANCE TEST

8600A RANGE	INPUT REQUIRED	8600A DISPLAY LIMITS
AUTO	SHORT	00.00 to 00.03
AUTO	100.00Ω	99.87 to 100.13
AUTO	1.0000kΩ	.9989 to 1.0011
AUTO	10.000kΩ	9.994 to 10.006
AUTO	100.00kΩ	99.94 to 100.06
AUTO	1000.0kΩ	999.4 to 1000.6
AUTO	10.000MΩ	9.979 to 10.021
AUTO	OPEN	18.888 Flashing (20MΩ LED lit)

4-20. DC Current Test

4-21. Using the dc current calibrator (check Table 4-1 for correct calibrator) sequentially apply the values of dc current indicated in Table 4-4 to the 8600A MA input terminals and select the ranges prescribed. The 8600A should display a reading within the indicated limits.

Table 4-4. DC CURRENT PERFORMANCE TEST

RANGE	INPUT	READING
200 μA	Open	-00.05 to +00.05
200 μA	+190.00 μA	+189.79 to +190.21
2 mA	+1.9000 mA	+1.8979 to +1.9021
20 mA	+19.000 mA	+18.979 to +19.021
200 mA	+190.00 mA	+189.79 to +190.21
2000 mA	+1.9000 A	+1897.9 to +1902.1

NOTE!

Because the current measurements of ac and dc are made using the same shunt resistors; a check of ac current is not made.

4-22. AC Voltage Test

4-23. Using the ac voltage calibrator, apply the ac voltages indicated in Table 4-5 to the 8600A V-Ω input terminals and select the ranges prescribed. The 8600A should display a reading within the indicated limits.

4-24. CALIBRATION

4-25. Introduction

4-26 The 8600A should be calibrated every 6 months or whenever repairs have been made, to insure the instrument continues to operate at its rated accuracy. After calibration is completed, the DC current performance test, paragraph

4-20 should be run through to verify the functioning and accuracy of the current dividers. The calibration should be performed under the following environmental conditions; ambient temperature of 23°C ±5°C and a relative humidity of less than 80%. Refer to Table 4-1 for the recommended test equipment. Calibration adjustment locations are pictured in Figure 4-1. Perform the following preliminary steps before calibrating the instrument.

- a. Remove the instrument from the case.
- b. Connect the 8600A to the appropriate (115V ac or 230V ac) line power.
- c. Turn the instrument on and allow it to warm-up for a minimum of 15 minutes.
- d. Insure that the ac and dc calibrators are up to their normal operating temperatures.

NOTE!

Use only non-metallic adjustment tools.

Table 4-5. ACV PERFORMANCE TEST

8600A RANGE	INPUT REQUIRED	FRE-- QUENCY Hz	8600A DISPLAY LIMITS
200 mV	190.00 mV	70 kHz	188.05 to 191.95 mV
200 mV	190.00 mV	500 Hz	189.46 to 190.54 mV
200 mV	39.00 mV	30 kHz	38.60 to 39.40 mV
2 V	1.9000 V	500 Hz	1.8959 to 1.9041 V
2 V	.9000 V	500 Hz	.8979 to .9021 V
2 V	1.9000 V	50 kHz	1.8900 to 1.9100 V
2 V	1.9000 V	100 kHz	1.8800 to 1.9200 V
2 V	1.0000 V	30 Hz	.9945 to 1.0055 V
20 V	19.000 V	500 Hz	18.959 to 19.041 V
20 V	19.000 V	70 kHz	18.800 to 19.200 V
200 V	190.00 V	500 Hz	189.59 to 190.41 V
200 V	100.00 V	30 kHz	99.45 to 100.55 V
1200 V	1000.0 V	500 Hz	996.9 to 1003.1 V
1200 V	1000.0 V	20 kHz	994.0 to 1006.0 V

4-27. DC Volts Calibration

4-28. The calibration procedure for the DCV FUNCTION of the 8600A is presented in Table 4-6. Use the recommended dc voltage calibrator (see Table 4-1) to apply the prescribed dc voltages to the V-Ω INPUT terminals and, where required, make the adjustments to meet the specified display limits.

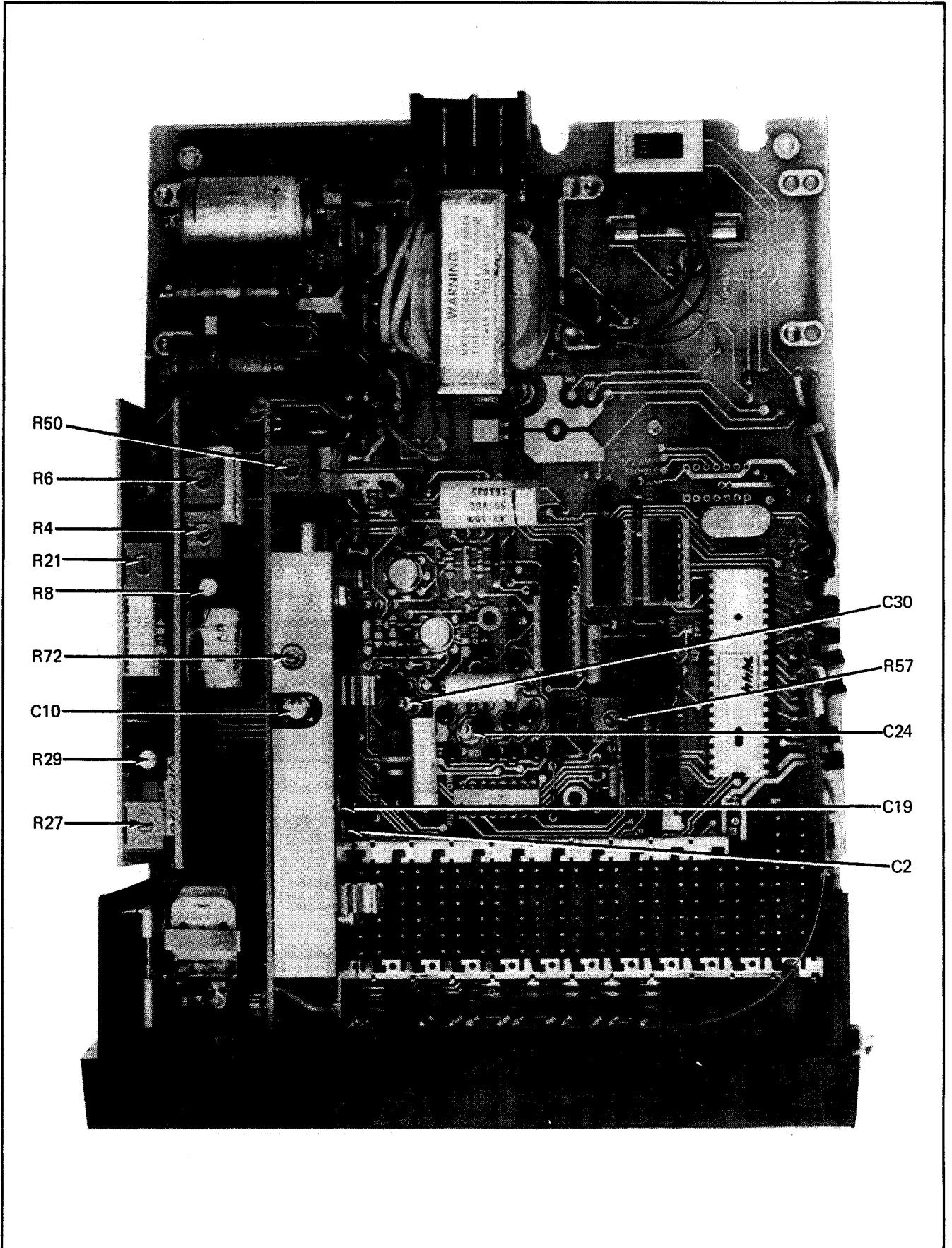


Figure 4-1. CALIBRATION ADJUSTMENT LOCATIONS

Table 4-6. DC VOLTS CALIBRATION PROCEDURE

STEP	8600A RANGE	INPUT REQUIRED	ADJUSTMENT	8600A DISPLAY LIMITS
1	Select the VDC FUNCTION switch on the front panel.			
2	200mV	Short	none	-00.01 to +00.01
3	200mV	1M Ω *	C24	-00.01 to +00.01
4	200mV	+19V	none	note display reading
5	200mV	-19V	C30	within 1 digit of step 4 display
6	(Repeat steps 3, 4, and 5 until each step is within limits)			
7	20V	open	none	\pm 00.00 to +00.61
8	2V	+1.9000V	R57	+1.8999 to +1.9001
9	2V	-1.9000V	R57	-1.8999 to -1.9001
10	(Repeat steps 8 and 9 until both are within limits)			
11	2V	+0.9000V	none	+0.8999 to +0.9001
12	200mV	+190.00mV	none	+189.95 to +190.05**
13	200mV	-190.00mV	none	-189.95 to -190.05**
14	20V	+19.000V	R4	+18.999 to +19.001
15	20V	-19.000V	R4	-18.999 to -19.001
16	(Repeat steps 14 and 15 until both are within limits)			
17	200V	+190.00V	R6	+189.99 to +190.01
18	1200V	+1000.0V	R8	+999.9 to +1000.1
* Place a 1M Ω resistor across the V- Ω INPUT.				
** 200mV LED on the display should be on.				

4-29. Ohms Calibration

4-30. The calibration procedure for the K Ω function of the 8600A is presented in Table 4-7. Use the recommended resistor decade (see Table 4-1) to apply the prescribed resistances to the V Ω INPUT terminals and, where required, make the adjustments to meet the specified display limits.

CAUTION!

Remove any applied voltage from the 8600A input terminals before starting the Ohms Calibration.

4-31. AC Volts Calibration

4-32. The calibration procedure for the ACV FUNCTION of the 8600A is presented in Table 4-8. Use the recommended ac voltage calibrator (see Table 4-1) to apply the prescribed ac voltages at the indicated frequencies to the V Ω INPUT terminals and, where required, make the adjustments to meet the specified display limits.

4-33. TROUBLESHOOTING

4-34. The following information is provided to assist in locating malfunctions in the 8600A. It is recommended that the theory of operation in Section 3 be read completely before attempting to troubleshoot the instrument.

Table 4-7. OHMS CALIBRATION PROCEDURE

STEP	8600A RANGE	INPUT REQUIRED	ADJUSTMENT	8600A DISPLAY LIMITS
1	Depress the K Ω FUNCTION switch on the front panel.			
2	200	Short	none	0.00 to 00.02
3	2000k Ω	1000.0k Ω	R21	999.9 to 1000.1
4	2	1.0000k Ω	R27	.9999 to 1.0001
5	20M Ω	10.000M Ω	R29	9.997 to 10.003M Ω

Table 4-8. AC VOLTS CALIBRATION PROCEDURE

STEP	8600A RANGE	INPUT VOLTAGE REQUIRED	INPUT FREQUENCY REQUIRED	ADJUSTMENT	8600A DISPLAY LIMITS
1	Simultaneously select the ACMA and DCV FUNCTION switches. *				
2	1200V	none	none	R72	-20.0 to -30.0
3	Select the VAC FUNCTION switch on the front panel.				
4	2	1.9000V	500Hz	R50	1.8998 to 1.9002
5	2	0.9000V	500Hz	none	.8997 to .9003
6	200	190.00V	500Hz	none	189.90 to 190.10
7	200	190.00V	50kHz	C2	189.95 to 190.05
8	2	1.9000V	50kHz	C19	1.8995 to 1.9005
9	Repeat steps 7 and 8 until both are within limits				
10	2	1.9000V	100kHz	none	1.8875 to 1.9125
11	2	1.9000V	30Hz	none	1.8950 to 1.9050
12	20	19.000V	500Hz	none	18.990 to 19.010
13	20	19.000V	50kHz	C10	18.990 to 19.010
14	200mV	190.00mV	50kHz	none	189.80 to 190.20**
15	200mV	190.00mV	500Hz	none	189.85 to 190.15**
16	200mV	39.00mV	500Hz	none	38.90 to 39.10**
17	1200V	1000.0V	500Hz	none	998.0 to 1002.0
18	1200V	1000.0V	20kHz	none	996.0 to 1004.0

* Simultaneous selection of both function switches connects the positive 25mV AC Converter offset to the A-D Converter auto zero input. The A-D Converter action causes the negative display of STEP 2.

** 200MV LED on the display should be on.

4-35. Initial Troubleshooting

4-36. The troubleshooting techniques given below should be completed as the first step toward repairing any apparent malfunction in the unit. Improper operation may not always be caused by failures within the 8600A. The following reminders of basic fault isolation techniques will help determine if the cause is the result of an internal failure or faulty external connection.

- Carefully check the 8600A control settings: some false indications may be caused by an incorrect or overlooked control setting.
- Check associated equipment: insure that associated equipment controls and connections are correct.
- Check the 8600A performance: the performance test (par. 4-14) will determine if the malfunction is in the 8600A.

- Carefully inspect the interior of the instrument: check for physically damaged parts, loose or broken wires, and improperly seated plug-in assemblies.

4-37 When it has been determined by the above checks that the malfunction is within the 8600A multimeter, the following procedure should be used to isolate the problem area. The recommended test equipment for troubleshooting this instrument is listed in table 4-1. A troubleshooting flow chart is included in figure 4-2 as an aid in repairing the instrument. Performance tests given in the beginning of this section are referred to by paragraph number and table number. Tests contained in the following sections are referred to by paragraph number. In addition portions of the theory of operation section relevant to the correct operation of the circuitry in question are referred to by paragraph number.

NOTE

Refer to the appropriate schematic for the electrical location of test points specified. Physical test point connectors may not appear on some pcs.

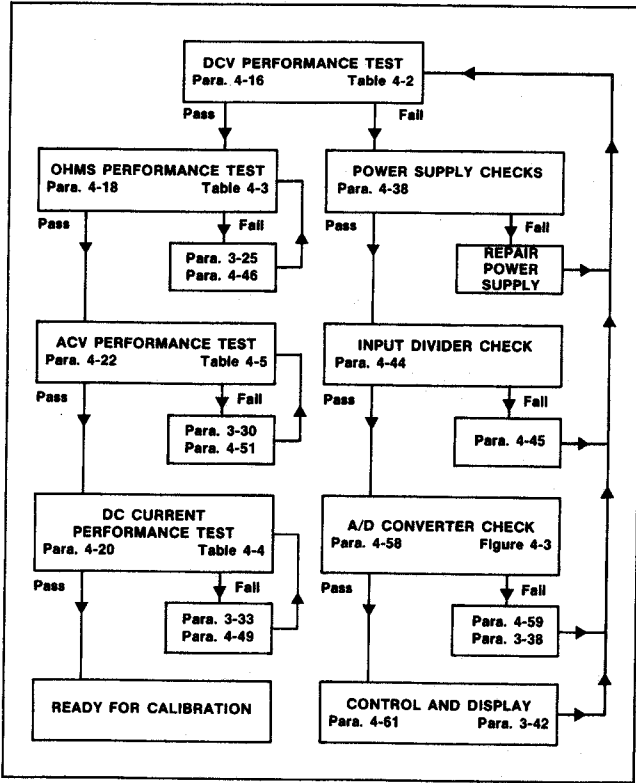


Figure 4-2 TROUBLESHOOTING FLOW CHART

4-38. Power Supply Checks

4-39. Incorrect output voltages from the +5 volt, +15 volt, or -15 volt supplies may cause the unit to exhibit various improper indications. Because of this the power supplies should be checked in the event of any 8600A malfunction. Use the following procedure to check the power supply output voltages.

- a. Connect the test equipment multimeter return lead to the V-Ω LOW input terminal.
- b. Connect the high input lead to TP12, the +5 volt supply. The power supply voltage should be

+4.75V to +5.75.

- c. Connect the high input lead to TP4, the -15 volt supply. The power supply voltage should be -15.0 ±0.5 volts.
- d. Connect the high input lead to TP5, the +15 volt supply. The power supply voltage should be +15.0 ±0.5 volts.

4-40. Fault Area Isolation

4-41. A malfunction in the 8600A may be isolated to a particular section of the circuitry by observing the front panel display during each mode of operation. The performance tests (par. 4-14) will exercise the 8600A in each function in order to determine the functional operations of the unit affected by the failure.

4-42. The indications observed during the 8600A operation in each of four functions (VDC, VAC, Ohms, and DC current) may isolate the failure to a particular area. Table 4-9 lists the fault area indicated by various combinations of proper or improper 8600A operation in each of the four functions exercised in the performance test.

4-43. Troubleshooting information for the indicated fault area is presented in the following paragraphs. Proceed to the troubleshooting information for the indicated failure area. It should be kept in mind that some failures may cause improper operation of functional areas other than the one actually containing the problem.

4-44. INPUT DIVIDER

4-45 Problems in the Input Divider will generally give improper operation in the DCV and OHMS functions, leaving other functions unaffected. There are exceptions, however. For example the relay, K4, must be energized in all ACV ranges to connect the output of the AC Con-

Table 4-9. FAULT AREA INDICATION

8600A FUNCTION	8600A OPERATION – PROPER OR IMPROPER				
	IMPROPER	PROPER	PROPER	PROPER	IMPROPER
VDC	IMPROPER	PROPER	PROPER	PROPER	IMPROPER
OHMS	IMPROPER	IMPROPER	PROPER	PROPER	IMPROPER
DCI	PROPER	PROPER	IMPROPER	PROPER	IMPROPER
VAC	PROPER	PROPER	PROPER	IMPROPER	IMPROPER
FAULT AREA INDICATED	INPUT DIVIDER	OHMS CONVERTER	CURRENT SHUNT	AC CONVERTER	A/D CONVERTER OR CONTROL AND DISPLAY

verter to the input of the A/D Converter. By inserting a voltage at TP11, all input signal conditioners will be bypassed. The operation of the A/D Converter and the Control and Display sections (with the exception of the range controls) can be checked with the following test. If the instrument passes this test, the indication is that the fault is in the Input Divider or in the range selection.

- a. Select the DCV function and the 200mV range.
- b. With no input to the V Ω terminals, check the voltage at TP11, and at buffer input (U4 pin 3). If it is 0V proceed to the next step. A voltage on TP11 or at the buffer input indicates that one of the control FETs (Q14, Q15, Q16, Q17, Q21) or Q13 or Q11 may be shorted or leaky.
- c. Connect +190mV to TP11 and the return lead to TP3. Refer to table 4-10 and observe the front panel display as the front panel range switches are changed.

RANGE SETTING	DISPLAY
200 mV	+190.00
2V	+ .19
20V	+ 1.90
200V	+ 19.00
1200V	+190.00
AUTO	DECIMAL MAY BE ANYWHERE
REPEAT FOR NEGATIVE INPUT	

Table 4-10 INPUT DIVIDER TEST

4-46. OHMS CONVERTER

4-47. An instrument malfunction affecting only the ohms mode of operation is generally the result of the ohms converter producing an improper level of current for the particular resistance range being used. The following procedure should be used to evaluate the operation of the ohms converter.

- a. Select the K Ω function and 20 K range.
- b. Place a good quality short across the V- Ω input terminals.
- c. Measure the voltage level at the cathode of CR2. It should be +10 \pm 0.1V dc.
- d. If the voltage is incorrect measure the voltage at pin 3 of U1. This point should be 0.00 volts \pm 100 microvolts.

- e. A voltage level greater than ten volts at CR2 and zero volts at pin 3 of U1 would indicate that the current source (Q3, U3 and associated components) is supplying more current than normal. If the voltage at CR2 were less than ten volts the current from Q3 would probably be less than normal.

4-48. The operation of the current source can be checked by measuring the voltage at pins 2 and 3 of U3. The voltage on both pins should be approximately -8.6 volts. Uneven voltages may be caused by improper resistance value of R35 or R91, or a failure in CR10. The voltages at pin 2 and 3 of U3 may be proper and the current supply from Q3 improper if the gate of Q3 were leaking current back to pin 6 of U3.

4-49. CURRENT SHUNTS

4-50. Failures in the current mode of operation affecting all current ranges would probably be attributed to a failure in one of the following areas: 1) the input fuse (F1) open, 2) one or more of diodes CR1, CR6, CR7, or CR8 shorted, or 3) improper connection in the contacts of function switch S2 (ACI), or S4 (DCI) or range switches S6-S10.

4-51. AC CONVERTER

4-52. Generally a failure in the ac converter will do one of two things: 1) create a dc voltage output without an ac input signal applied to the 8600A input terminals or 2) not produce the proper dc voltage output when an ac input is applied to the unit. A dc offset voltage created within the ac converter may cause the multimeter display to indicate some substantial value of ac voltage when a short is placed across the input terminals. When the ac converter failure causes the display to remain at zero when an ac signal is applied to the input, the converter is not producing the proper dc voltage output for the A/D converter.

4-53. The operation of the ac converter can be checked for the dc voltage offset by performing the following procedure.

- a. Remove the molded plastic outer case from the 8600A (see par. 4-7 Access/Dissassembly).
- b. Remove the ac converter pcb, take the metal shield off the side and reinstall the board into mainframe.

NOTE!

Take care that all the connector pins on the board are properly aligned before seating the pcb.

- c. Short the V- Ω INPUT terminal HI to LO. Select the 200V RANGE and VAC FUNCTION.
- d. Connect the return lead of the test equipment voltmeter to the 8600A V/ Ω LO input terminal.
- e. Connect the high input lead to the ac converter output at pin 9. Note the voltage level.
- f. Move the high input lead to pin 10. The voltage level should be the same as that noted in step e.

4-54. A difference in voltage levels between the two pins would be displayed as an offset on the front panel readout. The level at either pin should not exceed +30 millivolts nor be less than +20 millivolt. If the voltage level is too high or there is a difference in voltage level between the two, check current source CL1 or transistors Q1, Q7, and Q9, or capacitors C12 and C13.

4-55. The operation of the ac converter with an ac input applied, observed at the circuit locations described below, may indicate the fault area. With the 8600A in the 2V range and AC V function apply a 1V rms 500 Hz signal to the V/ Ω INPUT terminals and proceed as described below.

- a. Connect the input return lead of an oscilloscope to the 8600A MA LO terminal.
- b. Connect the scope input probe to the ac converter input at the wire connection on S2A. Note the amplitude of the signal; it should be 2.8 volts peak-to-peak.
- c. Move the scope input probe to U2 pin 6. The ac signal at this point should be about one-quarter of the amplitude of the input signal, or about 0.7 volts peak-to-peak. If correct go to step e.
- d. If the signal is not present at this point or the dc voltage level is close to either the -15 volt or +15 volt supply, U2, Q7, or CL1 are probably defective. If the signal is distorted check the operation of Q1.
- e. Connect the scope input probe to the base of Q7, the signal here should be one-quarter of the amplitude of the input signal.
- f. The ac converter output at pin 9 should be one volt dc plus the dc voltage offset level at pin 10.

4-56. A/D CONVERTER OR CONTROL AND DISPLAY

4-57. An A/D converter or control and display failure will generally affect the operation of the 8600A in all

functions. The exceptions to this would be a malfunction in an individual function's control signal or range relay signal. The following information is provided to aid in isolating problems within the A/D converter and control and display circuitry.

4-58. The A/D Converter can be checked by using the following procedure.

- a. Select the DCV function and the 2V range.
- b. Apply +1V dc to 8600A V/ Ω terminals.
- c. Connect the oscilloscope probe to TP2. The probe ground return may be connected to TP3 or the mA LO terminal.
- d. The signal at TP2 should be as shown in figure 4-3.

4-59. The stable +5V section of the waveform shown in figure 4-3 should be 200msec long for a +1V dc input. If the dc input voltage is increased to 2V, the stable portion of the waveform should be 300msec long. If the waveform is incorrect, the problem is in the display section. If the waveform is incorrect, refer to figure 4-4 for further test points and waveforms in the A/D Converter. Check the waveforms at the buffer, U4, for the correct voltage from Q14 and the appropriate reference (U17, Q17, and Q21). U4 has a gain of 5 so the waveform at its output should be 5 times its input (not inverted). The output of U5 should be triangular as shown and opposite in polarity to the buffer input.

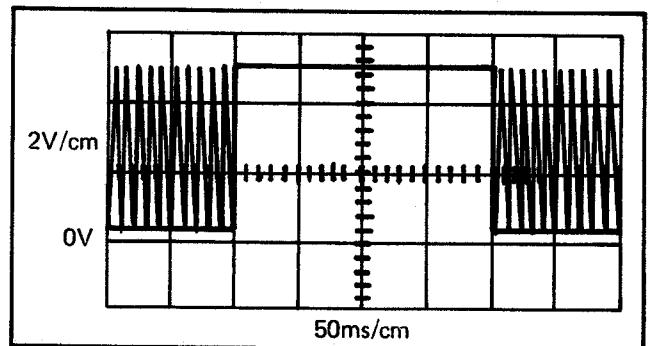


Figure 4-3. A/D CONVERTER OUTPUT SIGNAL

4-60. The control waveforms and timing are important to the correct operation of the A/D Converter. The waveforms and test points are shown in figure 4-4. Continue with the test setup in 4-58. First check the signal at the gate of the FET. If absent or wrong, check that output from U8, keeping in mind that the driver transistors act as inverters. The operation of U8 with respect to the A/D Converter may be checked as follows.

- a. Select DCV function and 2V range.

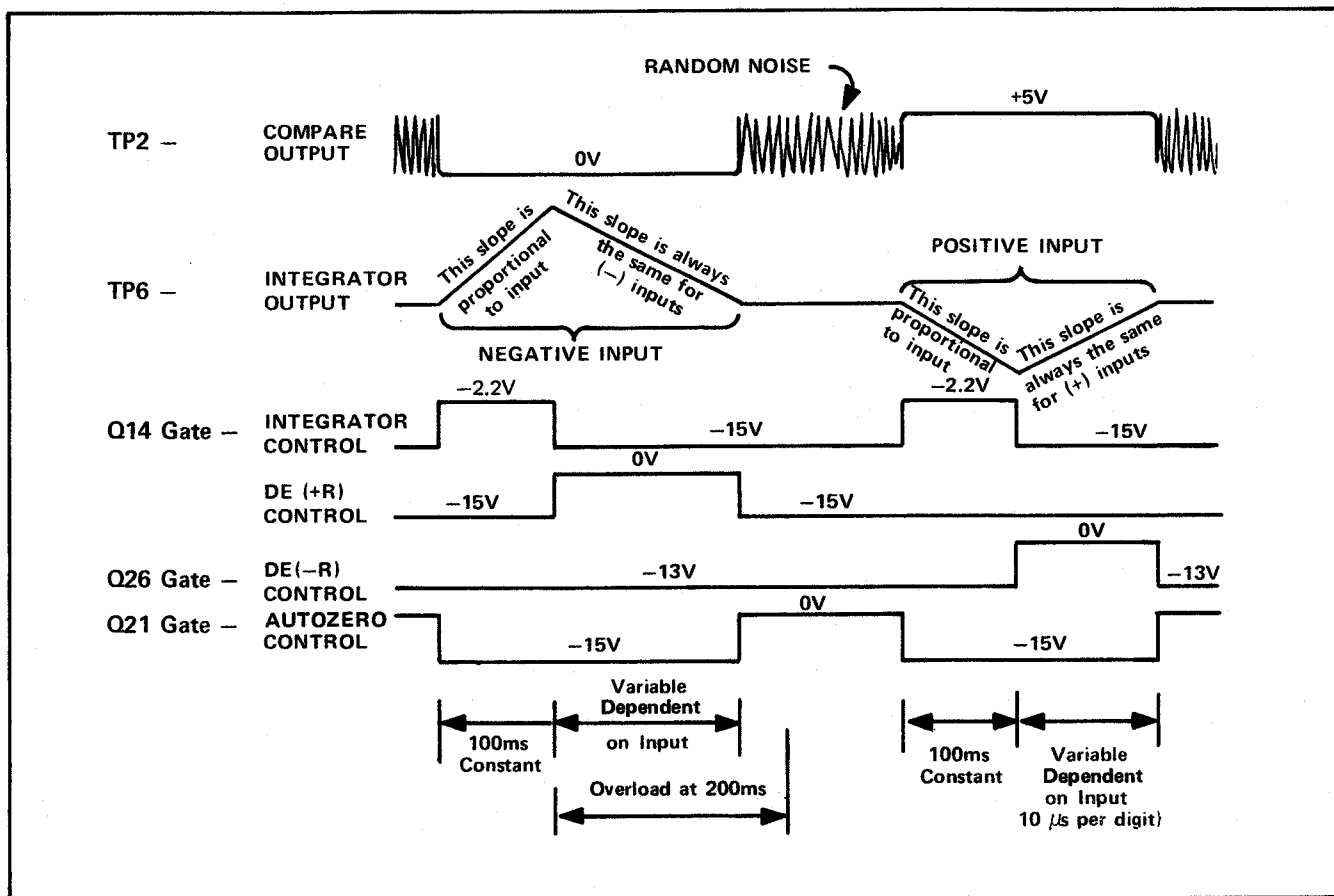


Figure 4-4. A/D CONVERTER CONTROL SIGNALS

- b. Apply 0V dc to TP2 by connecting it to TP3 (ground). Refer to table 4-11 for test points and indications.
- c. Apply +5V dc to TP2 by connecting it to TP12 (+5V supply). Refer to table 4-11 for test points and indications.

4-61. The operation of the range control system can be checked by observing the interaction of U8, U9, U16, and the function switches. For switching between the lowest range and the higher ranges, U17 changes the reference

applied to U4 and the charge path of C28. Table 4-12 contains truth tables for U8 and U9. It also shows which relays are energized in each range and the internal switching arrangements for U16 and U17. To check a questionable range, select the range manually and check the inputs and outputs given in Table 4-12 that affect that range. Keep in mind that relay common is +5V so in all cases the output of U9 goes low to select a relay. The strobe signals are used to program U8 for the different ranges. U16 together with the range switches apply the ST signals to U8 as explained in Theory of Operation.

TP2 INPUT	FRONT PANEL DISPLAY	AZ U8 PIN 2	INT U8 PIN 40	DE(+R) U8 PIN 38	DE(-R) U8 PIN 39
0V dc	OVERRANGE	PULSE	PULSE	0V dc	PULSE
+5V dc	OVERRANGE	PULSE	PULSE	PULSE	0V dc
PULSE AMPLITUDE SHOULD BE 15V (FROM 0V dc to -15V dc)					

Table 4-11 OPERATION OF U8 WITH RESPECT TO A/D CONVERTER

RANGE SELECTED	U8 OUTPUT PINS			FUNCTION	U9 INPUT PINS	
	29 (a)	28 (b)	30 (c)		10	11
200 mV	0	0	1	ACV	1	0
2V	0	1	0	AC MA	1	1
20V	0	1	1	DCV	0	1
1200V	1	0	1	DC MA	1	0
20 MΩ	1	1	0	KΩ	0	0

LOGIC 1 = +5V LOGIC 0 = 0V
IN DC mA FUNCTION U9 AND RELAYS INACTIVE

ACV FUNCTION		DCV FUNCTION	
RANGE	RELAY ENERGIZED	RANGE	RELAY ENERGIZED
200 mV, 2V	K4	200 mV, 2V	None
20V	K4, K6	20V	K1, K2
200V	K4, K7	200V	K1, K3
1200V	K4, K8	1200V	K1, K4
OHMS FUNCTION		AC MA FUNCTION K4 ENERGIZED IN ALL RANGES	
RANGE	RELAY ENERGIZED		
200Ω	K4	DC MA FUNCTION U9 AND RELAYS DEENERGIZED	
2KΩ	K4		
20KΩ	K3		
200KΩ	K2		
2000KΩ	None		
20MΩ	K5		

U17 4PST	INTERNAL SWITCH	A	B	C	D	+5V TO CONTROL PIN CLOSES SWITCH (ON) 0V OPENS SWITCH (OFF)
	SWITCH CONTROL PIN	13	5	6	12	
	PINS SWITCHED					

U16 3PDT	INTERNAL SWITCH	A	B	C	SWITCHES ARE AS SHOWN FOR 0V ON CONTROL PIN +5V ON CONTROL PIN SWITCHES CENTER ROW FROM TOP TO BOTTOM
	SWITCH CONTROL PIN	11	10	9	
	PINS SWITCHED				

Table 4-12 RANGE INFORMATION

4-62. Errors in the display concerning decimal point location and upper or lower annunciators can be the result of range control problems. A +5V is required from U8 to turn on the annunciators. Decimal point logic is a positive pulse output from U8 occurring at the same time as the appropriate strobe signal. Either STO or ST7 is selected by U16 before being applied to the display board. The digit information to be presented on the front panel is delivered by U8 in BCD format on lines W, X, Y, and Z.

4-63. A malfunction caused by the display section of the circuitry will generally cause the 8600A display to indicate the failure in one of five ways; 1) all LED's are dark, 2) one segment of any one or all LED displays are dark, 3) any single LED display is dark, 4) the numbers containing a particular binary code (1, 2, 4 or 8) will not display or 5) one digit is brighter than normal and all others are off. The probable cause for each possible failure indication is given below.

4-64. When all LED's are dark, check for +5 volts at the emitter of Q30. Using an oscilloscope check U10 pins 9 through 15, LED segment drive signals, for a squarewave signal alternating between +3.5 volts and +0.4 volts.

4-65. When a segment of only one LED is dark the LED is the probable cause of the failure. If, however, the

same segment in all LED's is out the particular segment drive signal, U10 pins 13, 12, 11, 10, 9, 15, or 14 corresponding to segments A, B, C, D, E, F, and G respectively, can be checked for the required voltage change from +3.5 volts to +0.4 volts as the segment lights.

4-66. When one digit in the display remains dark the strobe signal for that digit should be checked. The base of Q37 (MSD), Q29 (2SD), Q31 (3SD), Q33 (4SD) and Q35 (LSD) should go to +5 volts as each is strobed on for 300 μ s.

4-67. When the display indicates that one of the binary codes (1, 2, 4, or 8) is missing; the bcd output from U8 can be observed at pin 31 (1), 32 (2), 33 (4) and 35 (8). The output at each pin should drop from +5 volts to about zero volts when that code is used to produce the digit being displayed. If the bcd information at U8 is correct the probable cause of the failure is U10.

4-68. When one display digit is bright and all others are off, the clock oscillator is the probable cause. Check the operation of U7, U8, and the 1 MHz crystal Y1.

Section 5

Lists of Replaceable Parts

TABLE OF CONTENTS

ASSEMBLY NAME/NUMBER	PART NO.	PAGE
Final Assembly, Model 8600A	8600A	5-3
Front Panel and Main PCB Assembly (8600A-4001)	365866	5-5
Front Panel and Main PCB Assembly (-01 Option) (8600A-4011)	366906	5-10
Display PCB Assembly (8600A-4002)	373860	5-15
Battery Power Supply PCB Assembly (-01 Option) (8600A-4006)	373837	5-16
AC Converter PCB Assembly (8600A-4003)	373852	5-18
Ohms Converter Assembly (8600A-4004)	373845	5-21
Input Divider PCB Assembly (8600A-4005)	397463	5-23
DOU PCB Assembly (-02 Option) (8800A-4005)	366369	5-24

5-1. INTRODUCTION

5-2. This section contains an illustrated parts breakdown of the instrument. Components are listed alpha-numerically by assembly. Electrical components are listed by reference designation and mechanical components are listed by item number. Each listed part is shown in an accompanying illustration.

5-3. Parts lists include the following information:

- a. Reference Designation or Item Number
- b. Description of each part
- c. Fluke Stock Number
- d. Federal Supply Code for Manufacturers. See Appendix A for Code-to-Name list.)
- e. Manufacturer's part Number or Type.
- f. Total Quantity per assembly or component.
- g. Recommended Quantity: This entry indicates the recommended number of spare parts necessary to support one to five instruments for a period of two years. This list presumes an availability of common electronic parts at the maintenance site. For maintenance for one year or more at an isolated site, it is recommended that at least one in each assembly in the instrument be stocked. In the case of optional subassemblies, plug-ins, etc. that are not always part of the instrument, or are deviations from the basic instrument mode, the REC QTY column lists the recommended quantity of the item in that particular assembly.
- h. Use Code is provided to identify certain parts that have been added, deleted or modified during production of the instrument. Each part for which a use code has been assigned may be identified with a particular instrument serial number by consulting the Use Code Effectivity, paragraph 5-7.

5-4. HOW TO OBTAIN PARTS

5-5. Components may be ordered directly from the manufacturer by using the manufacturer's part number, or from the John Fluke Mfg. Co., Inc. factory or authorized representative by using the FLUKE STOCK NUMBER. In the event the part you order has been replaced by a new or improved part, the replacement will be accompanied by an explanatory note and installation instructions, if necessary.

5-6. To ensure prompt and efficient handling of your order, include the following information.




- a. Quantity
- b. FLUKE Stock Number
- c. Description
- d. Reference Designation or Item Number
- e. Printed Circuit Board Part Number
- f. Instrument model and Serial number

5-7. USE CODE EFFECTIVITY LIST

USE CODE	SERIAL NUMBER EFFECTIVITY
-------------	---------------------------

For U8, page 5-3

- | | |
|---|----------------------------|
| A | Up to 42560 order CMOS |
| B | 42560 and above order PMOS |

REF DESIG OR ITEM NO.	DESCRIPTION	FLUKE STOCK NO.	MFG FED SPLY CDE	MFG PART NO. OR TYPE	TOT QTY	REC QTY	USE CDE
	FINAL ASSEMBLY, MODEL 8600A						
	Figure 5-1						
	Front Panel and Main PCB Assembly						
1	8600A (Line power only)	365866	89536	365866	1		
2	8600A-01 (Battery Power)	366906	89536	366906	1		
3	Battery Power Supply PCB Assembly (-01 Option)						
	100Vac version	378380	89536	378380	1		
	115Vac version	373837	89536	373837	1		
	230Vac version	378372	89536	378372	1		
4	AC Converter Assembly	373852	89536	373852	1		
5	Ohms Converter Assembly	373845	89536	373845	1		
6	Input Divider Assembly	397463	89536	397463	1		
7	DOU PCB Assembly (8600A-02)	366369	89536	366369	1		
8	Case, molded	330076	89536	330076	1		
9	Case, molded, DOU (8600-02)	384800	89536	384800	1		
10	Decal, knob	347401	89536	347401	2		
11	Decal, name plate	380667	89536	380667	1		
12	Handle, molded	330092	89536	330092	1		
13	Pad, foot	338632	89536	338632	2		
14	Fuse, slo-blo, 1/8A, spare	166488	71400	MDL	1	5	
15	Socket, DIP, 14-pin (8600A-02)	291542	00779	583527-1	1		
	Line cord	343723	89536	343723	1		
	Test lead, pair	343657	83330	21058	1		
	Fuse, fast acting, ¼A spare (8600A-01)	109322	71400	MDL	1		
U8	IC, 3, 4, 5 Digit, C-MOS, 40 pin 	354985	89536	354985	1	1	A
U8	IC, dig, P-MOS, univ auto-ranging, DVM logic 	407734	70203	C2506/ 407734	1	1	B
	 Indicates MOS device which may be damaged by static discharge.						

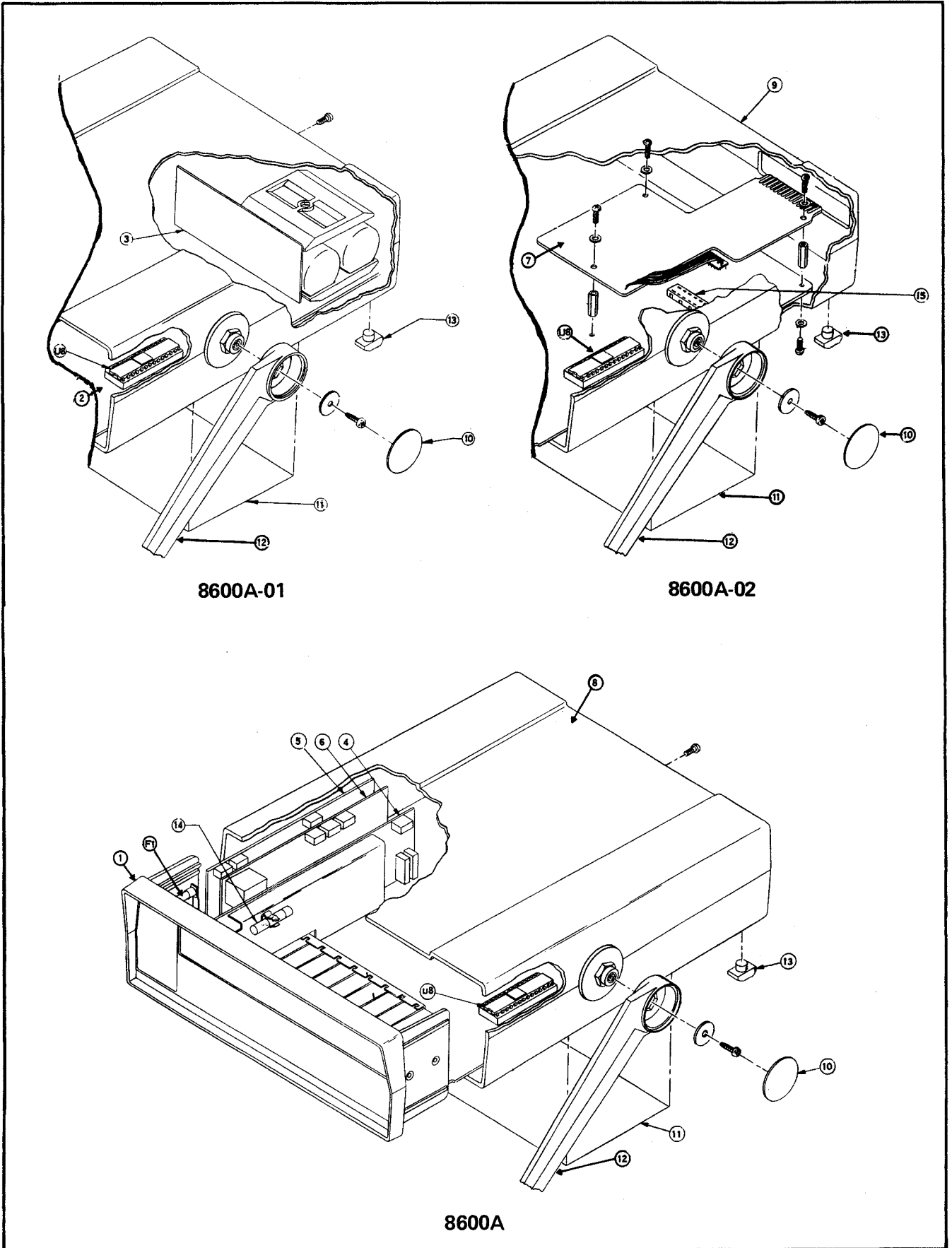





Figure 5-1. 8600A FINAL ASSEMBLY

REF DESIG OR ITEM NO.	DESCRIPTION	FLUKE STOCK NO.	MFG FED SPLY CDE	MFG PART NO. OR TYPE	TOT QTY	REC QTY	USE CDE
	FRONT PANEL AND MAIN PCB ASSY. (8600A Line Power)	365866	89536	365866	REF		
	Main PCB Assy. Figure 5-2						
C21	Cap, polystyrene, 0.022 μ F \pm 10%, 100V	333823	02799	1PJ223K	1		
C22	Cap, polycarbonate, 0.47uF \pm 10%, 100V	288860	01281	X463VW04791	1		
C23	Cap, cer, 2.7pF \pm 0.25pF, 100V	363705	80031	W 2222-631-09278	1		
C24, C30	Cap, var, 0.25 – 1.5pF \pm 0.25pF, 2000V	218206	72982	530-000	2	1	
C25, C26, C27, C35	Cap, Ta, 10uF \pm 20%, 20V	330662	56289	196D106X0020 JA1	4		
C28	Cap, polypropylene, 0.47uF \pm 10%, 50V	363085	01281	JF86	1		
C31	Cap, cer, 0.001uF \pm 20%, 3KV/5.25K	105635	56289	29C300	1		
C39	Cap, mylar, 0.01uF \pm 20%	159996	01281	6634W103-010 W	1		
C101, C102	Cap, elect, 220uF +50/–10%, 40V	178616	25403	ET221X040A01	2	1	
C103	Cap, elect, 2000uF +100/–10%, 15V	364182	25088	B4101-2200/15	1	1	
CR1, CR2, CR6, CR8	Diode, Si, 2A, 50V	347559	14099	1N5400	4	1	
CR9, CR15, CR20, CR21, CR24	Diode, Si, 150 mA	203323	07910	1N4448	5	1	
CR14, R56, R60	Zener, reference set	377283	89536	377283	1	1	
CR101, CR102	Rectifier, bridge, 2 amp, 100V	296509	09423	FB100	2	1	
CR103	Zener, 6.8V, 1 mA	352898	99942	R4852	1	1	
F2	Fuse, Slo-Blo, 1/8A	166488	71400	MDL	1	5	
K1	Relay, Telephone, DPDT	357707	12300	R10E2662-2	1		
L1	Choke, RF, 100uh	111542	99800	1537-76	1		
Q2,Q6	Xstr, Si, PNP	195974	04713	2N3906	2	1	
Q10, Q26, Q27, Q28	Xstr, Si, NPN	159855	07910	CS23030	4	1	

REF DESIG OR ITEM NO.	DESCRIPTION	FLUKE STOCK NO.	MFG FED SPLY CDE	MFG PART NO. OR TYPE	TOT QTY	REC QTY	USE CDE
Q11	Xstr, Si, NPN, Selected	352138	89536	352138	1	1	
Q16, Q17, Q21, Q22	Xstr, J-FET, N-channel	357889	21845	F2692	4	1	
Q14, Q15	Xstr, J-FET, N-channel	357897	21845	F2691	2	1	
Q13, Q23	Xstr, J-FET, N-channel	370072	12040	TYPE KE4393	2	1	
R1	Res, comp, 100K $\pm 5\%$, $\frac{1}{4}W$	148189	01121	CB1045	1		
R2	Res, WW, card, $0.1 \pm 0.05\%$	374611	89536	374611	1	1	
R10, R11, R83	Res, comp, 470K $\pm 5\%$, $\frac{1}{4}W$	188441	01121	CB4745	3		
R12, R52	Res, comp, 100K $\pm 5\%$, 2W	285056	01121	HB1045	2		
R13	Res, WW, $900 \pm 0.05\%$, 1/10W	357483	89536	357483	1	1	
R14	Res, WW, $90 \pm 0.05\%$, 1/10W	357517	89536	357517	1	1	
R15	Res, WW, $9 \pm 0.05\%$, 1/10W	357525	89536	357525	1	1	
R16	Res, WW, card, $1.0 \pm 0.05\%$	356097	89536	356097	1	1	
R18	Res, met film, $60.4K \pm 1\%$, 1/8W	291419	91637	MFF1-86042F	1		
R23	Res, met film, $30.1K \pm 1\%$, 1/8W	168286	91637	MFF1-83012F	1		
R24	Res, met film, $90.9K \pm 1\%$, 1/8W	223537	91637	MFF1-89092F	1		
R57	Res, var, cer, $500 \pm 10\%$, $\frac{1}{2}W$	325613	71450	360T501A	1	1	
R62, R65, R67	Res, match set, 3 pc	375782	89536	375782	1	1	
R63, R76	Res, comp, 10K $\pm 5\%$, $\frac{1}{4}W$	148106	01121	CB1035	2		
R66	Res, met film, $22.1K \pm 1\%$, 1/8W	235234	91637	MFF1-82212F	1		
R68	Res, comp, 56K $\pm 5\%$, $\frac{1}{4}W$	170738	01121	CB5635	1		
R70	Res, met film, $8.06K \pm 1\%$, 1/8W	294942	91637	MFF1-88061F	1		

REF DESIG OR ITEM NO.	DESCRIPTION	FLUKE STOCK NO.	MFG FED SPLY CDE	MFG PART NO. OR TYPE	TOT QTY	REC QTY	USE CDE
R71	Res, met film, 2.0K \pm 1%, 1/8W	235226	91637	MFF1-8202F	1		
R74	Res, comp, 4.7M \pm 5%, 1/4W	220046	01121	CB4725	1		
R80	Res, met film, 200K \pm 1%, 1/8W	261701	91637	MFF1-8204F	1		
R81	Res, comp, 10 \pm 5%, 1/4W	147868	01121	CB1005	1		
R82	Res, comp, 2.7M \pm 5%, 1/4W	193490	01121	CB2755	1		
R84 R103	Res, comp, 2.2K \pm 5%, 1/4W	148049	01121	CB2225	2		
R87	Res, comp, 4.7K \pm 5%, 1/4W	148072	01121	CB4725	1		
R94	Res, comp, 1K \pm 5%, 1/4W	148023	01121	CB1025	1		
R98	Res, comp, 220 \pm 5%, 1/4W	147959	01121	CB2215	1		
RN1	Res, network, 15 pc	385815	89536	385185 TYPE 760	1	1	
S1 thru S13	Switch Assembly, pushbutton	390948	89536	390948	1	1	
S14	Switch, Slide, DPDT 115/230	376789	89536	376798	1	1	
T1	Xfmr, power	374264	89536	374264	1	1	
U4	IC, Op, Amp (yellow dot)	381962	12040	LH0042C	1	1	
U5	IC, Op, Amp (red dot)	385450	89536	385450	1	1	
U6	IC, linear, opnl ampl	352195	12040	LM311N8	1	1	
U7	IC, hex, buffer/conv	355214	04713	MC14009CP	1	1	
U8	(See Final Assembly)						
U9	IC, bipolar ROM	376061	01295	SN7488AN	1	1	
U16	IC, digital, C-MOS, 2-channel multiplexer 	375808	49671	CD4053AE	1	1	
U17	IC, digital, C-MOS, quad switch 	363838	49671	CD4016AE	1	1	
U102	IC, voltage regulator	355107	12040	LM340T5	1	1	
U103	IC, voltage regulator	413187	04713	MC7815CP	1	1	
U104	IC, voltage regulator	413179	04713	MC7915CP	1	1	
XF2	Fuseholder, clip	284984	84613	3621-2	2	1	
Y1	Crystal, 1.000 MHz	358069	30148	TYPE 815A	1	1	
	Connector, post	376574	00779	5166-333-68	24		
	Connector, post	379438	00779	86144-5	7		

REF DESIG OR ITEM NO.	DESCRIPTION	FLUKE STOCK NO.	MFG FED SPLY CDE	MFG PART NO. OR TYPE	TOT QTY	REC QTY	USE CDE
	Contact, fuse	397992	89536	397992	1		
	Receptacle, power, 3 prong						
	Insulator, receptacle	338624	89536	338624	1		
	Contact, earth common	338640	89536	338640	1		
	Contact, voltage	338657	89536	338657	2		
	Pushbutton, grey	369546	71590	J52305-J31753	12		
	Pushbutton, green	352211	71590	J52305-J71449	1		
	Socket, IC, 14-pin	291542	00779	583527-1	1		
	Socket, IC, 16-pin	291534	00779	583529-1	3		
	Socket, IC, 40-pin	376244	23880	TSA3100-40W	1		
	Socket, relay, 2-poles	376665	77342	27E501	1		
	Strap, relay retainer	381624	77342	P49	1		
	Front Panel Assembly (Not Illustrated)						
	Display PCB Assembly	373860	89536	373860	1		
C38	Cap, cer, 47 pF $\pm 10\%$, 2kV	282145	00656	HVD3-47 +10% 2KV-I	1		
F1	Fuse, fast acting, 2A	376582	71400	AGX	1	5	
J1	Jack, banana, red	162065	74970	108902	1		
J2, J3	Jack, banana, black	162073	74970	108903	2		
XF1	Fuseholder	345611	89536	345611	1		
	Lens, display	367920	89536	367920	1		
	Panel, molded	369041	89536	369041	1		
	Decal, panel	375865	89536	375865	1		
	Retainer, neoprene	352484	77969	9109E	2		
	 Indicates MOS device which may be damaged by static discharge.						

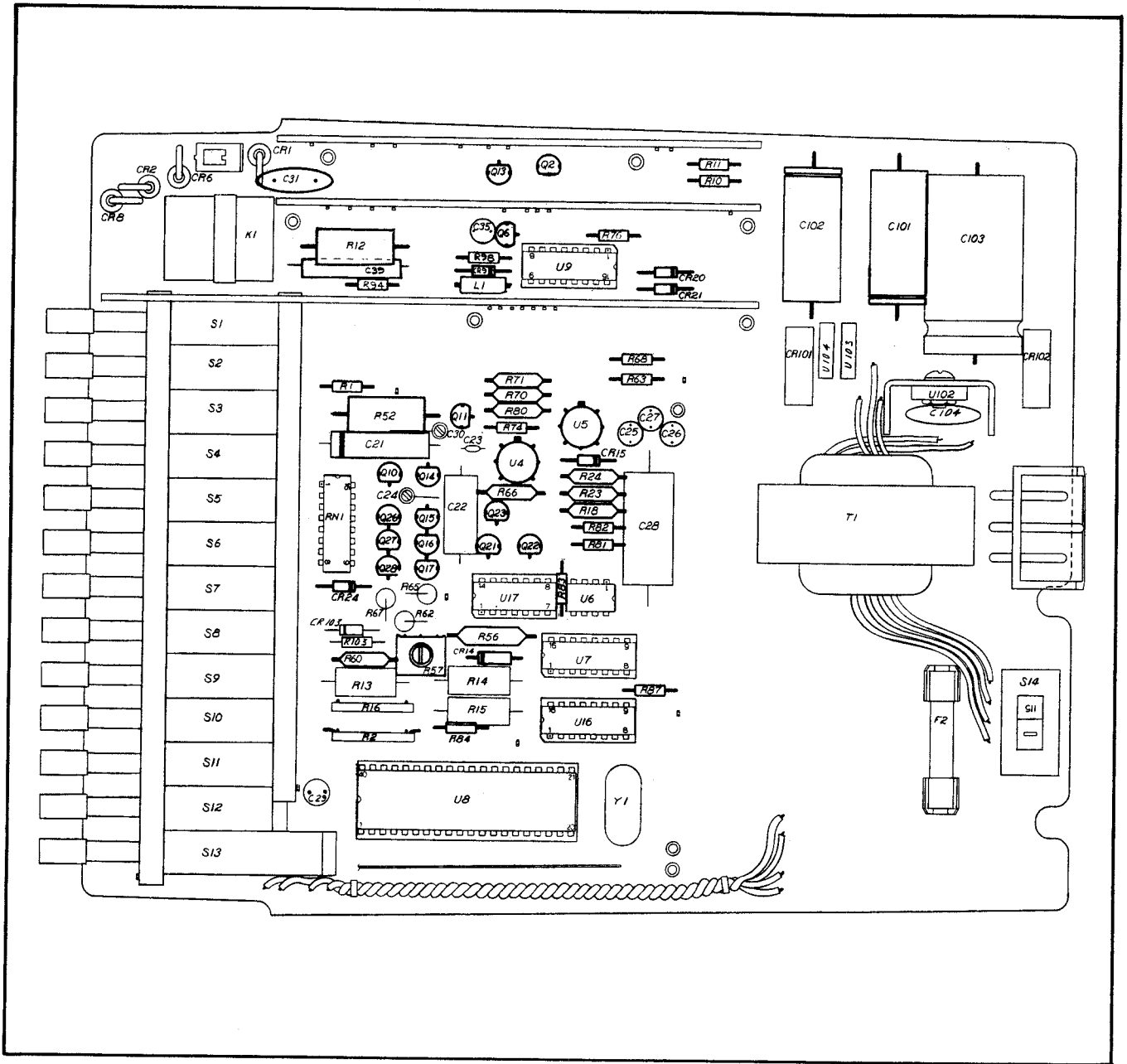





Figure 5-2. FRONT PANEL AND MAIN PCB ASSEMBLY (8600A Line Power)

REF DESIG OR ITEM NO.	DESCRIPTION	FLUKE STOCK NO.	MFG FED SPLY CDE	MFG PART NO. OR TYPE	TOT QTY	REC QTY	USE CDE
	FRONT PANEL AND MAIN PCB ASSY (8600A-01 Battery Power)	366906	89536	366906	REF		
	Main PCB Assembly - Figure 5-3						
BT1 thru BT4	Battery Ni-Cad, 1.2V	346924	89536	346924	4		
C21	Cap, polystyrene, 0.022uF \pm 10%, 100V	333823	01281	863VW22391	1		
C22	Cap, polycarbon, 0.47uF \pm 10%, 100V	288860	01281	X463VW47491	1		
C23	Cap, cer, 2.7pF \pm 0.25pF, 100V	363705	80031	2222-631-09278	1		
C24, C30	Cap, var, 0.25 - 1.5pF \pm 0.25pF, 200V	218206	72982	530-000	2	1	
C25, C26, C27, C29, C35	Cap, Ta, 10uF \pm 20%, 20V	330662	56289	196D106X0020 JA1	5		
C28	Cap, polypropylene, 0.47uF \pm 10%, 20V	363085	01281	JF86	1		
C31	Cap, cer, 0.001uF \pm 20%, 3KV/5.25KV	105635	56289	29C300	1		
C39	Cap, mylar, 0.01uF \pm 20%	159996	01281	663UW103-010 W	1		
CR1, CR2, CR6, CR8	Diode, rectifier, Si, 2A, 50V	347559	14099	1N5400	4	1	
CR9, CR15, CR20, CR21, CR24	Diode, Si, 150 mA	203323	07910	1N4448	5	1	
CR14, R56, R60	Zener, reference set	377283	89536	377283	1	1	
CR22, CR23	Diode, zener	291575	12969	UZ8720	2	1	
CR27	Diode, zener	256446	07910	1N755A	1	1	
CR201, CR204	Diode, Si, rectifier, 1A, 100V	343491	01295	1N4002	2	1	
F2	Fuse, Slow blow, 1/2A	109322	71400	MDL	1	5	
K1	Relay, telephone, DPDT	357707	12300	R10E2662-2	1		
L1	Choke, rf, 100uH	111542	99800	1537-76	1		

REF DESIG OR ITEM NO.	DESCRIPTION	FLUKE STOCK NO.	MFG FED SPLY CDE	MFG PART NO. OR TYPE	TOT QTY	REC QTY	USE CDE
L2	Inductor, 6 turn	320911	89536	320911	1		
Q2, Q6	Xstr, Si, PNP	195974	04713	2N3906	2	1	
Q10, Q26, Q27, Q28	Xstr, Si, NPN	159855	07910	CS23030	4	1	
Q11	Xstr, Si, NPN, selected	352138	89536	352138	1	1	
Q13,Q23	Xstr, J-FET, N-channel	370072	12040	TYPE KE4393	2	1	
Q14, Q15	Xstr, J-FET, N-channel	357897	21845	F2691	2	1	
Q16, Q17, Q21, Q22	Xstr, J-FET, N-channel	357889	21845	F2692	4	1	
Q43	Triac	413013	89536	413013	1	1	
R1	Res, fxd, comp, 100K $\pm 5\%$, $\frac{1}{4}W$	148189	01121	CB1045	1		
R2	Res, fxd, WW, card, 0.1 $\pm 0.05\%$	374611	89536	374611	1	1	
R10, R11, R83	Res, comp, 470K $\pm 5\%$, $\frac{1}{4}W$	188441	01121	CB4745	3		
R12, R52	Res, comp, 100K $\pm 5\%$, 2W	285056	01121	HB1045	2		
R13	Res, WW, 900 $\pm 0.05\%$, 1/10W	357483	89536	357483	1	1	
R14	Res, WW, 90 $\pm 0.05\%$, 1/10W	357517	89536	357517	1	1	
R15	Res, WW, 9 $\pm 0.05\%$, 1/10W	357525	89536	357525	1	1	
R16	Res, WW, card 1 $\pm 0.05\%$	356097	89536	356097	1	1	
R18	Res, met film, 60.4K $\pm 1\%$, 1/8W	291419	91637	MFF1-86042F	1		
R23	Res, met film, 30.1K $\pm 1\%$, 1/8W	168286	91637	MFF1-83012F	1		
R24	Res, met, film, 90.9K $\pm 1\%$, 1/8W	223537	91637	MFF1-89092F	1		
R57	Res, var, cer, 500 $\pm 10\%$, $\frac{1}{2}W$	325613	71450	360T501A	1	1	
R62, R65, R67	Res, matched set, 3 piece	375782	89536	375782	1	1	
R63, R76	Res, comp, 10K $\pm 5\%$, $\frac{1}{4}W$	148106	01121	CB1035	2		
R66	Res, met film, 22.1K $\pm 1\%$, 1/8W	235234	91637	MFF1-82212F	1		

REF DESIG OR ITEM NO.	DESCRIPTION	FLUKE STOCK NO.	MFG FED SPLY CDE	MFG PART NO. OR TYPE	TOT QTY	REC QTY	USE CDE
R68	Res, comp, 56K $\pm 5\%$, $\frac{1}{4}W$	170738	01121	CB5635	1		
R70	Res, met film, 8.06K $\pm 1\%$, 1/8W	294942	91637	MFF1-88061F	1		
R71	Res, met film, 2K $\pm 1\%$, 1/8W	235226	91637	MFF1-8203F	1		
R74	Res, comp, 4.7M $\pm 5\%$, $\frac{1}{4}W$	220046	01121	CB4755	1		
R80	Res, met film, 200K $\pm 1\%$, 1/8W	261701	91637	MFF1-8204F	1		
R81	Res, comp, 10 $\pm 5\%$, $\frac{1}{4}W$	147868	01121	CB1005	1		
R82	Res, comp, 2.7M $\pm 5\%$, $\frac{1}{4}W$	193490	01121	CB2745	1		
R84	Res, comp, 2.2K $\pm 5\%$, $\frac{1}{4}W$	148049	01121	CB2225	1		
R87	Res, comp, 4.7K $\pm 5\%$, $\frac{1}{4}W$	148072	01121	CB4725	1		
R94	Res, comp, 1K $\pm 5\%$, $\frac{1}{4}W$	148023	01121	CB1025	1		
R98	Res, comp, 220 $\pm 5\%$, $\frac{1}{4}W$	147959	01121	CB2215	1		
RN1	Res, network, 15 piece	385815	89536	385815	1	1	
S1 thru S13	Switch assembly, push-button	390948	89536	390948	1	1	
T1	Xfmr, power	372003	89536	372003	1		
U4	IC, operational amp, yellow dot	381962	89536	381962	1	1	
U5	IC, operational amp, red dot	385450	89536	385450	1	1	
U6	IC, linear opnl ampl	352195	12040	LM811N8	1	1	
U7	IC, hex, buffer/converter	355214	12040	MC14009CP	1	1	
U8	(See Final Assembly)						
U9	IC, bipolar ROM	376061	01295	SN7488AN	1	1	
U16	IC, digital, C-MOS, 2-channel, multiplexer 	375808	49671	CD4053AE	1	1	
U17	IC, digital, C-MOS, Quad, switch 	363838	49671	CD4016AE	1	1	
XBT	Battery holder	390450	89536	390450	4		
XF2	Fuse holder	103283	71400	4405	1	5	
Y1	Crystal, 1.000 MHz	358069	30148	TYPE 815A	1	1	
	Battery polarity label	380675	89536	380675	2		
	Connector, post	379438	00779	86144-5	7		
	Connector, post	376574	00779	5166-333-68	29		
	Contact, battery	344200	89536	344200	8		

REF DESIG OR ITEM NO.	DESCRIPTION	FLUKE STOCK NO.	MFG FED SPLY CDE	MFG PART NO. OR TYPE	TOT QTY	REC QTY	USE CDE
	Contact, fuse	397992	89536	397992	1		
	Rectacle, power, 3 prong						
	Insulator, receptacle	338624	89536	338624	1		
	Contact, earth common	338640	89536	338640	1		
	Contact, voltage	338657	89536	338657	2		
	Pushbutton, grey	369546	71590	J52305-J31753	12		
	Pushbutton, green	352211	71590	J52305-J71449	1		
	Socket, IC, 14 pin	291542	00779	583527-1	1		
	Socket, IC, 16 pin	291534	00779	583529-1	3		
	Socket, IC, 40 pin	376244	23880	TSA3100-40W	1		
	Socket, relay, 2 poles	376665	77342	27E501	1		
	Strap, relay retainer	381624	77342	P49	1		
	Front Panel Assembly (Not Illustrated)						
	Display PCB Assembly	373860	89536	373860	1		
C38	Cap, cer, 47pF $\pm 10\%$, 2kV	282145	00656	HVD3 47 $\pm 10\%$, 2KV-I	1		
F1	Fuse, fast acting, 2A	376582	71400	AGX	1	5	
J1	Jack, banana, red	162065	74970	108902	1		
J2, J3	Jack, banana, black	162073	74970	108903	2		
XF1	Fuseholder	345611	89536	345611	1		
	Lens, display	367920	89536	367920	1		
	Panel, molded	369041	89536	369041	1		
	Decal, panel	375865	89536	375865	1		
	Retainer, neoprene	352484	77969	9109E	2		
	 Indicates MOS device which may be damaged by static discharge.						

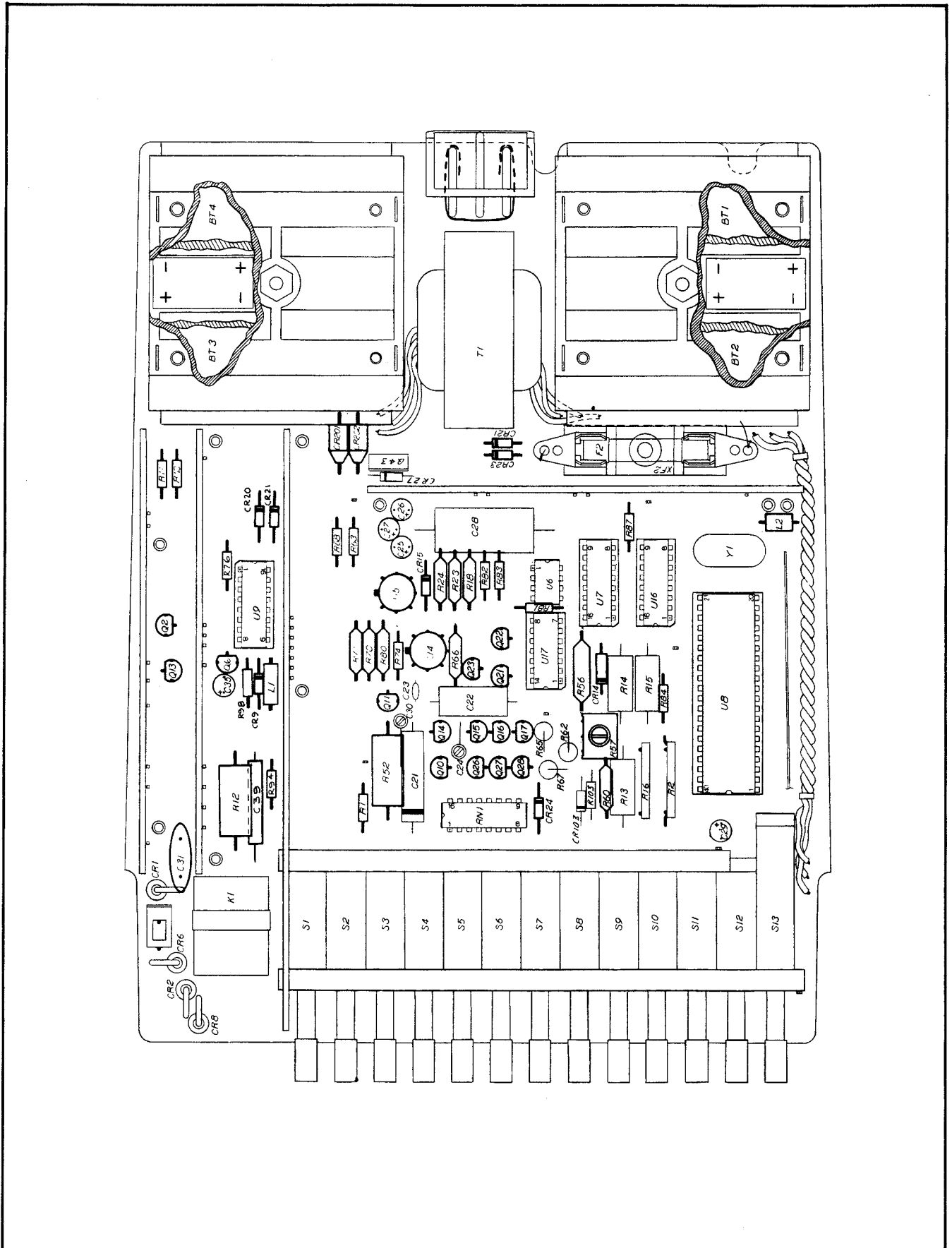


Figure 5-3. FRONT PANEL AND MAIN PCB ASSEMBLY (8600A-01 Battery Power)

REF DESIG OR ITEM NO.	DESCRIPTION	FLUKE STOCK NO.	MFG FED SPLY CDE	MFG PART NO. OR TYPE	TOT QTY	REC QTY	USE CDE
	DISPLAY PCB ASSEMBLY (8600A-4002)	373860	89536	373860	REF		
	Figure 5-4						
CR3, CR4	Diode, light emitting, red	385914		SSL22	2	1	
Q29, Q31, Q33, Q35, Q37, Q39, Q40, Q41	Xstr, Si, NPN	218396	04713	2N3904	8	2	
Q30, Q32, Q34, Q36, Q38	Xstr, Si, PNP	340026	07263	MPS6563	5	1	
Q42	Xstr, Si, PNP	195974	04713	2N3906	1		
R85	Res, comp, 560 \pm 5%, 1/4W	147991	01121	CB5615	1		
R86	Res, comp, 68 \pm 5%, 1/4W	147918	01121	CB6805	1		
RN2	Res, network	381376	89536	381376	1	1	
U10	IC, TTL, decoder/driver	340109	01295	SN7447AN	1	1	
U11	Display. LED	429936	29083	MAN73/Q3033	1		
U12 thru U15	Display, LED	429928	29083	MAN72/Q3032	4		

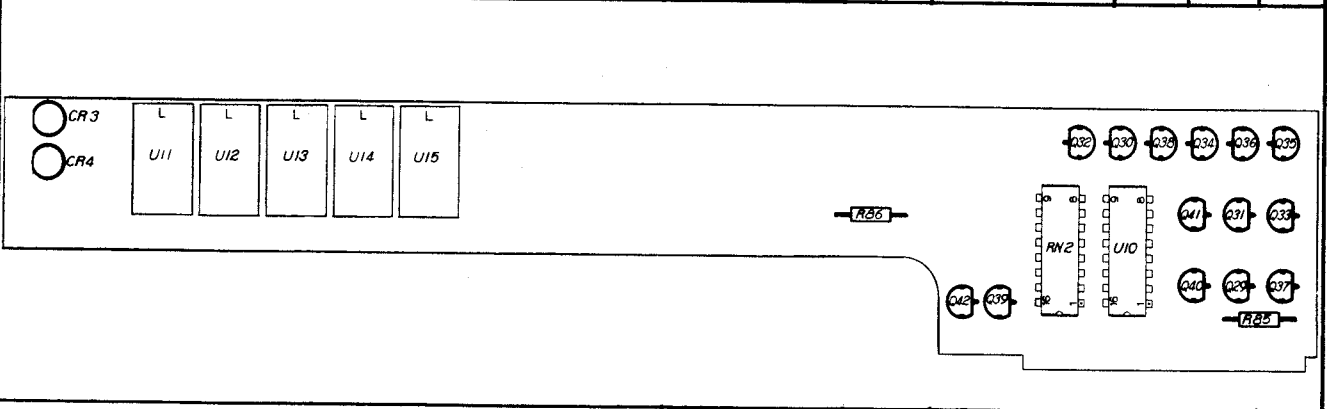


Figure 5-4. DISPLAY PCB ASSEMBLY

REF DESIG OR ITEM NO.	DESCRIPTION	FLUKE STOCK NO.	MFG FED SPLY CDE	MFG PART NO. OR TYPE	TOT QTY	REC QTY	USE CDE
	BATTERY POWER SUPPLY PCB ASSY (-01 Option) (8600A-4006)						
	100VAC Version	378380	89536	378380	REF		
	115VAC Version	373837	89536	373837	REF		
	230VAC Version	378372	89536	378372	REF		
	Figure 5-5						
C201	Cap, mylar, 5.0uF $\pm 5\%$, 150V (Used on 115V ac version)	364190	56289	TYPE 439 P	1		
C201	Cap, mylar 6.6uF $\pm 5\%$, 135V (Used on 100V ac version)	394189	56289	TYPE 439P	1		
C201	Cap, metalized polypropylene 2.8uF $\pm 5\%$, 300V (Used on 230V ac version)	394197	89536	394197	1		
C203, C204	Cap, Ta, 6.8uF $\pm 20\%$, 35V	363713	56289	196D685X0035 KA1	2		
C204	Cap, Ta, 22uF $\pm 10\%$, 15V	182816	56289	150D226X9015 B2	1		
C205	Cap, cer, 0.01uF $+80/-20\%$, 500V	105668	56289	33C4186	1		
CR203 thru CR206	Diode, Hi-speed, switching	203323	07910	1N4148	4		
L201	Choke, 6 turn	320911	89536	320911	1		
Q201, Q202	Xstr, Si, NPN	330803	07263	MPS6560	2		
Q203	Xstr, Si, PNP	195974	04713	2N3906	1		
R201	Res, comp, 1M $\pm 5\%$, $\frac{1}{4}W$	182204	01121	CB1055	1		
R202	Res, comp, 1.2K $\pm 5\%$, $\frac{1}{4}W$	190371	01121	CB1225	1		
R204	Res, comp, 22 $\pm 5\%$, $\frac{1}{4}W$	147884	01121	CB2205	1		
R207	Res, comp, 8.2K $\pm 5\%$, $\frac{1}{4}W$	160796	01121	CB8225	1		
R208	Res, met film, 4.53K $\pm 1\%$, 1/8W	260331	91637	MFF1-84531F	1		
R209	Res, met film, 16.9K $\pm 1\%$, 1/8W	267146	91637	MFF1-81692F	1		
T2	Xfmr, inverter	372011	89536	372011	1		
U202	IC, voltage regulator	413187	04713	MC7815CP	1	1	
U203	IC, voltage regulator	413179	04713	MC7915CP	1	1	
1	Connector, plug/jack, red	170480	74790	105-752	3		
2	Receptacle, Amp Mode II	375329	00779	85863-3	5		

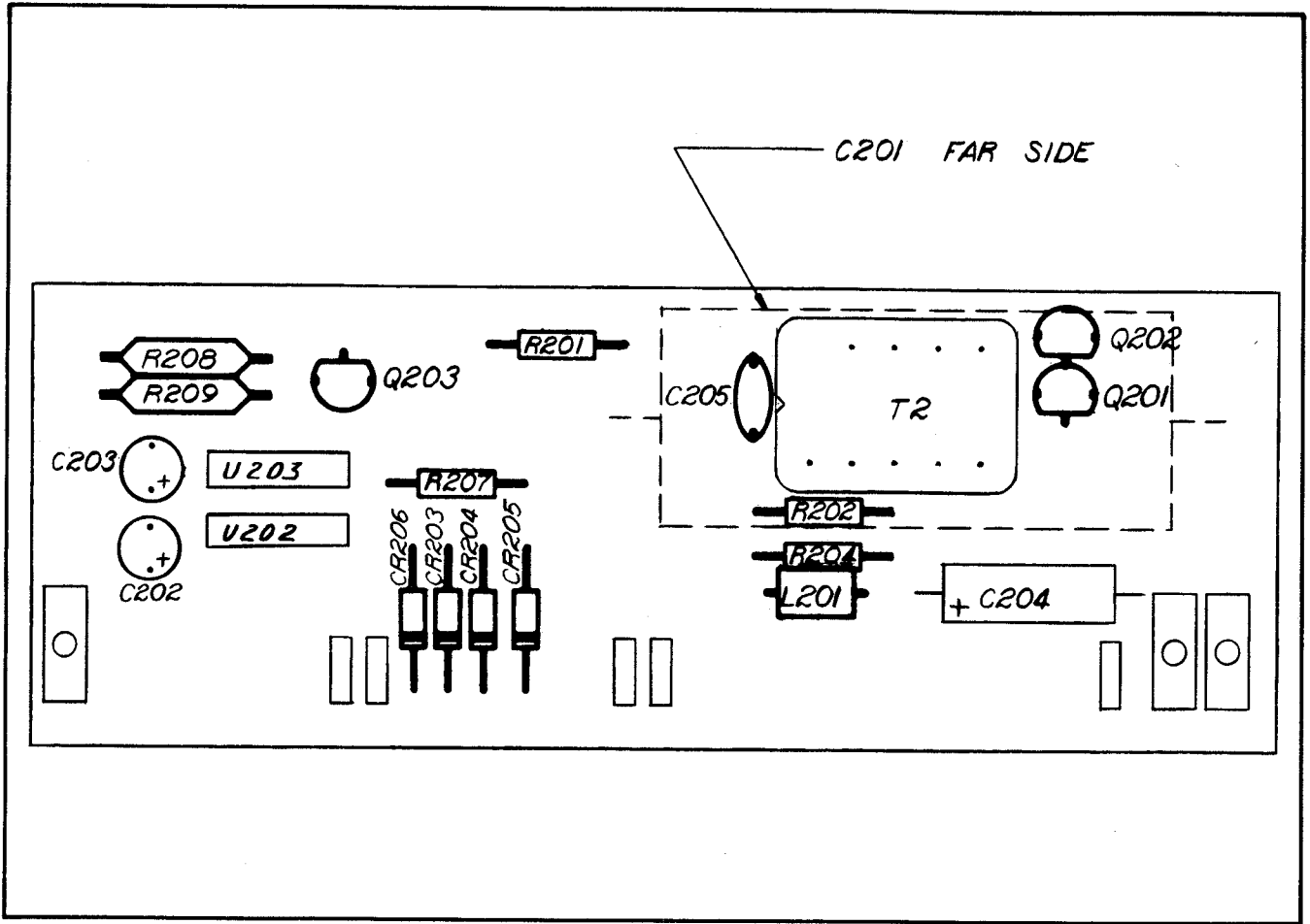


Figure 5-5. BATTERY POWER SUPPLY PCB ASSEMBLY (-01 Option)

REF DESIG OR ITEM NO.	DESCRIPTION	FLUKE STOCK NO.	MFG FED SPLY CDE	MFG PART NO. OR TYPE	TOT QTY	REC QTY	USE CDE
	AC CONVERTER PCB ASSEMBLY (8600A-4003)	373852	89536	373852	REF		
	Figure 5-6						
C1	Cap, cer, 0.05uF GMV, 1KV/2KV	355420	71590	2DD65N5032	1		
C2,C19	Cap, var, 0.25 - 1.5pF, 2000VDC	218206	72982	530-000	2		
C5	Cap, cer, 15pF $\pm 2\%$, 100V	369074	80031	2222-631-10159	1		
C6,C7, C32, C33, C34	Cap, cer, 0.025uF $\pm 20\%$, 100V	168435	56289	C023B101H253 M	5		
C9	Cap, cer, 27pF $\pm 2\%$, 100V	362749	80031	2222-631-10279	1		
C10	Cap, var, cer, 1.7 10 pF, 250V	375238	91293	9931	1		
C11	Cap, polystyrene, 9100pF	355321	91590	2DRP00J912GA A	1		
C12, C13	Cap, Ta, 330uF $\pm 20\%$, 3V	385963	56289	196D337X0004 LA3	2		
C14, C20	Cap, mylar, 0.47uF $\pm 10\%$, 100V	369124	73445	C280MAHA470 K	2		
C15	Cap, Ta, 39uF $\pm 20\%$, 6V	163915	56289	196D396X0006 JA1	1		
C16	Cap, Ta, 5.6uF $\pm 20\%$, 20V	368969	56289	196D565X0020	1		
C17	Cap, mica, 400pF $\pm 1\%$, 500V	385328	71236	DM15F401F	1		
C18	Cap, cer, 2.2pF $\pm 0.25\text{pF}$, 100V	362731	80031	2222-631-09228	1		
CL1	Current limiter, regulator	334714	07910	TCR5315	1		
CR5, CR11, CR12, CR16, CR17	Diode, low cap	375907	07263	TYPE FD700	5		
K6,K7, K8	Relay, reed, SPST	357566	71707	E8182	3		
Q1	Xstr, dual FET	379321	17856	E7024	1		
Q7	Xstr, Si, NPN	218396	04713	2N3904	1		
Q8	Xstr, Si, PNP	352146	89536	352146	1		
Q9	Xstr, Si, NPN	330803	07263	MPS6560	1		
R17	Res, met film, 2M $\pm 0.5\%$, 1W	354894	80031	MF8C205	1		

REF DESIG OR ITEM NO.	DESCRIPTION	FLUKE STOCK NO.	MFG FED SPLY CDE	MFG PART NO. OR TYPE	TOT QTY	REC QTY	USE CDE
R25	Res, deposited carbon, 10K $\pm 5\%$, $\frac{1}{4}W$	348839	TOYO	R251-41035	1		
R26	Res, deposited carbon, 2.2K $\pm 5\%$, $\frac{1}{4}W$	343400	TOYO	R251-42225	1		
R32, R33	Res, comp, 15K $\pm 5\%$, $\frac{1}{4}W$	148114	01121	CB1535	2		
R37, R38, R45, R46, R47	Res, matched set, 5 pc	426544	89536	426544	1	1	
R40	Res, comp, 240 $\pm 5\%$, $\frac{1}{4}W$	221895	01121	CB2415	1		
R43	Res, comp, 150K $\pm 5\%$, $\frac{1}{4}W$	182212	01121	CB1545	1		
R49, R89	Res, met film, 68.1K $\pm 1\%$, 1/8W	236828	91637	MFF1-86812F	2		
R50	Res, var, cermet, 50 $\pm 10\%$, $\frac{1}{2}W$	285122	71450	360S500A	1		
R51	Res, met film, 2.194K $\pm 0.25\%$, 1/8W	375345	91637	MFF1-82R194P	1		
R72	Res, var, cermet, 20K $\pm 10\%$, $\frac{1}{2}W$	291609	71450	360S203A	1		
R75	Res, comp, 120K $\pm 5\%$, $\frac{1}{4}W$	193458	01121	CB1245	1		
R77	Res, deposited carbon, 62K $\pm 5\%$, $\frac{1}{4}W$	384904	TOYO	R251-46235	1		
R79	Res, deposited carbon, 12K $\pm 5\%$, $\frac{1}{4}W$	348847	TOYO	R251-41235	1		
R88	Res, met film, 59.0K $\pm 1\%$, 1/8W	261677	91637	MFF1-8593F	1		
U2	IC, Operational Amplifier	329912	12040	LM318H	1		
	Connector, plug/jack, red	170480	74970	105-752	2		
	Shield	388314	89536	388314	1		
	Receptacle, Amp MOD II	375329	00779	85863-3	7		

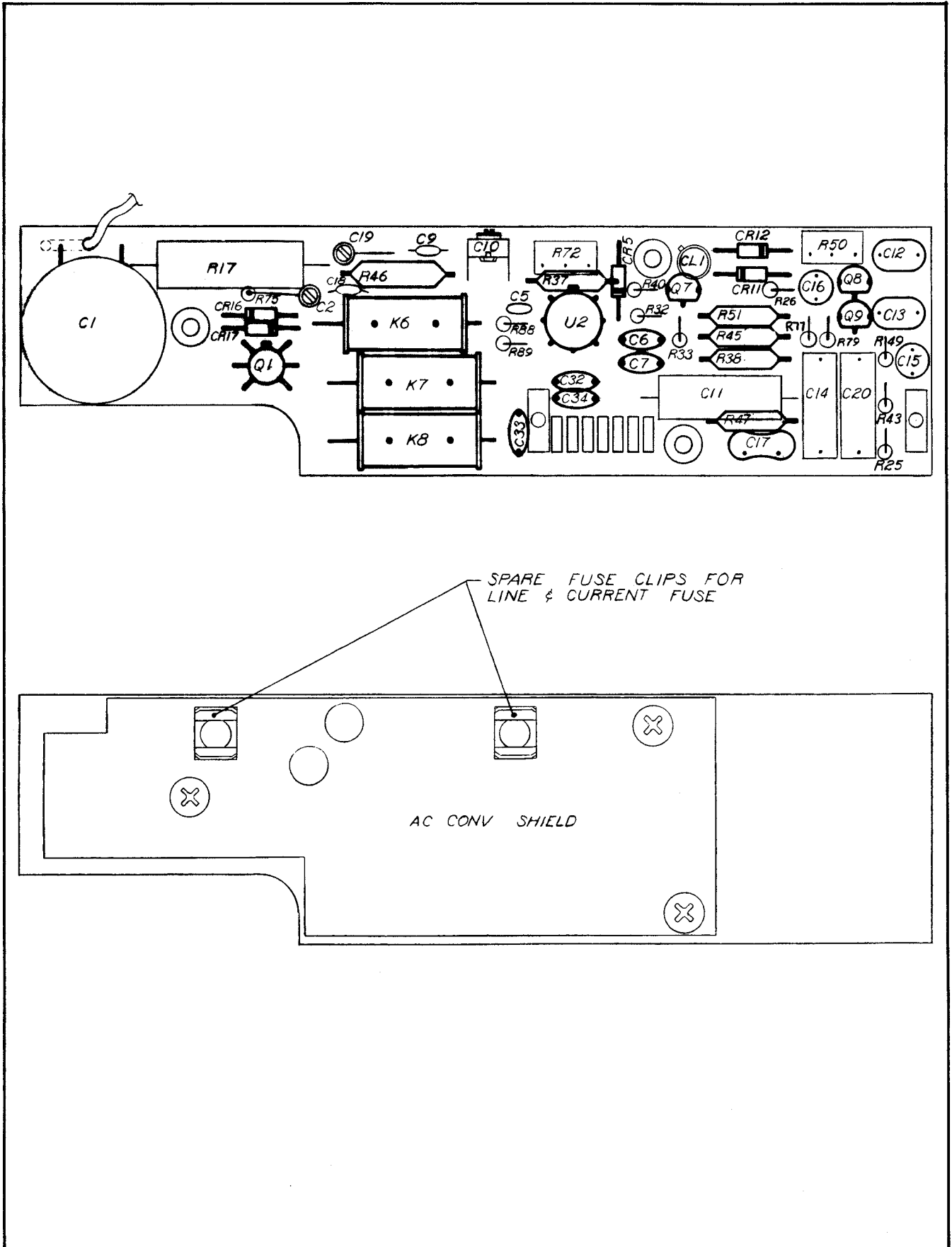
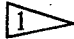





Figure 5-6. AC CONVERTER PCB ASSEMBLY

REF DESIG OR ITEM NO.	DESCRIPTION	FLUKE STOCK NO.	MFG FED SPLY CDE	MFG PART NO. OR TYPE	TOT QTY	REC QTY	USE CDE
	OHMS CONVERTER ASSEMBLY (8600A-4004) Figure 5-7	373845	89536	373845	REF		
C3	Cap, mylar, 0.022uF $\pm 20\%$, 250V	369165	25403	C281A/A22K	1		
C8	Cap, cer, 33pF $\pm 2\%$, 100V	354852	80031	2222-638-10339	1		
CR2	Diode, zener	266601	07910	1N965B	1		
CR10	Diode, zener 				1		
CR22	Diode, Si, hi-speed, switch	203323	03508	1N4148	1		
K5	Relay, reed, SPST	357582	71707	UF40070	1		
Q2,Q12	Xstr, Si, PNP	195974	04713	2N3906	2		
Q3	Xstr, FET, N-channel	357905	21845	F2690	1		
R19	Res, comp, 220 $\pm 5\%$, $\frac{1}{4}W$	147959	01121	CB2215	1		
R21	Res, var, cermet, 200 $\pm 10\%$, $\frac{1}{2}W$	285148	71450	360S201A	1		
R22	Res, met film, 2K $\pm 1\%$, $\frac{1}{8}W$	335422	91637	MFF1-8202F	1		
R27	Res, var, cermet, 100 $\pm 10\%$, $\frac{1}{2}W$	285130	71450	360S101A	1		
R28	Res, WW, power, 9.95K $\pm 0.1\%$, 5W	363275	ARC 1DY	160-9950-1	1		
R29	Res, var, cermet, 50 $\pm 10\%$, $\frac{1}{2}W$	285122	71450	360S500A	1		
R35	Res, WW bobbin, 13.5K $\pm 0.1\%$, 0.15W	363119	54294	SP21	1		
R41	Res, selected 				1		
R42, R99	Res, comp, 10K $\pm 5\%$, $\frac{1}{4}W$	148106	01121	CB1035	2		
R48	Res, comp, 2.2K $\pm 5\%$, $\frac{1}{4}W$	148049	01121	CB2225	1		
R90	Res, selected 				1		
R91	Res, met film, 4.22K $\pm 1\%$, $\frac{1}{8}W$	168245	91637	MFF1-84221F	1		
U1	IC, operational amplifier	357830	12040	LH0042C	1		
U3	IC, linear, operational amplifier	363515	24355	AD301AN	1		
	Connector, plug/jack, red	170480	74970	105-752	2		
	Receptacle, Amp, MODII	375329	00779	8586303	8		
	Socket, IC, 14-pin DIP	276527	23880	TSA2900-14W	1		
	CR10, R90, and R41 are matched components. Order Part No. 458760		89536				

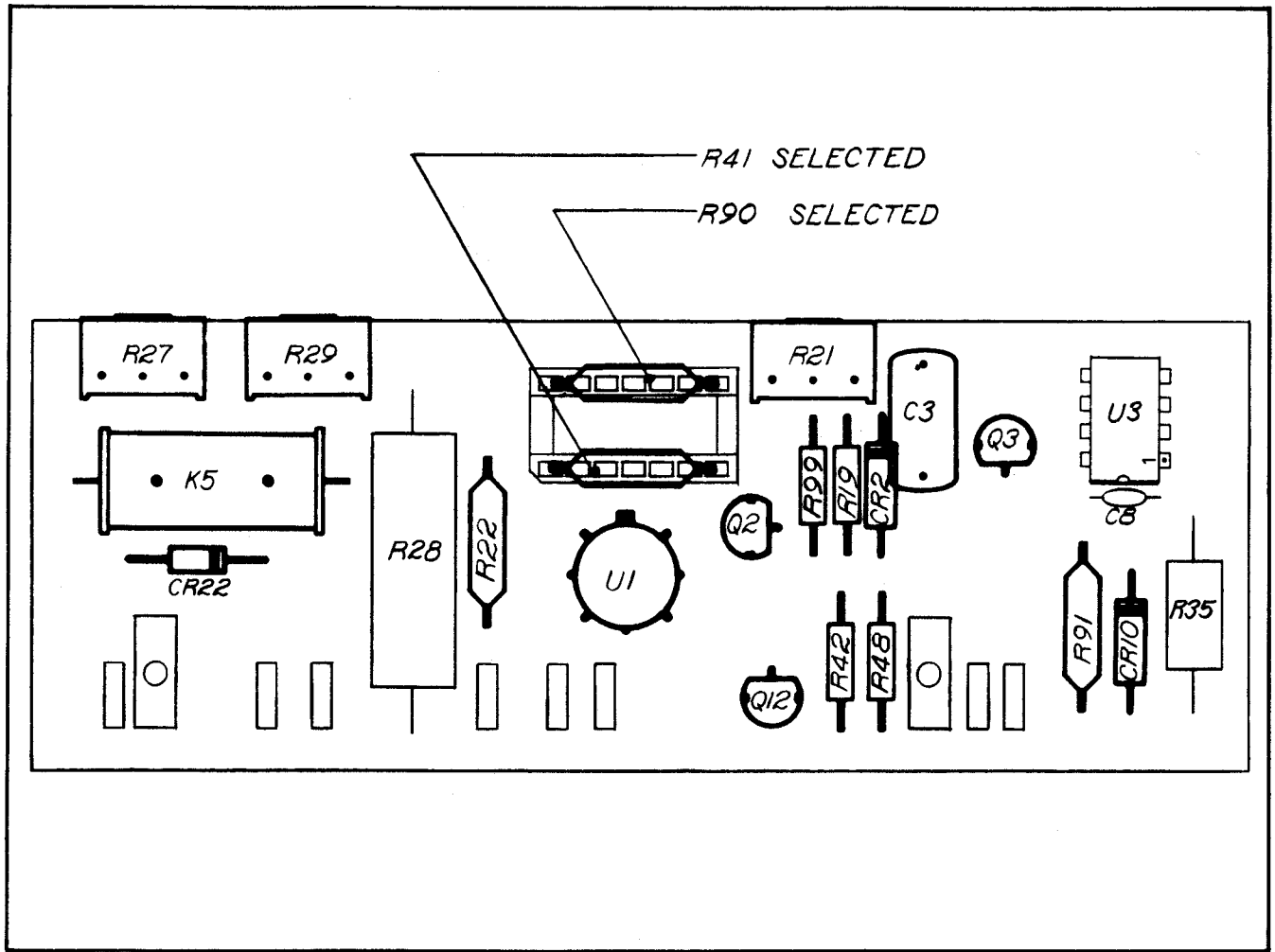


Figure 5-7. OHMS CONVERTER ASSEMBLY

REF DESIG OR ITEM NO.	DESCRIPTION	FLUKE STOCK NO.	MFG FED SPLY CDE	MFG PART NO. OR TYPE	TOT QTY	REC QTY	USE CDE
	INPUT DIVIDER PCB ASSEMBLY (8600A-4005) Figure 5-8	397463	89536	397463	REF		
CR13, CR18, CR19	Diode, Si, 150 mA	203323	03508	1N4148	3		
K2, K3	Relay, dry reed, SPST	357582	71707	UF40070	2		
K4	Coil, reed relay	269019	71707	U6P	1		
	Dry reed, SPST	289850	71707	289850	1		
R4	Res, var, cermet, 5K \pm 10%, $\frac{1}{2}$ W	288282	71450	360S502A	1		
R6	Re, var, cermet, 500 \pm 10%, $\frac{1}{2}$ W	291120	71450	360S501A	1		
R8	Res, var, cermet, 50 \pm 10%, $\frac{1}{2}$ W	285122	71450	360S500A	1		
RN3	Res, network, 5 pc	375105	01281	JF002	1		
	Connector, plug/jack, red	170480	74970	105-752	2		
	Receptacle, Amp, MODII	375329	00779	85836-3	9		

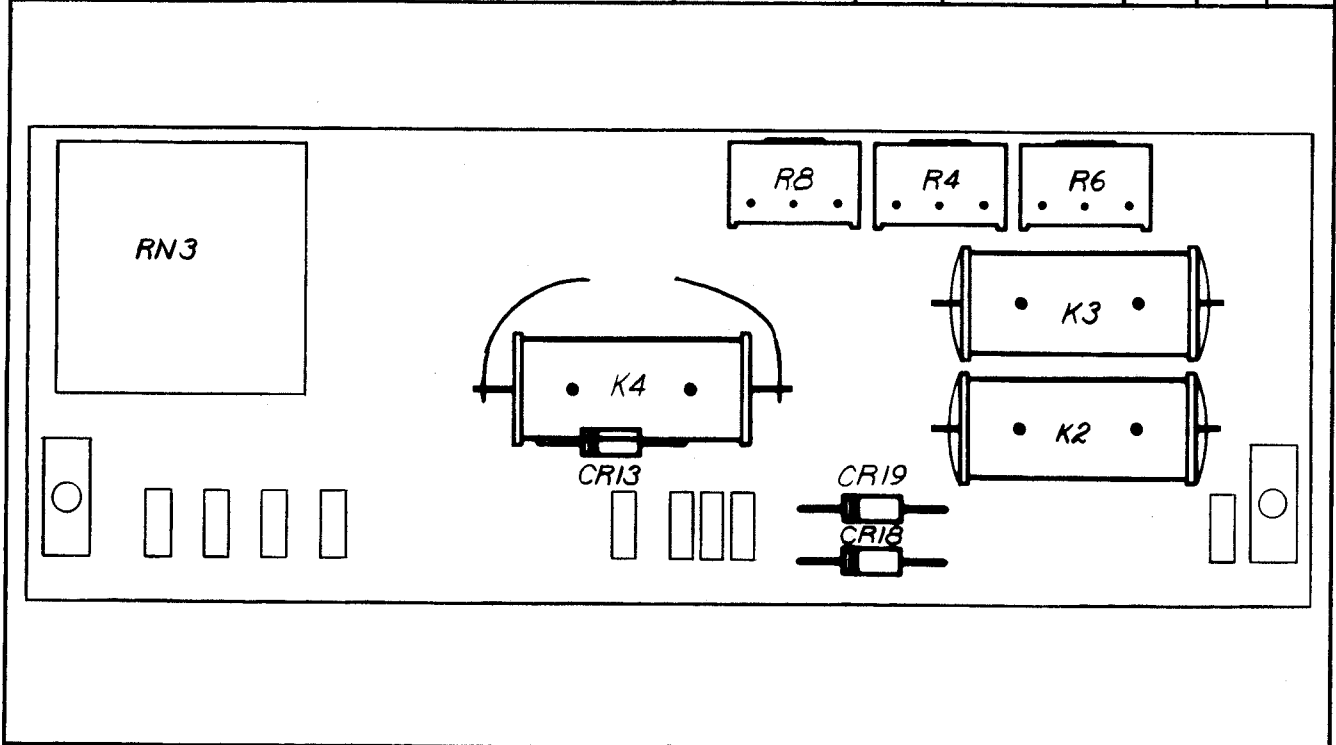






Figure 5-8. INPUT DIVIDER PCB ASSEMBLY

REF DESIG OR ITEM NO.	DESCRIPTION	FLUKE STOCK NO.	MFG FED SPLY CDE	MFG PART NO. OR TYPE	TOT QTY	REC QTY	USE CDE
	DOU PCB ASSEMBLY -02 Option (8800A-4005) Figure 5-9	366369	89536	366369	1		
C1, C3	Cap, elect, 220uF +50/-10%, 10V	236935	73445	ET221X010A5	2		
C2	Cap, plstc, 0.022uF ±10%, 50V	271577	06001	75F1R5A222	1		
C4	Cap, cer, 0.05uF +80/-10%, 25V	148924	32897	5855Y5U503Z	1		
CR1	Rectifier, bridge	296509	51605	FB100	1		
CR2	Diode, zener, 5.6V	277236	07910	1N752A	1		
Q1, Q2, Q5	Xstr, Si, NPN	218396	04713	2N3904	3		
Q3,Q4	Xstr, Si, PNP	195974	04713	2N3906	2		
R15, R16	Res, desposited carbon, 1K ±5%, ¼W	343426	TOYO	R251025	2		
R17, R18	Res, comp, 4.7M ±5%, ¼W	220046	01121	CB4755	2		
RN1	Res, network	385930	89536	385930	1		
T1	Xfrm, power	374652	89536	374652	1		
U1 thru U4, U10	IC, C-MOS, dual 4-bit static shift register 	340125	04713	MC14015CP	5		
U5	IC, C-MOS, dual, type D flip-flop 	340117	04713	MC14013CL	1		
U6	IC, C-MOS, NOR Gate 	355172	04713	MC14001CL	1		
U7,U8, U12, U13, U14	IC, C-MOS, hex, buffer/inverter	381848	49671	CD4049AE	5		
U9	IC, DTL, C-MOS, quad, bilateral SW	363838	49671	CD4016AE	1		
U11	IC, C-MOS, dual 4-input NOR gate	363820	49671	CD4002AE	1		
U16, U17	Opto-Isolator, photo Xstr	380014	89536	MCT2	2		
	Cable, flat	385922	08261	5112-007.25X	1		
	Socket, IC, 14 pin	276527	23880	TSA2900-14W	4		
	Socket, IC 16 pin	276535	23880	TSA2900-16W	11		
	 Indicates MOS device which may be damaged by static discharge.						

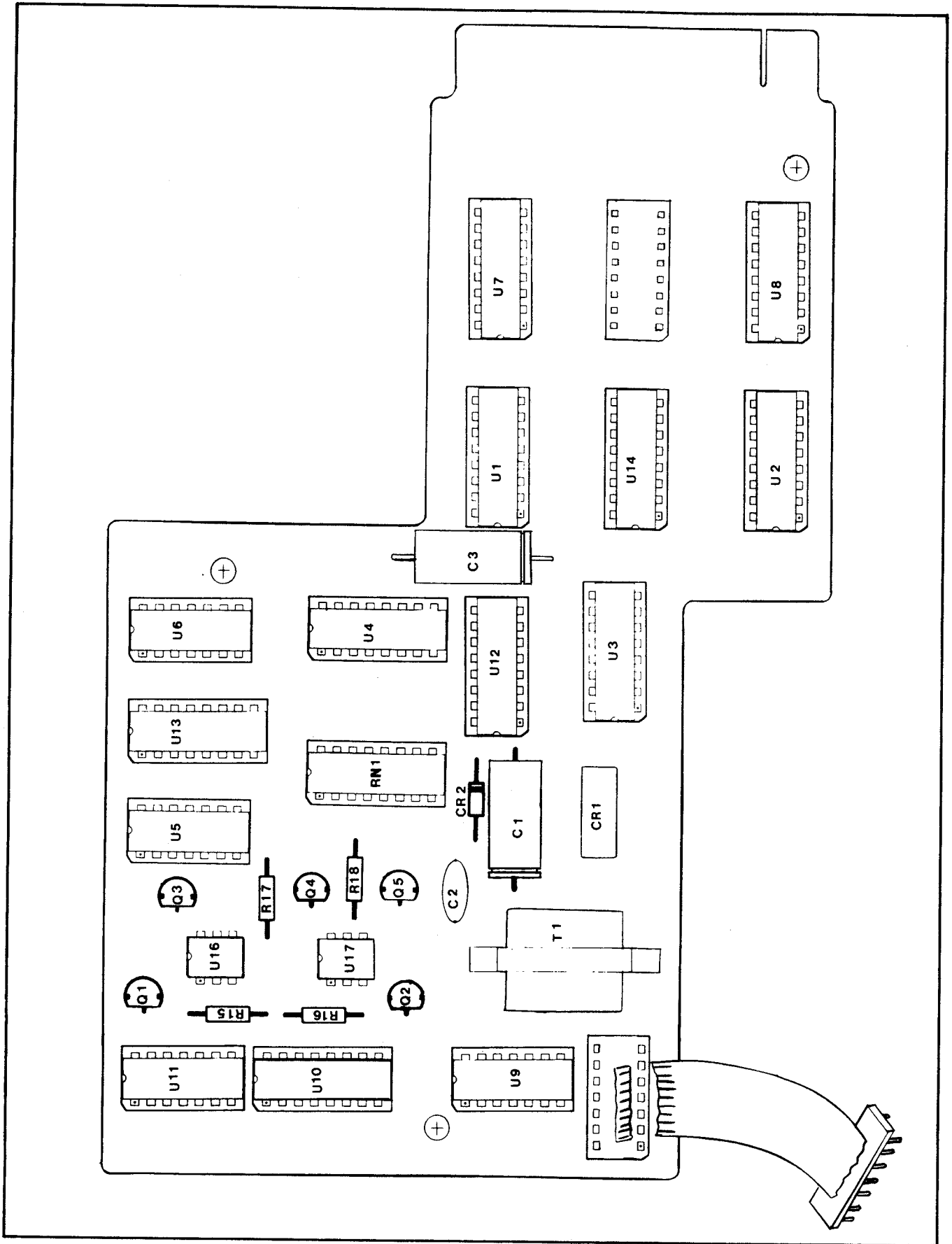


Figure 5-9. DOU PCB ASSEMBLY -02 Option

Section 6

Option & Accessory Information

6-1. INTRODUCTION

6-2. This section of the manual contains information pertaining to the options and accessories available for your instrument. Each of the options and accessories are described under separate major headings containing the model or option number. The option descriptions contain applicable operating and maintenance instruction, and field installation procedures. Replaceable parts and schematics for all options are given in Sections 5 and 8, respectively.

6-3. CARRYING CASE (C80)

6-4. The Model C80 Carrying Case, Figure 6-1, is a soft vinyl plastic container, designed for the storage and transport of the 8600A. The case provides the 8600A with adequate protection against normal handling and storage conditions. A separate storage compartment is provided for test leads, power cord, and other compact accessories.

6-5. CARRYING CASE (C86)

6-6. The Model C86 Carrying Case, Figure 6-2, is a molded polyethylene container, with handle, designed for use in transporting the 8600A. This rugged case provides the 8600A with maximum protection against rough handling and adverse weather conditions. A separate storage compartment is provided for test leads, power cord, and other compact accessories.

6-7. FRONT PANEL DUST COVER (M00-100-714)

6-8. The front panel dust cover is a molded plastic snap-on accessory which fits over the front panel of the

8600A. The dust cover provides protection for the front panel controls, and is useful when storing or transporting the 8600A.

6-9. RACK MOUNTING KITS

6-10. Introduction

6-11. Three rack mounting kits are available for mounting the 8600A in a standard 19-inch equipment rack. The kits, listed in Table 6-1, provide the option of either offset mounting (left/right), center mounting or side-by-side mounting.

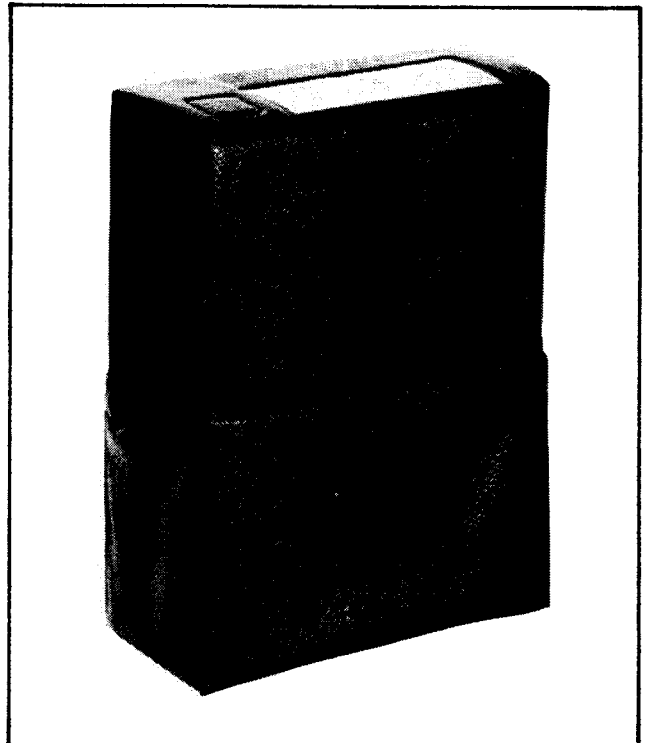


Figure 6-1. MODEL C80 CARRYING CASE



Figure 6-2. MODEL C86 CARRYING CASE

6-12. Installation Procedure

6-13. Installation instructions for each of the rack mounting kits is given in the following paragraphs. Use the procedure which corresponds to the model number of the kit being installed.

6-14. OFFSET AND CENTER MOUNTING KITS (M00-200-611 and M00-200-612)

- a. Remove 8600A carrying handle by removing the handle disc decals and the handle mounting screws.
- b. Remove screw from rear of case and separate the case from the 8600A.
- c. Install the side mounting brackets, as shown in Figure 6-3, and secure them to the mounting panel using the nuts provided.
- d. Insert the front of the 8600A case through the opening on the back side of the mounting panel.
- e. Install the handle mounting screws through the side brackets into the handle mounting bosses. Don't over tighten these screws.
- f. Slide the 8600A through the mounting panel and into the case. Install and tighten the retaining screw at the rear of the case.

6-15. SIDE-BY-SIDE MOUNTING KIT (M00-200-613)

- a. Remove the carrying handles from both 8600A's by removing the handle disc decals and the handle mounting screws.
- b. Remove the retaining screw from the rear of the cases and separate the instruments from their cases.
- c. Install the center mounting bracket, as shown in Figure 6-4, and secure it to the mounting panel using the nuts provided.
- d. Install the clamp screw in the center mounting bracket using the nuts and washers provided.
- e. Insert the front of the 8600A cases through the openings on the back side of the mounting panel. Make sure the case's handle mounting bosses are inserted into the clamp hole of the center mounting bracket
- f. Tighten the clamp screw.
- g. Install the side mounting brackets and secure them to the front panel using the nuts provided.
- h. Install the handle mounting screws through the side brackets into the handle mounting bosses. Don't over tighten these screws.

Slide the 8600A's through the mounting panel and into their cases. Install and tighten the retaining screw at the rear of both cases.

Table 6-1. RACK MOUNTING KITS

MOUNTING STYLE	MODEL NUMBER
Offset	M00-200-611
Center	M00-200-612
Side-By-Side	M00-200-613

6-16. DELUXE TEST LEAD KIT (A80)

6-17. The deluxe test lead kit, shown in Figure 6-5, contains two test leads with probes (red and black), and five pairs of universal probe tips. The probe tips include: alligator clips, test prod tips, pin tips, banana plug tips, and binding post lugs. A convenient plastic pouch is provided for storing the contents of the test lead kit.

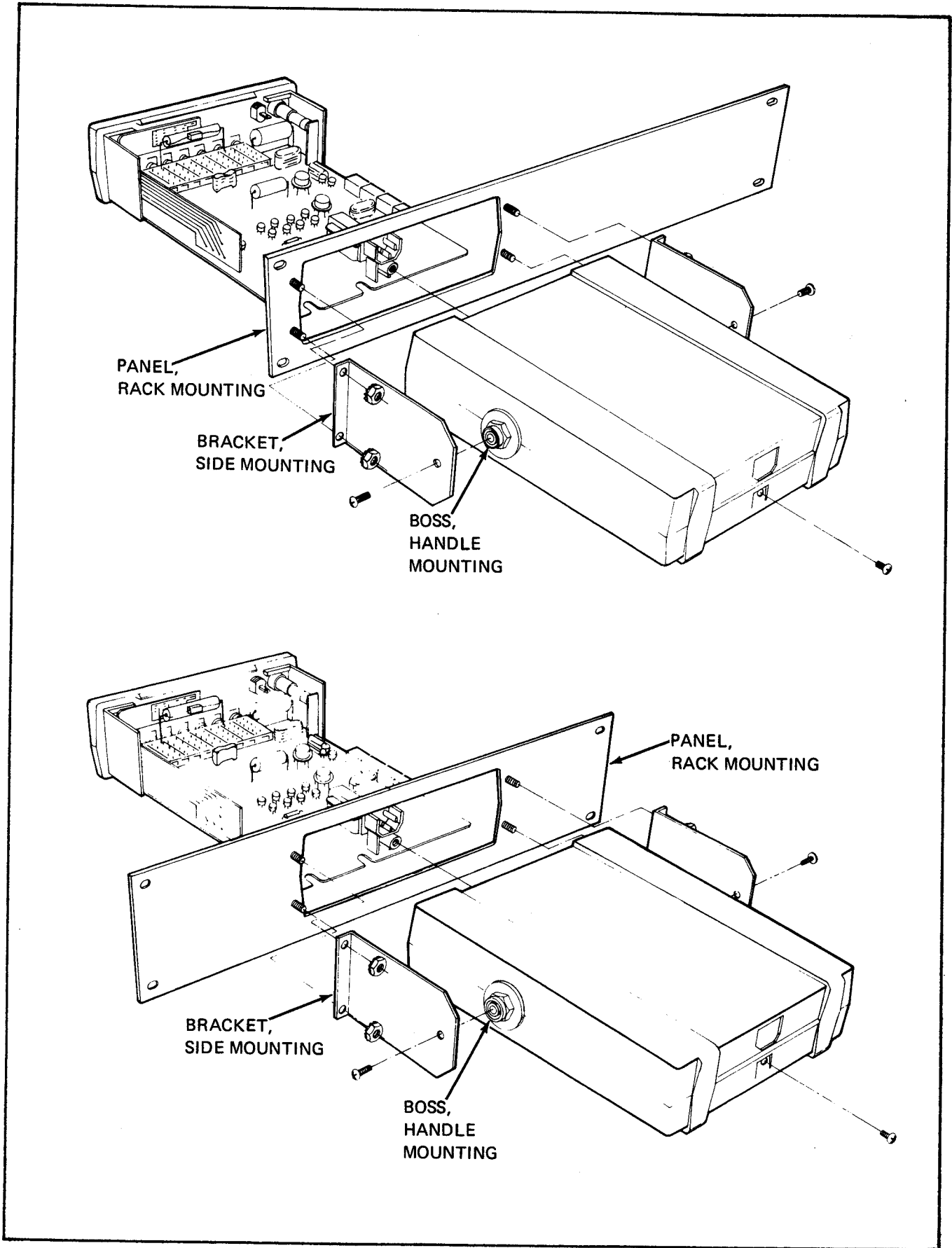


Figure 6-3. RACK MOUNTING KITS, OFFSET AND CENTER MOUNTING

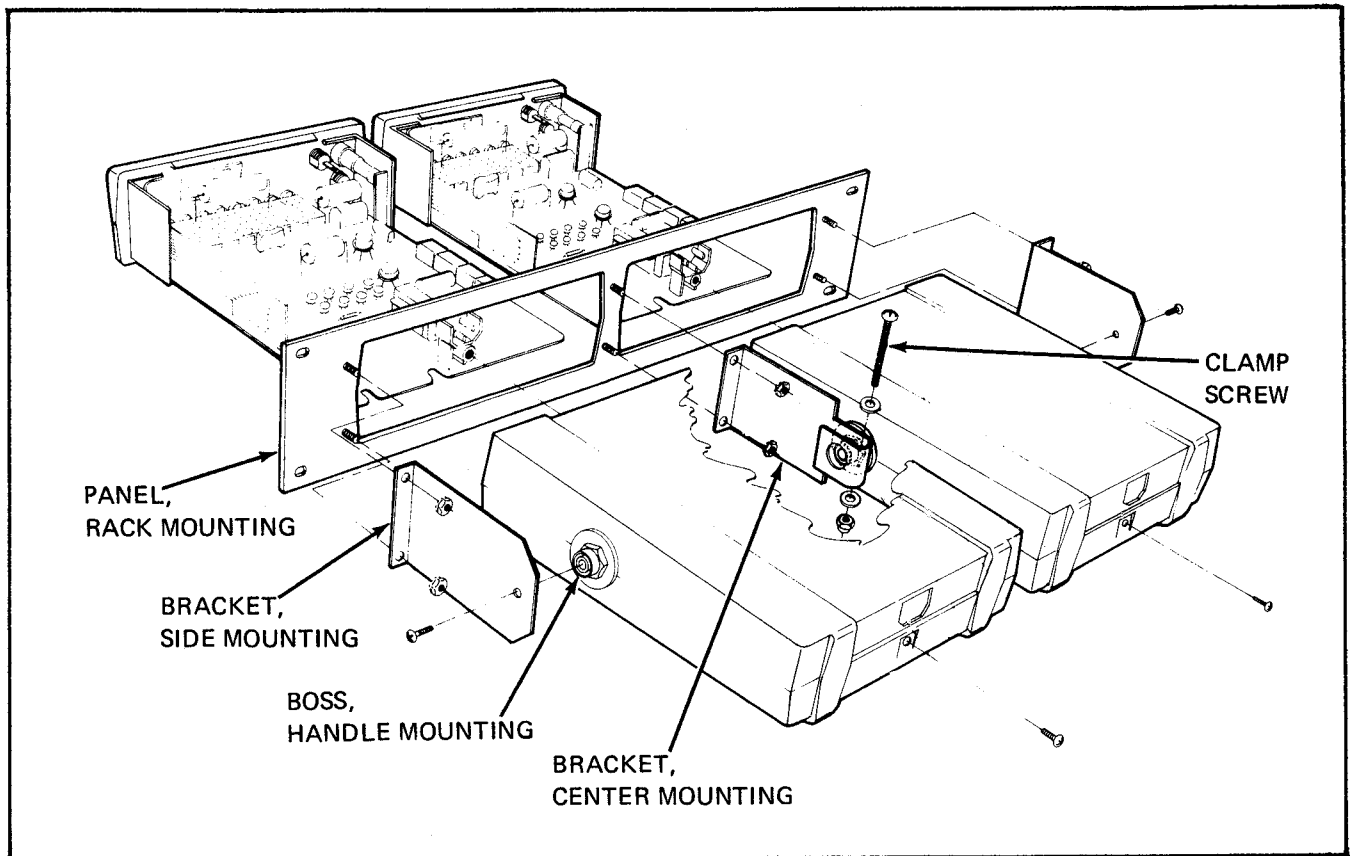


Figure 6-4. RACK MOUNTING KIT, SIDE-BY-SIDE MOUNTING



Figure 6-5. DELUXE TEST LEAD KIT (A80)

6-18. CURRENT PROBE, CLAMP-ON (80I-600)

6-19. Introduction

6-20. The Model 80I-600, as shown in Figure 6-6, is a clamp-on current probe which is used to extend the current measurement capabilities of the 8600A. The probe is designed to measure currents of 2 to 600 amperes at frequencies of up to 400 Hz with $\pm 3\%$ accuracy. The clamp-

on feature allows current to be measured without breaking the circuit under test.

6-21. Operation

6-22. Use the following procedure for operating the 8600A with the 80I-600 probe:

- a. Plug the 80I-600 dual-banana plug into the MA and COMMON INPUT terminals on the 8600A.

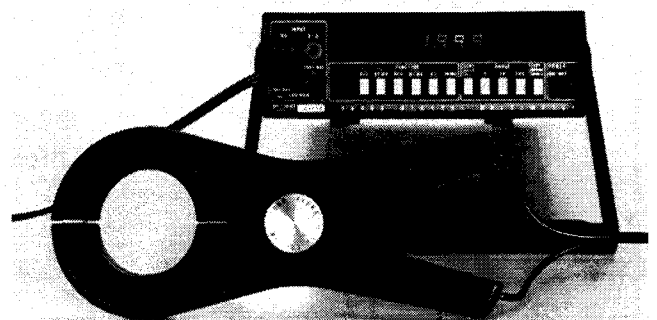


Figure 6-6. AC CURRENT PROBE, CLAMP-ON (80I-600)

- b. Depress the AC MA pushbutton (FUNCTION)
- c. Select the desired current range in accordance with Table 6-2.
- d. Clamp probe around current carrying conductor to be measured.
- e. Observe ac current reading in amperes on the 8600A readout.

NOTE

Clamping the probe around more than one current carrying conductor at a time produces a reading that is the vector sum of the currents in the conductors.

Table 6-2. 8600A RANGES FOR CURRENT PROBE (801-600)

RANGE SELECTED	CURRENT RANGE WITH 801-600 PROBE
2000 MA	200A to 600A
200	20A to 200A
20	2A to 20A

6-23. HIGH VOLTAGE PROBE (80K 40)

6-24. Introduction

6-25. The Model 80K40 High Voltage Probe as shown in Figure 6-7, provides the 1000X attenuation necessary to extend the dc voltage measuring capabilities of the 8600A up to 40 kV dc. A schematic of the 80K40 probe is shown in Figure 6-8.

6-26. Specifications

Overall Accuracy:	20kV to 30kV $\pm 2\%$ (Calibrated 1% at 25kV)
Upper Limit:	Changes linear from 2% at 30kV to 4% at 40kV
Lower Limit:	Changes linear from 2% at 20kV to 4% at 1kV
Voltage Range:	1kV to 40kV
Input Resistance:	1000M Ω
Division Ratio:	1000:1

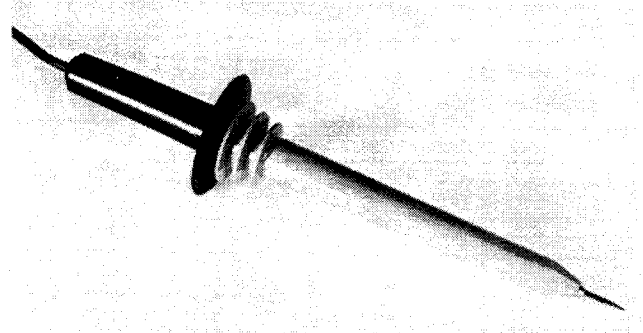


Figure 6-7. HIGH VOLTAGE PROBE (80K-40)

6-27. Operation

- 6-28. Use the following procedure for operating the 8600A with the 80K-40 probe:
- a. Plug the 80K-40 dual-banana plug into the V- Ω and LO INPUT terminals on the 8600A.
 - b. Depress the DCV pushbutton (FUNCTION)
 - c. Select the desired voltage range in accordance with Table 6-3.
 - d. Connect the common probe lead to a suitable ground and touch the probe tip to the circuit point to be measured.
 - e. Observe dc voltage reading displayed in kilovolts on the 8600A readout.

CAUTION

Before touching probe tip to a high voltage source, always connected probe common lead to circuit common. Removal of the probe common connection during a measurement may result in damage to the 8600A.

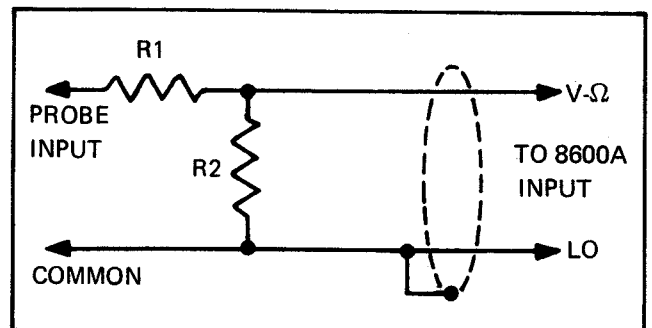


Figure 6-8. HIGH VOLTAGE PROBE, SCHEMATIC

Table 6-3. 8600A RANGES FOR DC HV PROBE (80K-40)

RANGE SELECTED	VOLTAGE RANGE WITH 80K-40 PROBE
200	20 to 40 kV
20	2 to 20 kV
2	1 to 2 kV

6-29. HIGH FREQUENCY PROBE (80RF-1)

6-30. Introduction

6-31. The Model 80RF-1 High Frequency Probe, Figure 6-9, extends the frequency range of the 8600A to include 100 kHz to 500 MHz for ac voltage measurements from 0.25 to 30V rms. The 80RF-1 operates in conjunction with the dc voltage ranges, and is connected to the 8600A using a shielded dual-banana plug and an adapter.

6-32. Specifications

Voltage:	0.25V to 30V	
Response:	Responds to peak value of input. Calibrated to read rms value of a sine wave input.	
AC to DC Transfer Accuracy:	Loaded with 10 megohms $\pm 10\%$.	
	100 kHz– 100 MHz	100 MHz– 500 MHz
+10°C to +30°C	+5%	+7%
–10°C to +40°C	+7%	+15%
$< \pm 3$ db at 10 kHz and 700 MHz		
Input Impedance:	4 megohms shunted by 2 ± 0.5 pf	
Maximum Input:	30 volts rms ac, 200 volts dc	
Cable Connections:	Shielded dual banana plug fits all standard $\frac{3}{4}$ -inch dual banana connectors.	
Cable Length:	4 ft. (121.9 cm) minimum	
Weight:	3½ oz. net	
Accessories:	Ground lead, straight tip, hook tip, high frequency adapter	

6-33. Operating Notes

6-34. The straight and the hooked tips supplied with the probe are useful for making voltage measurements up to 100 MHz. For measurements above 100 MHz use the high frequency adapter tip with mating connector and 50 ohm terminations.

6-35. The maximum input to the probe is 30V rms or 200V dc. These voltage limits may be used in combination so that the ac component of an ac signal superimposed on dc level can be measured.

CAUTION

Changing the dc level of the input signal by more than 200 volts will damage the probe.

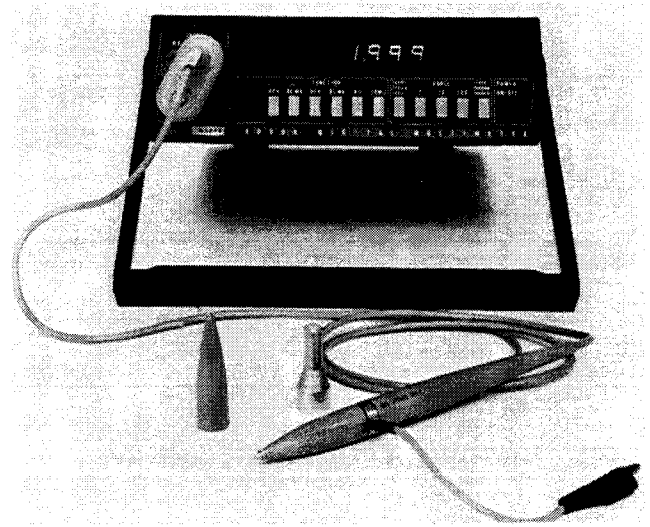


Figure 6-9. 80RF-1, HIGH FREQUENCY PROBE

6-36. Operation

6-37. Use the following procedure for operating the 8600A with the 80RF-1 probe:

- Connect the 80RF-1 shielded dual-banana plug to the 8600A V- Ω and LO INPUT terminals.
- Attach the desired probe tip to the probe body.
- Depress the DCV pushbutton (FUNCTION)
- Select the 20, 200, or 1200V range.

NOTE

The probe loading error caused by the 1000M Ω input impedance on the 8600A 200 mV and 2V ranges can be corrected by placing a 10M Ω $\pm 5\%$ resistor across the dual-banana plug terminals.

- e. Connect the probe's ground lead to a suitable ground when using the straight or hooked probe tip. The ground clip is not required when using the high frequency adapter with an appropriate 50 ohm termination.
- f. Touch the probe tip to the circuit point to be measured.
- g. Observe the voltage reading displayed in volts rms on the 8600A readout.

6-38. Theory of Operation

6-39. A schematic diagram of the 80RF-1 High Frequency probe is given in Figure 6-10. Capacitor C1 is used

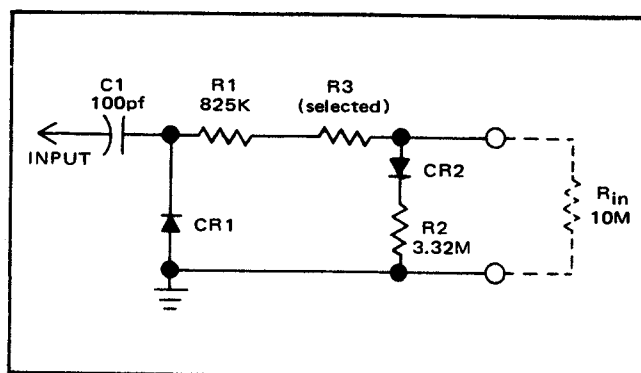


Figure 6-10. 80RF-1 SCHEMATIC

as a dc blocking capacitor, diode CR1 is used as a detector, and resistors R1, R2, R3 and R_{in} form a divider network. During the negative half cycle of the ac input voltage, C1 charges through CR1 to the negative peak value of the input signal. This negative charge path provides the zero reference for the dc output signal. During the positive half cycle of the input signal the charge on C1 is added to the peak value of the positive input to produce a positive peak-peak voltage at the junction of C1 and CR1. The divider network scales this voltage to provide a dc output voltage which is equal to the rms value of the input signal.

6-40. Diode CR2 compensates for the non-linearity of the detector, and R3 is a selected part having a value of 50 k Ω to 100 k Ω .

6-41. Maintenance

6-42. PERFORMANCE TEST

6-43. The low and high frequency tests given below are used to verify the ac-to-dc transfer accuracy of the 80RF-1 High Frequency Probe.

6-44. LOW FREQUENCY RESPONSE

6-45. Connect equipment as shown in Figure 6-11, and perform the following steps.

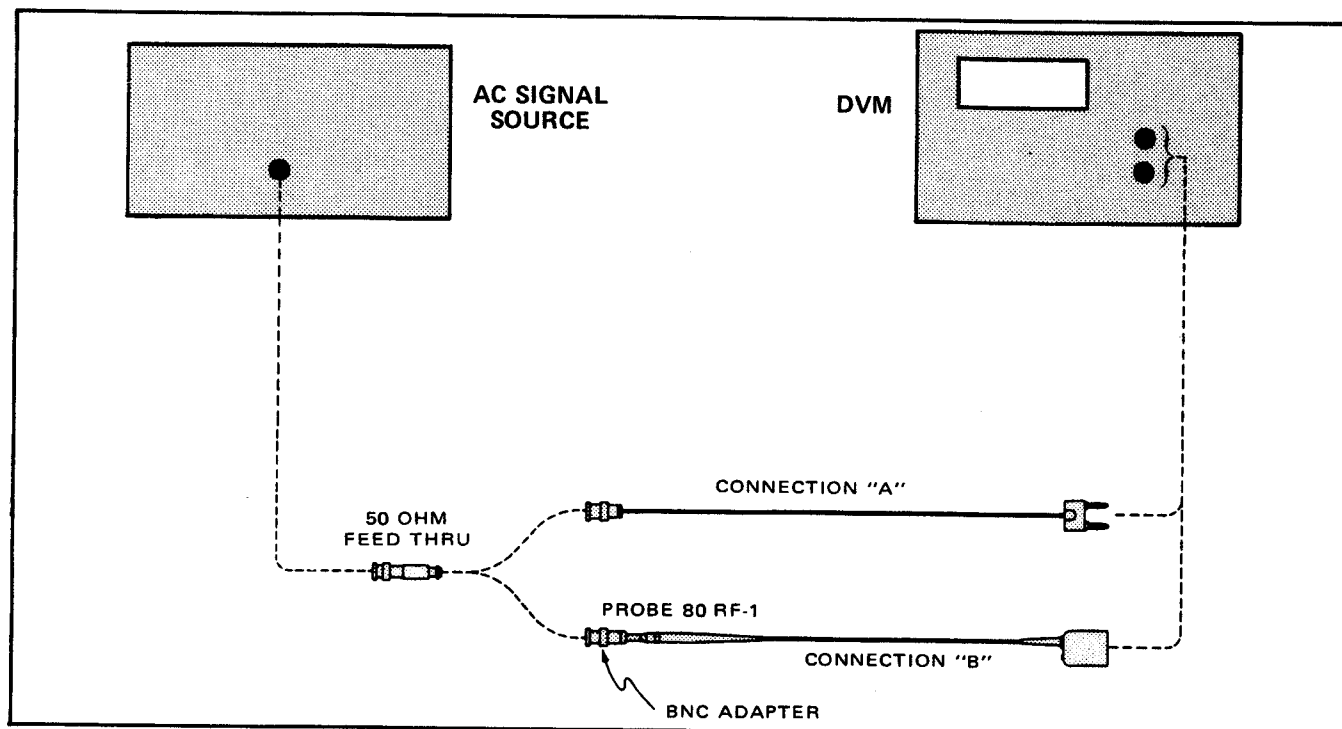


Figure 6-11. LOW FREQUENCY RESPONSE CHECK

- a. With equipment as shown in connection "A" adjust the ac signal source for an output of 3.000V rms at 100 kHz as measured on the DVM.
- b. In connection "B" with the DVM set to measure V dc, observe a probe output of 3.15 to 2.85V dc.
- c. Placing cables back in connection "A", decrease the ac signal source by 10 db (0.95V rms).
- d. Moving back to connection "B", observe a voltmeter indication of between 1.00 and 0.90V dc (10 db down from 3.0V dc).
- e. In connection "A", decrease the ac signal source an additional 10 db (to 0.3V rms) as indicated by the voltmeter in its ac function.
- f. Back to "B", observe a voltmeter reading of .315 to .285V dc.
- g. Return the ac signal source back to 3.000V rms.
- h. Repeat steps a through g with frequencies of 500 kHz, 1 MHz, and 10 MHz.

6-46. HIGH FREQUENCY RESPONSE

6-47. Connect equipment to the 80RF-1 probe as shown in Figure 6-12, and perform the following steps:

- a. Set the ac signal source to 100 MHz with an output level of 10 milliwatts as indicated on the power meter. Ensure that the ac signal source has stabilized at the 10 milliwatt output.
- b. Observe that the voltmeter indication is between 0.757 and 0.657V dc, (0.707V dc corresponds to 10 milliwatts into 50 ohms.)
- c. Repeat the above for frequencies of 200 MHz, 300 MHz, 400 MHz, and 480 MHz.

6-48. CALIBRATION

6-49. Should the 80RF-1 require recalibration, perform the following steps:

- a. Perform steps a and b in paragraph 6-44, with a frequency of 1 MHz.
- b. Observe the dc voltmeter; a reading below 3V dc calls for a decrease in the value of R3, a reading above 3V dc calls for an increase in R3. Resistor R3 should be a 1/8W metal film type. In a probe that is working properly, a 30 k Ω change in R3 will produce about a 1% deviation in the reading.

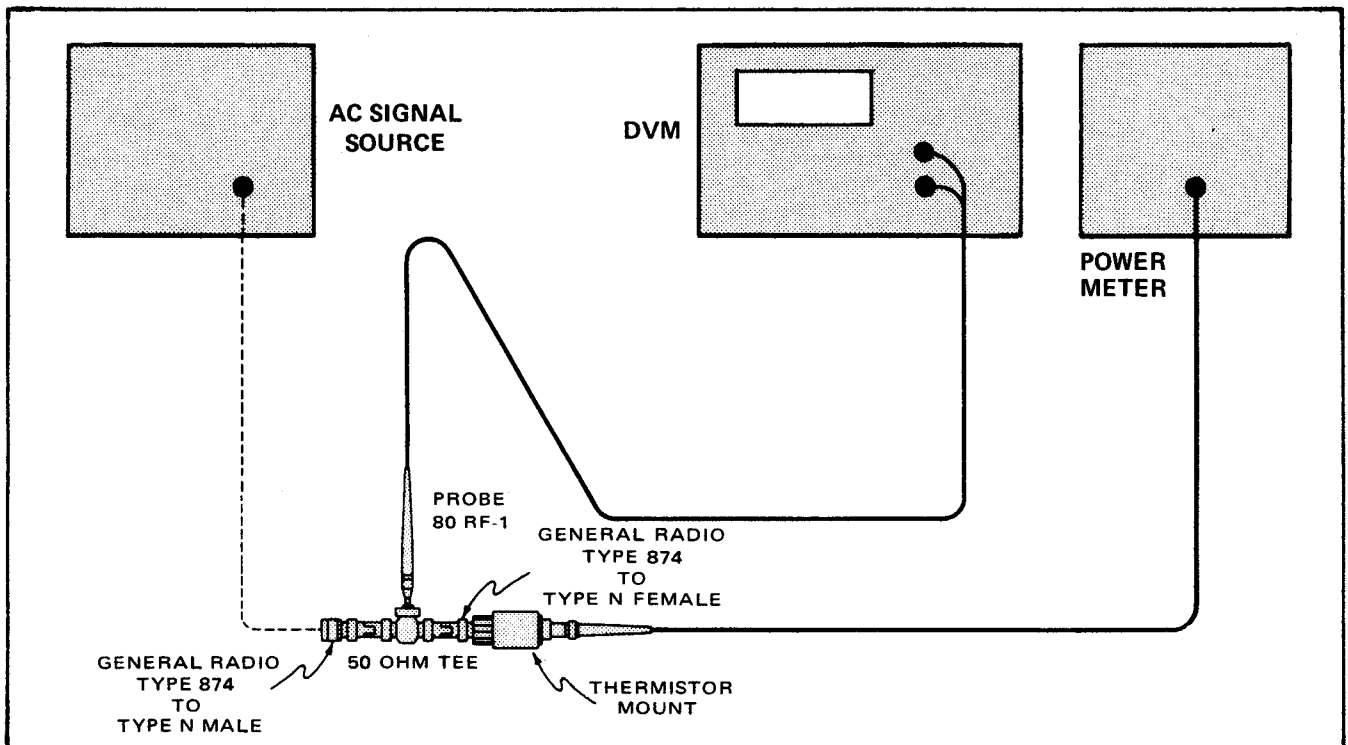


Figure 6-12. HIGH FREQUENCY RESPONSE CHECK

6-50. HIGH FREQUENCY PROBE (81RF)

6-51. Introduction

6-52. The Model 81RF High Frequency Probe, Figure 6-13, extends the frequency range of the 8600A to include 100 kHz to 100 MHz for ac voltage measurements from 0.25 to 30V rms. The 81RF operates in conjunction with the dc voltage range, and is connected to the 8600A using a shielded dual-banana plug and an adapter.

6-53. Specifications

Transfer Accuracy:	± 1 dB from 100 kHz to 100 MHz
Voltage Range:	.25V rms to 30V rms (operated into a 10 M Ω input resistance voltmeter). Peak responding calibrated to read rms value of a sinewave.
Maximum DC Input:	350V
Input Impedance:	12M Ω shunted by ≈ 15 pf maximum

6-54. Operation

6-55. Use the following procedure for operating the 8600A with the 81RF probe:

- Connect the 81RF shielded dual-banana plug to the 8600A V- Ω and LO INPUT terminals.
- Attach the desired probe tip to the probe body.
- Depress the DCV pushbutton (FUNCTION)
- Select the desired voltage range.
- Connect the probe's ground lead to a suitable ground.
- Touch the probe tip to the circuit point to be measured.
- Observe the voltage reading displayed in volts rms on the 8600A readout.

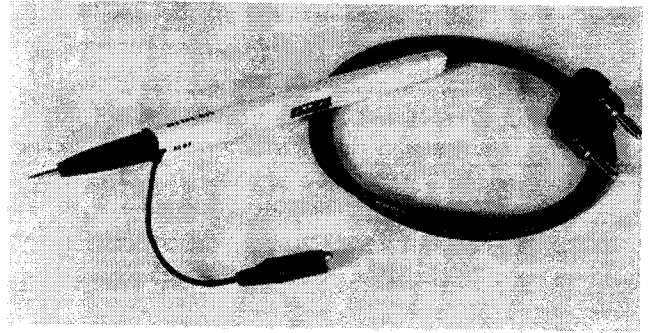


Figure 6-13. HIGH FREQUENCY PROBE (81RF)

6-56. TEMPERATURE PROBE (80T-150)

6-57. The Model 80T-150 Temperature Probe is a self-contained temperature-to-voltage converter. It is designed to provide a direct temperature reading on the display of any high impedance voltmeter (1M Ω) capable of 1 mV resolution, and at least 300 mV full-scale readout. The probe can be configured to provide either one of two temperature displays: -50 to $+150^{\circ}\text{C}$ or -58 to $+300^{\circ}\text{F}$.

6-58. Operating power for the probe is provided by an internal lithium battery. Typically, the battery will provide up to 1000 hours of continuous operation before replacement is necessary. An on/off switch is provided to conserve the battery when not in use.

6-59. BATTERY PACK, OPTION -01

6-60. Introduction

6-61. The Battery Pack provides the 8600A with the capability of operating as a portable (battery-operated) instrument. Four nickle cadmium (Ni-cad) batteries allow, typically 8 hours of portable operation before recharging is necessary. The batteries are recharged by connecting the 8600A to the ac power line. If desired, the 8600A can be operated during the charging process, however, the charging time will be increased.

6-62. Specification

6-63. The specifications for the Battery Pack are given in Section 1 of this manual.

6-64. Operation

CAUTION!

Damage may result if alkaline, zinc-carbon, or mercury batteries are charged in the 8600A.

6-65. With a fully charged battery pack, the 8600A can be disconnected from line power and operated for typically 8 hours, as a portable instrument. When all the display decimal points flash on and off, the battery pack should be recharged by switching the POWER switch to OFF and connecting the instrument to the ac power line. The total charge time is approximately 16 hours. If desired, the 8600A can be operated during the charging process, however, the charge time will be extended to approximately 43 hours.

NOTE

Battery manufacturers recommend that Ni-cad batteries be recharged at least every 90 days. Storage temperatures below +25°C are recommended.

6-66. Theory of Operation

6-67. The 8600A equipped with the battery pack option (-01) uses the power transformer configuration shown in Figure 7-2 and the battery power supply pcb shown in Figure 7-6. With the POWER switch in the ON position, the batteries are connected to the input of the battery power supply pcb, a dc-to-dc converter.

6-68. The +5 volts from the battery is applied to the primary windings of T201, causing transistors Q201 and Q202 to alternately conduct. The alternating current in the primary windings is stepped up by the secondary winding and applied to a bridge rectifier consisting of CR203 through CR206. The two halves of the rectifier output are applied to two voltage regulators, U202 and U203. The resulting +15V and -15V power supply voltages provide the operating power for the instrument.

6-69. Maintenance

6-70. INPUT POWER

6-71. The 8600A-01, in addition to battery operation, is capable of operating from either 100, 115, or 230V ac, 50 or 60 Hz line power. Before connecting the instrument to line power, check and, if necessary, use the following procedure to prepare the unit for operation at the local line voltage:

- a. Remove the phillips screw from the rear of the instrument.
- b. Remove the case from the unit by pulling it straight back from the front cover.

c. Locate the Battery Power Supply PCB Assembly (See Figure 5-1) and determine the size of the large capacitor C201 on the pcb (See Figure 5-5). The relationship of this capacitor to line power is as follows:

1. 5.0uF - 115V ac 60 Hz
2. 6.6uF - 100V ac 50 Hz
3. 2.8uF - 230V ac 50 Hz

d. Install the appropriate capacitor. The capacitor specifications and John Fluke part numbers are given in the Lists of Replaceable Parts, Section 5. (Battery Power Supply PCB Assembly).

e. Install the unit in its case and insert the phillips screw.

6-72. CHARGING NI-CAD BATTERIES

6-73. With regard to the charging of nickel-cadmium batteries, there are some phenomena which should be considered. For instance, charging Ni-Cad batteries with cell case temperatures above 25°C will cause the cell's charge capacity to decrease. The decrease in capacity is linear from 100% of rated capacity at 25°C to only 60% of rated capacity at 50°C, and as low as 45% at 60°C. Cell case temperatures typically run from 5°C to 10°C above ambient temperature during charging due to heat dissipated by the charging circuit. Due to the enclosed nature of the light-weight case on the 8600A, the temperature inside the case typically runs an additional 10° to 15°C above ambient temperature. For most complete charging and longest battery life, the 8600A-01 should be charged at less than 23°C ambient. Cell charge times are also affected by low temperatures. Charging the batteries at less than 5°C will reduce charge storage capacity and reduce battery life. The battery manufacturer recommends allowing the instrument to warm up to room temperature before charging the unit.

6-74. Charge capacity may also be affected by a cell's charging-discharging routine, due to a memory-type phenomenon. For instance, if a Ni-Cad battery pack is used in a daily routine where it is allowed to discharge by only 30% before being fully recharged again, it will eventually become a battery pack capable of delivering only 30% of its rated capacity. To return such a battery pack to its rated capacity, connect an external load which will discharge the battery completely at a rate equal to its capacity divided by 20. For example, a pack of four series-connected 1.2-volt cells having individual capacity ratings of 3.5 ampere hours should be discharged at a rate of $3.5A \div 20 = .175A$. This requires a load resistor of $4.8V \div .175A = 27.5$ ohms (approximate) with a

power rating of at least $(4.8V)(.175A) = .85W$. (A 2-watt carbon composition resistor is suitable.)

6-75. Allow the battery pack to discharge for 30 hours, then charge the battery pack at twice the discharge rate for 20 hours. (In the example, the charging rate would be 0.35 amperes at 4.8 volts.) When charging is complete, discharge the pack at the capacity-divided-by-20 rate for 30 hours, then recharge at twice the discharge rate for a period of 20 hours. The battery pack should now be restored to its rated capacity.

6-76. BATTERY REPLACEMENT

6-77. Use the following procedure for removing and replacing batteries:

CAUTION!

Do not attempt to charge alkaline, zinc-carbon or mercury batteries in the 8600A.

- a. Disconnect line cord. Remove retaining screw at rear of instrument case, and remove instrument from case.
- b. On the underside of the pcb, remove the two threaded bolts securing the battery holders.
- c. Remove the holder tops and batteries.
- d. Replace the batteries with 1.2 volt nickel-cadmium batteries (JF Part No. 346924). Install the batteries in the direction indicated by the polarity markings on the battery holder.

6-78. FUSE REPLACEMENT

6-79. The input power fuse F1 is located on the interior of the instrument near the power transformer. If replacement is necessary, use an MDL 1/8A (slo-blo) for battery powered instruments.

CAUTION!

Line potential exists on the fuseholder whenever the instrument is plugged into the line.

6-80. DATA OUTPUT UNIT (OPTION -02)

6-81. Introduction

6-82. The Data Output Unit (DOU) provides digital measurement information to a rear panel output connector for use by remote display instruments or data printers. The output data is in parallel bcd format and is compatible with the Fluke Model 2010A Digital Printer.

6-83. Specifications

6-84. The specifications for the DOU are presented in Section 1 of this manual.

6-85. Operation

6-86. DOU DATA IDENTIFICATION

6-87. The data available at the rear panel DOU connector is listed in Table 6-4. The connector pin assignment and logic level requirement for each signal is provided.

6-88. DATA UPDATE

6-89. Refer to figure 8-6 and the timing diagram (figure 6-14) for the following discussion. The DOU output can be updated by an external command (ARM ENABLE, ARM INPUT) or allowed to update automatically (FREE RUN) at the end of each new instrument measurement. A logic level 1 (+4.75 to +5.25V) applied to ARM ENABLE (pin B) and a logic level 0 applied to FREE RUN will prevent acquisition of new data by the DOU. A positive going trigger applied to ARM INPUT (pin C) will enable the DOU to acquire data. New data will start to load into the DOU after the next measurement is complete. BZ (from the instrument to the DOU) occurs synchronously with the second STO signal after a measurement is complete and lasts for one strobe cycle. BZ is presented to U10 as a data input. ST5 clocks the data into U10. As soon as data appears in U10, RG is applied through U11 and the isolation circuit to U4, U3, U2, and U1. At this time the busy flags are applied to the DOU output signifying that data is being changed. U10 enables the data on W to be serially loaded into the bottom of U4 during the first strobe cycle. When ST5 occurs again, the data in U10 is shifted to enable the data on X to be loaded into U4. Four strobe cycles are required to load the new data. When the fifth ST5 signal occurs, U10 is emptied of data and all its outputs are 0. RG is then inhibited by U11 and the clocking of data ceases. The busy flags are cleared from the DOU output and the data can be read. ARM INPUT may go to 0 at any time in the cycle but it must go to 0 before a data update can be externally commanded. If desired the DOU will automatically update at the end of each instrument measurement. If FREE RUN is allowed to be high, the DOU will automatically update the data after each measurement.

6-90. BUSY FLAG

6-91. The updating period of the DOU is signified by the BUSY (pin 2) and BUSY (pin 4) outputs from the DOU. During this period the data on the output connector pins will be changing to reflect the updated input. Either the positive true BUSY or negative true BUSY flag can be used to inhibit the data recording instrument during this time period.

Table 6-4. DOU DATA IDENTIFICATION

DOU DATA NAME	DOU PIN NO.		DOU DATA NAME	REMARKS																																												
+5V	1	A	LOGIC RETURN	<table border="1"> <tr> <th colspan="4">BCD BIT WEIGHT</th> </tr> <tr> <td>W</td> <td>X</td> <td>Y</td> <td>Z</td> </tr> <tr> <td>8</td> <td>4</td> <td>2</td> <td>1</td> </tr> </table> <table border="1"> <tr> <th>RANGE</th> <th colspan="3">CODE</th> </tr> <tr> <td></td> <th>a</th> <th>b</th> <th>c</th> </tr> <tr> <td>200Ω</td> <td>0</td> <td>0</td> <td>1</td> </tr> <tr> <td>2K</td> <td>0</td> <td>1</td> <td>0</td> </tr> <tr> <td>20K</td> <td>0</td> <td>1</td> <td>1</td> </tr> <tr> <td>200K</td> <td>1</td> <td>0</td> <td>0</td> </tr> <tr> <td>2000K</td> <td>1</td> <td>0</td> <td>1</td> </tr> <tr> <td>20MΩ</td> <td>1</td> <td>1</td> <td>0</td> </tr> </table>	BCD BIT WEIGHT				W	X	Y	Z	8	4	2	1	RANGE	CODE				a	b	c	200Ω	0	0	1	2K	0	1	0	20K	0	1	1	200K	1	0	0	2000K	1	0	1	20MΩ	1	1	0
BCD BIT WEIGHT																																																
W	X	Y	Z																																													
8	4	2	1																																													
RANGE	CODE																																															
	a	b	c																																													
200Ω	0	0	1																																													
2K	0	1	0																																													
20K	0	1	1																																													
200K	1	0	0																																													
2000K	1	0	1																																													
20MΩ	1	1	0																																													
BUSY FLAG	2	B	ARM ENABLE																																													
POL FLAG	3	C	ARM INPUT																																													
BUSY FLAG	4	D	FREE RUN																																													
(8800A) POL FLAG	5	E	NOT USED																																													
OVERLOAD Q	6	F	a RANGE CODE																																													
RANGE CODE b	7	H	c RANGE CODE																																													
W6	8	J	X6 4 BITS																																													
Y6	9	K	Z6 LSD (8800A)																																													
W5	10	L	X5 4 BITS																																													
Y5	11	M	Z5 LSD (8600A)																																													
W4	12	N	X4 4 BITS																																													
Y4	13	P	Z4 4SD																																													
W3	14	R	X3 4 BITS																																													
Y3	15	S	Z3 3SD																																													
W2	16	T	X2 4 BITS																																													
Y2	17	U	Z2 2SD																																													
(GND) W1	18	V	X1 (GND) 4 BITS MSD																																													
(GND) Y1	19	W	Z1 ONE ACTIVE																																													
	20	X	NOT USED																																													
	21	Y	NOT USED																																													
NOT USED	22	Z	NOT USED																																													

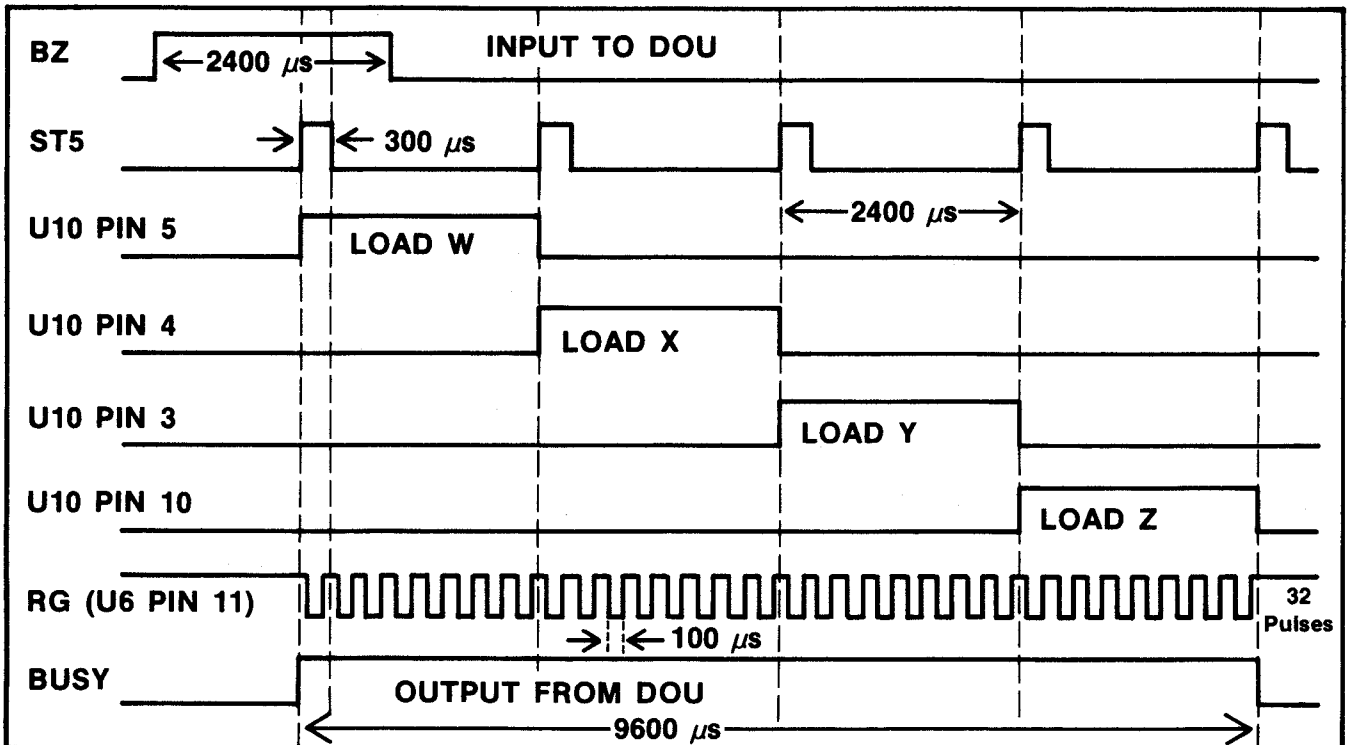


Figure 6-14 DOU TIMING DIAGRAM

6-92. POLARITY FLAG

6-93. The polarity of the dc voltage input to the A-D Converter determines which polarity sign will be presented at DOU output pin 3; pin 5 provides POL in Model 8800A only. A positive dc level at the converter will cause DOU output pin 3 to go to logic 1 and pin 5 (8800A) to go to logic 0. A negative converter input will cause the opposite logic level output from each pin.

6-94. OVERLOAD INDICATION

6-95. The DOU provides a single-bit output indication of a display overload condition. When the digit count exceeds the display capacity pin 6 of the DOU output connector changes from a logic 0 to logic 1.

6-96. RANGE CODE

6-97. The instrument range is presented in a three-bit bcd format at DOU output connector pins H, 7, and F. The output code representing each range is presented in Table 6-4.

6-98. DISPLAY DIGIT

6-99. The numerical value of each digit of the instrument display is presented in a four-bit bcd format at the DOU output connector. The connector pin assignments for each significant digit of the display are provided in Table 6-4. The most significant digit (DOU connector pins 18, 19, V, and W) needs only one active bit to represent the two display digits, 1 or 0. The three remaining bits are connected to ground in the DOU and, in most cases, the corresponding bits in the remote display unit must also be grounded to represent a logic 0.

6-100. DOU INTERFACE CABLE

6-101. A mating DOU connector is supplied with the DOU option for fabrication of a custom interface cable. Use the following procedure when constructing the interface cable.

- a. Assemble the following equipment:
 1. Teflon or vinyl insulated wire, 26 gauge, 31 pieces cut to the desired length.
 2. Sleeving, # 16 for vinyl wire, or # 18 for teflon.
 3. Rosin core solder, 60/40.
 4. Wire strippers.
 5. Soldering iron, pencil-type (45 W max.)
 6. DOU mating connector.
 7. Mating connector for interface instrument.
- b. Strip one-half inch of insulation from the DOU connector end of the wires and tin each wire.
- c. Cut 31 pieces of sleeving one-half inch long.
- d. Place one piece of sleeving over each prepared wire.
- e. Solder a connector contact pin to each wire.
- f. Slide the sleeving over each solder connection.
- g. Insert one connector contact pin into each DOU mating connector position corresponding to the desired data output.
- h. Prepare the mating connector for the interface instrument. Ensure that the data line connections, at the interface instrument mating connector, place the DOU data on the correct pins.

Section 7

General Information

7-1. This section of the manual contains generalized user information as well as supplemental information to the List of Replaceable Parts contained in Section 5.

Federal Supply Codes for Manufacturers

D9816 Westermann Wilhelm Augusta-Anlage Mannheim-Nackarau Gemany	01101 Wabash Inc (Formerly Wabash Magnetics) Wabash, IN	02697 Parker-Hannifin Corp. O-Ring Div Lexington, KY	04423 Telonic Berkley Inc. Laguna Beach, CA
S0482 Sony Corp. Tokyo, Japan	01121 Allen Bradley Co. Milwaukee, WI	02735 RCA-Solid State Div. Somerville, NJ	04713 Motorola Inc. Semiconductor Group Phoenix, AZ
S3774 Oshino Electric Lamp Works Tokoyo, Japan	01281 TRW Electronics & Defense Sector R F Devices Lawndale, CA	02768 ITW (IL Tool Works) Fastex Division Des Plaines, IL	04946 Standard Wire and Cable Rancho Dominguez, CA
0AD86 IN General El Paso, TX	01295 TX Instruments Inc. Semiconductor Group Dallas, TX	02799 Arco Electronics Inc. Chatsworth, CA	05173 General Radio NY,NY. Replaced by:
0AE89 Autosplice Inc. Woodside, NY	01526 Genicom Waynesboro, VA	03296 Nylon Molding Corp. Monrovia, CA	24655 Genrad,INC. Concord, MA
0BW21 Noritake Co. Inc. Burlington, MA	01537 Motorola Communications & Electronics Inc. Franklin Park, IL	03445 Lercon Electronics Inc Burbank, CA	05236 Jonathan Mfg. Co. Fullerton, CA
0ANF0 Topaz Semiconductor Inc San Jose, CA	01686 RCL Electronics/Shallcross Inc. Electro Components Div. Manchester, NH	03508 General Electric Co. Semiconductor Products & Batteries Auburn, NY	05245 Corcom Inc. Libertyville, IL
0DSM7 Conductive (Pkg) Containers Inc. Brookfield, WI	01884 Sprague Electric Co. (Now 56289)	03797 Genisco Technology Corp. Eltronics Div. Rancho Dominguez, CA	05276 ITT Pomona Electronics Div. Pomona, CA
0CLN7 Ernhart Fastening Group Shelton, CT	01961 Varian Associates Inc. Pulse Engineering Div. Convoy, CT	03877 Gilbert Engineering Co.Inc Incon Sub of Transiron Electronic Corp. Glendale, AZ	05277 Westinghouse Elec. Corp. Semiconductor Div. Youngwood, PA
0FB81 S-Mos Systems Inc. San Jose, CA	01963 Cherry Electrical Products Corp Waukegan, IL	03888 KDI Electronics Inc. Pyrofilm Div. Whippany, NJ	05347 Ultronix Inc Grand Junction, CO
0FFP1 Eveready LTD Ever Ready Special Battery Div. Dawley Telford Salop UK	02111 Spectrol Electronics Corp. City of Industry, CA	03911 Clairex Corp. Clairex Electronics Div. Mount Vernon, NY	05397 Union Carbide Corp. Materials Systems Div. Cleveland, OH
00199 Marcon Electronics Corp Keamy, NJ	02114 Ampcex Electronic Corp. Ferrox Cube Div. Saugerties, NY	03980 Muirhead Inc. Mountainside, NJ	05571 Sprague Electric Co. (Now 56289)
00213 Nytronics Comp. Group Inc. Darlington, NC	02131 General Instrument Corp. Government Systems Div. Westwood, MA	04009 Cooper Industries, Inc. Arrow Hart Div. Hartford, CT	05574 Viking Connectors Inc Sub of Criton Corp. Chatsworth, CA
00327 Welwyn International Inc. Westlake, OH	02395 Sonar Radio Corp. Hollywood, FL	04217 Essex International Inc. Wire & Cable Div. Anaheim, CA	05791 LYN-TRON Burbank, CA
00656 Aerovox Corp. New Bedford, MA	02533 Leigh Instruments Ltd. Frequency Control Div. Don Mills, Ontario, Canada	04221 Midland-Ross Corp. Midtex Div. N. Mankato, MN	05820 EG & G Wakefield Engineering Wakefield, MA
00686 Film Capacitors Inc. Passaic, NJ	02606 Fenwal Labs Division of Travenal Labs Morton Grove, IL	04222 AVX Corp. AVX Ceramics Div. Myrtle Beach, SC	05839 Advance Electrical Chicago, IL
00779 AMP, Inc. Harrisburg, Pennsylvania	02660 Bunker Ramo-Eltra Corp. Amphenol NA Div. Broadview, IL		05972 Loctite Corp. Newington, CT

Federal Supply Codes for Manufacturers (cont)

<p>06001 General Electric Co. Electric Capacitor Product Section Columbia, SC</p> <p>06141 Fairchild Weston Systems Inc. Data Systems Div. Sarasota, FL</p> <p>06192 La Deau Mfg. Co. Glendale, CA</p> <p>06229 Electrovert Inc. Eimsford, NY</p> <p>06383 Panduit Corp. Tinley Park, IL</p> <p>06473 Bunker Ramo Corp. Amphenol NA Div. SAMS Operation Chatsworth, CA</p> <p>06540 Mite Corp Amatom-Electrical Div</p> <p>06555 Beede Electrical Instrument Penacook, NH</p> <p>06665 Precision Monolithics Sub of Boums Inc. Santa Clara, CA</p> <p>06666 General Devices Co. Inc. INpolis, IN</p> <p>06739 Electron Corp. Littleton, CO</p> <p>06743 Gould Inc. Foil Div. Eastlake, OH</p> <p>06751 Components Inc. Sencor Div. Phoenix, AZ</p> <p>06776 Robinson Nugent Inc. New Albany, IN</p> <p>06915 Richco Plastic Co. Chicago, IL</p> <p>06961 Vemitron Corp. Piezo Electric Div. Bedford, OH</p> <p>06980 EIMAC (See Varian) San Carlos, CA</p>	<p>07047 Ross Milton Co., The Southampton, PA</p> <p>07138 Westinghouse Electric Corp. Industrial & Government Tube Div. Horseheads, NY</p> <p>07233 Benchmark Technology Inc. City of Industry, CA</p> <p>07239 Biddle Instruments Blue Bell, PA</p> <p>07256 Silicon Transistor Corp. Sub of BBF Inc. Chelmsford, MA</p> <p>07261 Avnet Corp. Culver City, CA</p> <p>07263 Fairchild Semiconductor North American Sales Ridgeview, CT</p> <p>07344 Bircher Co. Inc., The Rochester, NY</p> <p>07374 Optron Corp Woodbridge, CT</p> <p>07557 Campion Co. Inc. Philadelphia, PA</p> <p>07597 Bumdy Corp. Tape/Cable Div. Rochester, NY</p> <p>07716 TRW Inc. (Can use 11502) IRC Fixed Resistors/ Burlington Burlington, VT</p> <p>07792 Lerma Engineering Corp. Northampton, MA</p> <p>07810 Bock Corp. Madison, WI</p> <p>07910 Teledyne Semiconductor Mun. View, CA</p> <p>07933 Raytheon Co. Semiconductor Div. Mountain View, CA</p> <p>08FG6 Calmos Systems Inc. Kanata, Ont. Canada</p> <p>080A9 Dallas Semiconductor Dallas, TX</p>	<p>08111 MF Electronics New Rochelle, NY</p> <p>08235 Industro Transistor Corp. Long Island City, NY</p> <p>08261 Spectra-Strip An Eltra Co. Garden Grove, CA</p> <p>08445 Electri-Cord Mfg., Inc Westfield, PA</p> <p>08530 Reliance Mica Corp. Brooklyn, NY</p> <p>08718 ITT Cannon Electric Phoenix Div. Phoenix, AZ</p> <p>08806 General Electric Co. Minature Lamp Products Cleveland, OH</p> <p>08863 Nylomatic Fallsington, PA</p> <p>08988 Skottie Electronics Inc. Archbald, PA</p> <p>09021 Aircor Inc. Aircor Electronics Bradford, PA</p> <p>09023 Cornell-Dublier Electronics Fuquay-Varina, NC</p> <p>09214 General Electric Co. Semiconductor Products Dept. Auburn, NY</p> <p>09353 C and K Components Inc. Newton, MA</p> <p>09423 Scientific Components Inc. Santa Barbara, CA</p> <p>09922 Bumdy Corp. Norwalk, CT</p> <p>09969 Dale Electronics Inc. Yankton, SD</p> <p>09975 Burroughs Corp. Electronics Components Detroit, MI</p> <p>1A791 LFE Electronics Danvers, MA</p>	<p>1B715 (United Shoe & Nylock Corp) -Nylock Fastener Corp.- Paramus, NJ</p> <p>10059 Barker Engineering Corp. Kenilworth, NJ</p> <p>10389 IL Tool Works Inc. Licon Div. Chicago, IL</p> <p>11236 CTS Corp. Resistor Products Div. Berne, IN</p> <p>11237 CTS Corp of CA Electro Mechanical Div. Paso Robles, CA</p> <p>11295 ECM Motor Co. Schaumburg, IL</p> <p>11358 Columbia Broadcasting System CBS Electronic Div. Newburyport, MA</p> <p>11403 Vacuum Can Co. Best Coffee Maker Div. Chicago, IL</p> <p>11502 (can also use 35009) TRW Inc. TRW Resistive Products Div. Boone, NC</p> <p>11503 Keystone Columbia Inc. Freemont, IN</p> <p>11532 Teledyne Relays Teledyne Industries Inc. Hawthorne, CA</p> <p>11711 General Instrument Corp. Rectifier Div. Hicksville, NY</p> <p>11726 Qualidyne Corp. Santa Clara, CA</p> <p>12014 Chicago Rivet & Machine Co. Naperville, IL</p> <p>12020 Ovenaire Div. of Electronic Technologies Charlottesville, VA</p> <p>12038 Simco (Div of Ransburg Corp) Hatfield, PA</p> <p>12040 National Semiconductor Corp. Danbury, CT</p>
--	---	---	---

Federal Supply Codes for Manufacturers (cont)

12060 Diodes Inc. Northridge, CA	13050 Potter Co. Wesson, MS	14704 Crydom Controls (Division of Int Rectifier) El Segundo, CA	16473 Cambridge Scientific Industries Div. of Chemed Corp. Cambridge, MD
12136 PHC Industries Inc. Formerly Philadelphia Handle Co. Camden, NJ	13103 Thermalloy Co., Inc. Dallas, TX	14752 Electro Cube Inc. San Gabriel, CA	16733 Cablewave Systems Inc. North Haven, CT
12300 AMF Canada Ltd. Potter-Brumfield Guelph, Ontario, Canada	13327 Solitron Devices Inc. Tappan, NY	14936 General Instrument Corp. Discrete Semi Conductor Div. Hicksville, NY	16742 Paramount Plastics Fabricators Inc. Downey, CA
12323 Practical Automation Inc. Shelton, CT	13511 Bunker-Ramo Corp. Amphenol Cadre Div. Los Gatos, CA	14949 Trompeter Electronics Chatsworth, CA	16758 General Motors Corp. Delco Electronics Div. Kokomo, IN
12327 Freeway Corp. Cleveland, OH	13606 Sprague Electric Co. (Use 56289)	15412 Amtron Midlothian, IL	17069 Circuit Structures Lab Burbank, CA
12406 Elpac Electronics Inc. Santa Ana, CA	13689 SPS Technologies Inc. Hatfield, NJ	15542 Scientific Components Corp. Mini-Circuits Laboratory Div. Brooklyn, NY	17117 Electronic Molding Corp. Woonsocket, RI
12443 Budd Co.,The Plastics Products Div. Phoenixville, PA	13764 Micro Plastics Flippin, AZ	15636 Elec-Trol Inc. Saugus, CA	17338 High Pressure Eng. Co. Inc. OK City, OK
12581 Hitachi Metals International Ltd. Hitachi Magna-Lock Div. Big Rapids, MO	13919 Burr-Brown Research Corp. Tucson, AZ	15782 Bausch & Lomb Inc. Graphics & Control Div. Austin, TX	17504 Aluminum Filter Co. Carpinteria, CA
12615 US Terminals Inc. Cincinnati, OH	14099 Semtech Corp. Newbury Park, CA	15801 Fenwal Eletronics Inc. Div. of Kidde Inc. Framingham, MA	17545 Atlantic Semiconductors Inc. Asbury Park, NJ
12617 Hamlin Inc. LaKe Mills, WI	14140 McGray-Edison Co. Commercial Development Div. Manchester, NH	15818 Teledyne Inc. Co. Teledyne Semiconductor Div. Mountain View, CA	17745 Angstrom Precision, Inc. Hagerstown, MD
12673 Wesco Electrical Greenfield, MA	14189 Ortronics, Inc. Orlando, FL	15849 Usecu Inc. (Now 88245)	17856 Siliconix Inc. Santa Clara, CA
12697 Clarostat Mfg. Co. Inc. Dover, NH	14193 Cal-R-Inc. Santa Monica, CA	15898 International Business Machines Corp. Essex Junction, VT	18178 E G & Gvactee Inc. St. Louis, MO
12749 James Electronic Inc. Chicago, IL	14301 Anderson Electronics Hollidaysburg, PA	16068 International Diode Div. Harrison, NJ	18235 KRL/Bantry Components Inc. Manchester, NH
12856 MicroMetals Inc. Anaheim, CA	14329 Wells Electronics Inc. South Bend, IN	16162 MMI Southfield, MI	18310 Concord Electronics New York, NY
12881 Metex Corp. Edison, NJ	14482 Watkins-Johnson Co. Palo Alto, CA	16245 Conap Inc. Olean, NY	18324 Signetics Corp. Sacramento, CA
12895 Cleveland Electric Motor Co. Cleveland, OH	14552 Microsemi Corp. (Formerly Micro-Semiconductor) Santa Ana, CA	16258 Space-Lok Inc. Burbank, CA	18377 Palex Corp. Methuen, MA
12954 Microsemi Corp. Components Group Scottsdale, AZ	14604 Elmwood Sensors, Inc Pawtucket, RI	16352 Codi Corp. Linden, NJ	18520 Sharp Electronics Corp. Paramus, NJ
12969 Unitrode Corp. Lexington, MA	14655 Cornell-Dublier Electronics Div. of Federal Pacific Electric Co. Govt Cont Dept. Newark, NJ	16469 MCL Inc. LaGrange, IL	18542 Wabash Inc. Wabash Relay & Electronics Div. Wabash, IN

Federal Supply Codes for Manufacturers (cont)

18565 Chomerics Inc. Woburn, MA	2Y384 North American Philips Lighting Corp. Van Wert, OH	23732 Tracor Applied Sciences Inc. Rockville, MD	26402 Lumex Inc. Bayshore, NY
18612 Vishay Intertechnology Inc. Vishay Resistor Products Group Malvern, PA	20584 Enochs Mfg. Inc. INpolis, IN	23880 Stanford Applied Engineering Santa Clara, CA	26629 Frequency Sources Inc. Sources Div. Chelmsford, MA
18632 Norton-Chemplast Santa Monica, CA	20891 Cosar Corp. Dallas, TX	23936 William J. Purdy Co. Pamotor Div. Burlingame, CA	26806 American Zettler Inc. Irvine, CA
18677 Scanbe Mfg. Co. Div. of Zero Corp. El Monte, CA	21317 Electronics Applications Co. El Monte, CA	24347 Penn Engineering Co. S. El Monte, CA	27014 National Semiconductor Corp. Santa Clara, CA
18736 Voltronics Corp. East Hanover, NJ	21604 Buckeye Stamping Co. Columbus, OH	24355 Analog Devices Inc. Norwood, MA	27167 Coming Glass Works Coming Electronics Wilmington, NC
18786 Micro-Power Long Island City, NY	21845 Solitron Devices Inc. Semiconductor Group Rivera Beach, FL	24444 General Semiconductor Industries, Inc. Tempe, AZ	27264 Molex Inc. Lisle, IL
18927 GTE Products Corp. Precision Material Products Business Parts Div. Titusville, PA	21847 Aertech Now TRW Microwave Inc. Sunnyvale, CA	24546 Bradford Electronics Bradford, PA	27440 Industrial Screw Products Los Angeles, CA
19080 Robinson Electronics Inc. San Luis Obispo, CA	21962 Vectron Corp. Replaced by: S.W. Electronics	24618 Transcon Mfg. Now: D.J. Associates Inc.	27494 Staffall, Inc. Providence, RI
19112 Garry Corp. Langhorne, PA	22526 DuPont, El DeNemours & Co. Inc. DuPont Connector Systems Advanced Products Div. New Cumberland, PA	24655 Genrad Inc. (Replaced General Radio 05173) Concord, MA	27745 Associated Spring Bames Group Inc. Syracuse, NY
19315 Bendix Corp., The Navigation & Control Group Terboro, NJ	22626 Micro Semiconductor (Now 14552)	24759 Lenox-Fugle Electronics Inc. South Plainfield, NJ	27918 Component Parts Corp. Bellmore, NY
19451 Perine Machine Tool Corp. Kent, WA	22670 GM Nameplate Seattle, WA	24796 AMF Inc. Potter & Brumfield Div. San Juan Capistrano, CA	27956 Relcom (Now 14482)
19482 Delta Electronics Alexandria, VA	22767 ITT Semiconductors Palo Alto, CA	24931 Specialty Connector Co. Greenwood, IN	28175 Alpha Metals Chicago, IL
19613 MN Mining & Mfg. Co. Textool Products Dept. Electronic Product Div. Irving, TX	22784 Palmer Inc. Cleveland, OH	24995 ECS Grants Pass, OR	28198 Positronic Industries Springfield, MO
19647 Caddock Electronics Inc. Riverside, CA	23050 Product Comp. Corp. Mount Vernon, NY	25088 Siemen Corp. Isilen, NJ	28213 MN Mining & Mfg. Co. Consumer Products Div. 3M Center Saint Paul, MN
19701 Mepco/Centralab Inc. A N. American Philips Co. Mineral Wells, TX	23223 CTS Microelectronics Lafayette, NY	25099 Cascade Gasket Kent, WA	28309 Kaiser Minette, AL
2B178 Wire Products Cleveland, OH	23237 I.R.C., Inc. Microcircuits Division Philadelphia, PA	25403 Amperex Electronic Corp. Semiconductor & Micro-Circuit Div. Slatersville, RI	28425 Serv-O-Link Euless, TX
2K262 Boyd Corporation Portland, OR	23302 S.W. Electronics & Mfg. Corp. Cherry Hill, NJ	25435 Moldtronics, Inc Downers Grove, IL	28478 Deltrol Corporation Deltrol Controls Div. Milwaukee, WI
	23730 Mark Eyelet and Stamping Inc. Wolcott, CT	25706 Dabum Electronic & Cable Corp. Norwood, NJ	28480 Hewlett Packard Co. Corporate HQ Palo Alto, CA

Federal Supply Codes for Manufacturers (cont)

28484 Emerson Electric Co. Gearmaster Div. McHenry, IL	31433 Kemet Electronics Corp. Simpsonville, NC	33246 Epoxy Technology Inc. Billerica, MA	36701 Van Waters & Rogers Valley Field, Quebec, Canada
28520 Heyco Molded Products Kenilworth, NJ	31448 Army Safeguard Logistics Command Huntsville, AL	33292 Pioneer Sterilized Wiping Cloth Co. Portland, OR	37942 Mallory Capacitor Corp. Sub of Ernhart Industries INpolis, IN
28932 Lumax Industrials, Inc Altoona, PA	31471 Gould Inc Semiconductor Div Santa Clara, CA	33297 NEC Electronics USA Inc. Electronic Arrays Inc. Div. Mountain View, CA	39003 Maxim Industries Middleboro, MA
29083 Monsanto Co. Santa Clara, CA	31522 Metal Masters Inc. Baldwin, MS	33919 Nortek Inc. Cranston, RI	4F434 Plastic Sales Los Angeles, CA
29604 Stackpole Components Co. Raleigh, NC	31746 Cannon Electric Woodbury, TN	34114 Oak Industries Rancho Bernardo, CA	40402 Roderstein Electronics Inc. Statesville, NC
29907 Omega Engineering Inc. Stamford, CT	31827 Budwig Ramona, CA	34263 CTS Electronics Corp. Brownsville, TX	42498 National Radio Melrose, MA
3D536 Aimco Inc. Seattle, WA	31918 ITT-Schadow Eden Prairie, MN	34333 Silicon General Inc. Garden Grove, CA	43543 Nytronics Inc.(Now 53342)
30035 Jolo Industries Inc. Garden Grove, CA	32293 Intersil Cupertino, CA	34335 Advanced Micro Devices (AMD) Sunnyvale, CA	43744 Panasonic Industrial Co. San Antonio, TX
30045 Solid Power Corp. Farmingdale, NY	32539 Mura Corp. Westbury, Long Island, N.Y.	34359 MN Mining & Mfg. Co. Commercial Office Supply Div. Saint Paul, MN	43791 Datron Systems Wilkes Barre, PA
30146 Symbex Corp. Painesville, OH	32559 Bivar Santa Ana, CA	34371 Harris Corp. Harris Semiconductor Products Group Melbourne, FL	44655 Ohmite Mfg. Co. Skokie, IL
30148 AB Enterprise Inc. Ahoskie, NC	32719 Siltronics Santa Ana, CA	34576 Rockwell International Corp. Newport Beach, CA	47001 Lumberg Inc. Richmond, VA
30161 Aavid Engineering Inc. Laconia, NH	32767 Griffith Plastics Corp. Burlingame, CA	34641 Instrument Specialties Euless, TX	47379 ISOCOM Campbell, CA
30315 Itron Corp. San Diego, CA	32879 Advanced Mechanical Components Northridge, CA	34649 Intel Corp. Santa Clara, CA	49569 IDT (International Development & Trade) Dallas, TX
30323 IL Tool Works Inc. Chicago, IL	32897 Murata Erie North America Inc. Carlisle Operations Carlisle, Pennsylvania	34802 Electromotive Inc. Kenilworth, NJ	49671 RCA Corp. New York, NY
30800 General Instrument Corp. Capacitor Div. Hicksville, NY	32997 Boums Inc. Trimpot Div. Riverside, CA	34848 Hartwell Special Products Placentia, CA	49956 Raytheon Company Executive Offices Lexington, MA
30838 Fastec Chicago, ILL	33025 M/A ComOmni Spectra, Inc. (Replacing Omni Spectra) Microwave Subsystems Div. Tempe, AZ	35009 Renfrew Electric Co. Ltd. IRC Div. Toronto, Ontario, Canada	5D590 Mostek Corp. Replaced by: SGS Thompson Microelec- tronics
31019 Solid State Scientific Inc. Willow Grove, PA	33096 CO Crystal Corp. Loveland, CO	35986 Amrad Melrose Park, IL	5F520 Panel Components Corp. Santa Rosa, CA
31091 Alpha Industries Inc. Microelectronics Div. Hatfield, PA	33173 General Electric Co. Owensboro, KY	36665 Mitel Corp. Kanata, Ontario, Canada	5P575 Nobel Electronics Suffern, NY
31323 Metro Supply Company Sacramento, CA			5W664 NDK Div. of Nihon Dempa Kogyo LTD Lynchburg, VA

Federal Supply Codes for Manufacturers (cont)

5U802 Dennison Mfg. Co. Framingham, MA	51499 Amtron Corp. Boston, MA	52840 Western Digital Corp. Costa Mesa, CA	54937 DeYoung Mfg. Bellevue, WA
50088 SGS - Thomson Microelectronics Inc. Carrollton, TX	51506 Accurate Screw Machine Co. (ASMCO) Nutley, NJ	53021 Sangamo Weston Inc. (See 06141)	54590 RCA Corp. Electronic Components Div. Cherry Hill, NJ
50120 Eagle-Picher Industries Inc. Electronics Div. CO Springs, CO	51605 CODI Semiconductor Inc. Kenilworth, NJ	53036 Textool Co. Houston, TX	55026 American Gage & Machine Co. Simpson Electric Co. Div. Elgin, IL
50157 Midwest Components Inc. Muskegon, MS	51642 Centre Engineering Inc. State College, PA	53184 Xciton Corp. Lathan, NY	55112 Plessey Capacitors Inc. (Now 60935)
50356 Teac Corp. of America Industrial Products Div Montebello, CA	51705 ICO/Rally Palo alto, CA	53217 Technical Wire Products Inc. Santa Barbara, CA	55261 LSI Computer Systems Inc. Melville, NY
50364 MMI, Inc. (Monolithic Memories Inc) Military Products Div. Santa Clara, CA	51791 Statek Corp. Orange, CA	53342 Opt Industries Inc. Phillipsburg, NJ	55285 Bercquist Co. Minneapolis, MN
50472 Metal Masters, Inc. City of Industry, CA	51984 NEC America Inc. Falls Church, VA	53673 Thompson CSF Components Corp. (Semiconductor Div) Conaga Park, CA	55322 Samtech Inc. New Albany, IN
50541 Hypertronics Corp. Hudson, MA	52063 Exar Integrated Systems Sunnyvale, CA	53718 Airmold/W. R. Grese & Co. Roanoke Rapids, NC	55408 STI-CO Industries Co Buffalo, NY
50558 Electronic Concepts, Inc. Eatontown, NJ	52072 Circuit Assembly Corp. Irvine, CA	53848 Standard Microsystems Hauppauge, NY	55464 Central Semiconductor Corp. Hauppauge, NY
50579 Litronix Inc. Cupertino, CA	52152 MN Mining & Mfg. Saint Paul, MN	53894 AHAM Inc. RanchoCA, CA	55557 Microwave Diode Corp. W. Stewartown, NH
50891 Semiconductor Technology Stuart, FL	52333 API Electronics Hauppauge, Long Island, NY	53944 Glow-Lite Pauls Valley, OK	55566 R A F Electronic Hardware Inc. Seymour, CT
50934 Tran-Tec Corp Columbus, NE	52361 Communication Systems Piscataway, NJ	54178 Plasmetex Industries Inc. San Marcos, CA	55576 Synetek Santa Clara, CA
51167 Aries Electronics Inc. Frenchtown, NJ	52500 Amphenol, RF Operations Burlington, MA	54294 Shallcross Inc. Smithfield, NC	55680 Nichicon/America/Corp. Schaumburg, IL
51284 Mos Technology Norristown, PA	52525 Space-Lok Inc. Leroo Div. Burbank, CA	54453 Sullins Electronic Corp. San Marcos, CA	55943 D J Associates, Inc (Replaced Transcon Mfg.-24618) Fort Smith, AZ
51249 Heyman Mfg. Co. Cleveland, OH	52531 Hitachi Magnetics Edmore, MO	54473 Matsushita Electric Corp. (Panasonic) Secaucus, NJ	56282 Utek Systems Inc. Olathe, KS
51372 Verbatim Corp. Sunnyvale, CA	52745 Timco Los Angeles, CA	54492 Cinch Clamp Co., Inc. Santa Rosa, CA	56289 Sprague Electric Co. North Adams, MA
51398 MUPAC Corp. Brockton, MA	52763 Stetner-Electronics Inc. Chattanooga, TN	54583 TDK Garden City, NY	56365 Square D Co. Corporate Offices Palatine, IL
51406 Murata Erie, No. America Inc. (Also see 72982) Marietta, GA	52769 Sprague-Goodman Electronics Inc. Garden City Park, NY	54590 RCA Corp Distribution & Special Products Cherry Hill, NY	56375 WESCORP Div. Dal Industries Inc Mountain View, CA
	52771 Moniterm Corp. Amatrom Div. Santa Clara, CA	54869 Pihier International Corp. Arlington Heights, IL	

Federal Supply Codes for Manufacturers (cont)

56481 Shugart Associates Sub of Xerox Corp. Sunnyvale, CA	59610 Souriau Inc Valencia, CA	60911 Inmos Corp. CO Springs, CO	64537 KDI Electronics Whippany, NJ
56637 RCD Components Inc. Manchester, NH	59635 HV Component Associates Howell, NJ	60935 Westlake Capacitor Inc. Tantalum Div. Greencastle, IN	64782 Precision Control Mfg. Inc. Bellevue, WA
56708 Zilog Inc. Campbell, CA	59640 Supertex Inc. Sunnyvale, CA	60958 ACIC Intercomp Wire & Cable Div. Hayesville, NC	64834 West M G Co. San Francisco, CA
56856 Vamistor Corp. of TN Sevierville, TN	59660 Tusonix Inc. Tucson, AZ	61271 Fujitsu Microelectronics Inc San Jose, CA	64961 Electronic Hardware LTD North Hollywood, CA
56880 Magnetics Inc. Baltimore, MD	59730 Thomas and Betts Corp. IA City, IA	61394 SEEQ Technology Inc. San Jose, CA	65092 Sangamo Weston Inc. Weston Instruments Div. Newark, NJ
57026 Endicott Coil Co. Inc. Binghamton, NY	59831 Semtronics Corp. Watchung, NJ	61429 Fox Electronics Cape Coral, FL	65786 Cypress Semi San Jose, CA
57053 Gates Energy Products Denver, CO	6H053: American Components Inc. an Insilco Co. RPC Div. Hayesville, NC	61529 Aromat Corp. New Providence, NJ	65940 Rohm Corp & Whatney Irvine, CA
57170 Cambridge Thermionic Cambridge, MA Replaced by: 71279 Interconnection Products Inc.	6L611 Allen, Robert G. Inc. Van Nuys, CA	61752 IR-ONICS Inc Warwick, RI	65964 Evox Inc. Bannockburn, IL
57668 R-ohm Corp Irvine, CA	6U850 Burgess Switch Co., Inc Northbrook, IL	61772 Integrated Device Technology Santa Clara, CA	66150 Entron Inc. Winslow Teltronics Div. Glendale, NY
57962 SGS - Thomson Microelectronics Inc Montgomeryville, PA	6U095 AMD Enterprises, Inc. Roswell, GA	61802 Toshiba Houston, TX	66302 VLSI Technology Inc. San Jose, CA
58014 Hitachi Magnalock Corp. (Now 12581)	6X403 SGS/ATES Semiconductor Corp. Inpolis, IN	61857 SAN-O Industrial Corp. Bohemia, Long Island, NY	66419 Exel San Jose, CA
58104 Simco Atlanta, GA	6Y440 Micron Technology Inc. Boise, ID	61935 Schurter Inc. Petaluma, CA	66450 Dyna-Tech Electronics, Inc Walled Lake, MI
58364 BYCAP Inc. Chicago, IL	60046 Power Dynamics Inc West Orange, NJ	62351 Apple Rubber Lancaster, NY	66608 Bering Industries Freemont, CA
58451 Precision Lamp Cotat, CA	60197 Precicontact Inc. Langhorne, PA	62643 United Chemicon Rosemont, IL	66891 BKC International Electronics Lawrence, MA
58474 Superior Electric Co. Bristol, CT	60386 Squires Electronics Inc Cornelius, OR	62712 Seiko Instruments Torrance, CA	66958 SGS Semiconductor Corp. Phoenix, AZ
58614 Communications Instruments Inc. Fairview, NC	60395 Xicor Inc. Milpitas, CA	62793 Lear Siegler Inc. Energy Products Div. Santa Ana, CA	66967 Powerex Inc Auburn, NY
59124 KOA-Speer Electronics Inc. Bradford, PA	60399 Torin Engineered Blowers Div. of Clevepak Corp. Torrington, CT	63743 Ward Leonard Electric Co.Inc. Mount Vernon, NY	67183 Altera Santa Clara, CA
59422 Holmberg Electronics Irvine, CA	60496 Micrel Inc. Sunnyvale, CA	64154 Lamb Industries Portland, OR	68919 WIMA % Harry Levinson Co. Seattle, WA
	60705 Cera-Mite Corp. (formerly Sprague) Grafton, WI	64155 Linear Technology Milpitas, CA	

Federal Supply Codes for Manufacturers (cont)

7F361 Richmond-Division of Dixico % Zellerbach Paper Co. Seattle, WA	71468 ITT Cannon Div. of ITT Fountain Valley, CA	73138 Beckman Industrial corp. Helipot Div. Fullerton, CA	75042 TRW Inc. IRC Fixed Resistors Philadelphia, PA
7F844 Moore Business Forms, Inc Seattle, WA	71482 General Instrument Corp. Clare Div. Chicago, IL	73168 Fenwal Inc. Ashland, MA	75297 Kester Solder Div. Litton Systems, Inc Des Plaines, IL
7G902 Textron Inc. Cancar Div. Rockford, IL	71590 Mepco/Centralab A North American Philips Co. Fort Dodge, IA	73293 Hughes Aircraft Co. Electron Dynamics Div. Torrance, CA	75376 Kurz-Kasch Inc. Dayton, OH
7J395 Universal Plastics Welshpool, WA	71707 Coto Corp. Providence, RI	73445 Amperex Electronic Corp. Hicksville, NY	75378 CTS Knights Inc. Sandwich, IL
7J696 AMD Plastics East Lake, OH	71744 General Instrument Corp. Lamp Div/Worldwide Chicago, IL	73559 Carlingswitch Inc. Hartford, CT	75382 Kulka Electric Corp. (Now 83330) Mount Vernon, NY
7K354 Omni Spectra Inc Los Altos, CA	71785 TRW Inc. Cinch Connector Div. Elk Grove Village, IL	73586 Circle F Industries Trenton, NJ	75569 Performance Semiconductor Corp. Sunnyvale, CA
7Z884 ALPS Seattle, WA	71984 Dow Coming Corp. Midland, MI	73734 Federal Screw Products Inc. Chicago, IL	75915 Littelfuse Tracor (Formerly: Tracor-Littelfuse) Des Plaines, IL
7X634 Duracell USA Div. of Dart & Kraft Inc. Valdese, NC	72005 AMAX Specialty Metals Corp. Newark, NJ	73743 Fischer Special Mfg. Co. Cold Spring, KY	76854 Oak Switch Systems Inc. Crystal Lake, IL
70290 Almetal Universal Joint Co. Cleveland, OH	72136 Electro Motive Mfg. Corp. Florence, NC	73893 Microdot Mt. Clemens, MS	77122 TRW Assemblies & Fasteners Group Fastener Div. Moutainside, NJ
70485 Atlantic India Rubber Works Inc. Chicago, IL	72228 AMCA International Corp. Continental Screw Div. New Bedford, MA	73899 JFD Electronic Components Div. of Murata Erie Oceanside, NY	77342 AMF Inc. Potter & Brumfield Div. Princeton, IN
70563 Amperite Company Union City, NJ	72259 Nytronics Inc. New York, NY	73905 FL Industries Inc. San Jose, CA	77542 Ray-O-Vac Corp Madison, WI
70903 Cooper-Belden Corp. Geneva, IL	72619 Amperex Electronic Corp. Dialight Div. Brooklyn, NY	73949 Guardian Electric Mfg. Co. Chicago, IL	77638 General Instrument Corp. Rectifier Div. Brooklyn, NY
71002 Bimbach Co. Inc. Farmingdale, NY	72653 G C Electronics Co. Div. of Hydrometals Inc. Rockford, IL	74199 Quam Nichols Co. Chicago, IL	77900 Shakeproof Lock Washer Co. (Now 78189)
71034 Bileley Electric Co. Erie, PA	72794 Dzus Fastner Co. Inc. West Islip, NY	74217 Radio Switch Co. Marlboro, NJ	77969 Rubbercraft Corp. of CA Ltd. Torrance, CA
71183 Westinghouse Electric Corp. Bryant Div. Bridgeport, CT	72928 Gulton Industries Inc. Gudeman Div. Chicago, IL	74306 Piezo Crystal Co. Div. of PPA Industries Inc. Carlisle, PA	78189 IL Tool Works Inc. Shakeproof Div. Elgin, IL
71279 Interconnection Products Inc. Formerly Midland-Ross Cambion Div. Santa Ana, CA	72962 Elastic Stop Nut Div. of Harrard Industries Union, NJ	74445 Holo-Krome Co. Elmwood, CT	78277 Sigma Instruments Inc. South Braintree, MA
71400 Bussman Manufacturing Div. McGraw-Edison Co. St. Louis, MO	72982 Erie Specialty Products, Inc Formerly: Murata Erie Erie, PA	74542 Hoyt Elect.Instr. Works Inc. Penacook, NH	78290 Struthers Dunn Inc. Pitman, NJ
71450 CTS Corp. Elkhart, IN		74840 IL Capacitor Inc. Lincolnwood, IL	78553 Eaton Corp. Engineered Fastener Div. Cleveland, OH

Federal Supply Codes for Manufacturers (cont)

78592 Stoeger Industries South Hackensack, NJ	81439 Therm-O-Disc Inc. Mansfield, OH	83315 Hubbell Corp. Mundelein, IL	87034 Illuminated Products Inc. (Now 76854)
79497 Western Rubber Co. Goshen, IN	81483 International Rectifier Corp. Los Angeles, CA	83330 Kulka Smith Inc. A North American Philips Co. Manasquan, NJ	87516 Standard Crystal KS City, KS
79727 C - W Industries Southampton, PA	81590 Korry Electronics Inc. Seattle, WA	83478 Rubbercraft Corp. of America West Haven, CT	88044 Aeronautical Standards Group Dept. of Navy & Air Force
79963 Zierick Mfg. Corp. Mount Kisco, NY	81741 Chicago Lock Co. Chicago, IL	83553 Associated Spring Barnes Group Gardena, CA	88219 GNB Inc. Industrial Battery Div. Langhorne, PA
8C798 Ken-Tronics, Inc. Milan, IL	82227 Airpax Corp. Cheshire Div. Cheshire, CT	83740 Union Carbide Corp. Battery Products Div. Danbury, CT	88245 Winchester Electronics Litton Systems-Usecoc Div. Van Nuys, CA
8D528 Baumgartens Atlanta, GA	82240 Simmons Fastner Corp. Albany, NY	84171 Arco Electronics Commack, NY	88486 Triangle PWC Inc. Jewitt City, CT
8F330 Eaton Corp. Cutler Hammer Product Sales Office Mountain View, CA	82305 Palmer Electronics Corp. South Gate, CA	84411 American Shizuki TRW Capacitors Div. Ogallala, NE	88690 Essex Group Inc. Wire Assembly Div. Dearborn, MI
8T100 Tellabs Inc. Naperville, IL	82389 Switchcraft Inc. Sub of Raytheon Co. Chicago, IL	84613 FIC Corp. Rockville, MD	88786 Atlantic India Rubber Co. Goshen, IN
80009 Tektronix Beaverton, OR	82415 Airpax Corp. Frederick Div. Frederick, MD	84682 Essex Group Inc. Peabody, MA	88978 Phillips (Now Fluke) Mahwah, NJ
80031 Mepco/Electra Inc. Morristown, NJ	82872 Roanwell Corp. New York, NY	84830 Lee Spring Co. Inc Brooklyn, NY	89020 Amerace Corp. Buchanan Crimp Tool Products Div. Union, NJ
80032 Ford Aerospace & Communications Corp. Western Development Laboratories Div. Palo Alto, CA	82877 Rotron Inc. Custom Div. Woodstock, NY	85367 Bearing Distributing Co. San Francisco, CA	89265 Potter-Brumfield (See 77342)
80145 LFE Corp. Process Control Div. Clinton, OH	82879 ITT Royal Electric Div. Pawtucket, RI	85372 Bearing Sales Co. Los Angeles, CA	89462 Waldes Truarc, Inc. Long Island, NY
80183 Sprague Products (Now 56289)	83003 Varo Inc. Garland, TX	85480 W. H. Brady Co. Industrial Product Milwaukee, WI	89536 John Fluke Mfg. Co., Inc. Everett, WA
80294 Boums Instruments Inc. Riverside, CA	83014 Hartwell Corp. Placentia, CA	85840 Brady WH Co Industrial Products Div Milwaukee, WI	89597 Fredericks Co. Huntingdon Valley, PA
80583 Hammerlund Mfg. Co. Inc. Paramus, NJ	83055 Signalite Fuse Co. (Now 71744)	85932 Electro Film Inc. Valencia, CA	89709 Bunker Ramo-Eltra Corp. Amphenol Div. Broadview, IL
80640 Computer Products Inc. Stevens-Arnold Div. South Boston, MA	83058 TRW Assemblies & Fasteners Group Fasteners Div. Cambridge, MA	86577 Precision Metal Products Co. Peabody, MA	89730 General Electric Lamp Div. Newark, NJ
81073 Grayhill Inc. La Grange, IL	83259 Parker-Hannifin Corp. O-Seal Div. Culver City, CA	86684 Radio Corp. of America (Now 54590)	9R216 Data Composition Svc, Inc Laurel, MD
81312 Litton Systems Inc. Winchester Electronics Div. Watertown, CT	83298 Bendix Corp. Electric & Fluid Power Div. Eatonville, NJ	86928 Seastrom Mfg. Co. Inc. Glendale, CA	9S171 Port Plastics Tukwila, WA

Federal Supply Codes for Manufacturers (cont)

9W423 Amatom El Mont, CA	91934 Miller Electric Co. Woonsocket, RI	95573 Campion Laboratories Inc. Detroit, MI	98278 Malco A Microdot Co. South Pasadena, CA
90201 Mallory Capacitor Co. Sub of Emhart Industries Inc. Indianapolis, IN	91967 National Tel-Tronics Div. of electro Audio Dynamics Inc Meadville, PA	95712 Bendix Corp. Electrical Comp. Div. Franklin, IN	98291 Sealectro Corp. BICC Electronics Trumbull, CT
90215 Best Stamp & Mfg. Co. KS City, MO	91984 Maida Development Co. Hampton, VA	95987 Weckesser Co. Inc. (Now 85480)	98372 Royal Industries Inc. (Now 62793)
90303 Duracell Inc. Technical Sales & Marketing Bethel, CT	91985 Norwalk Valve Co. S. Norwalk, CT	96733 SFE Technologies San Fernando, CA	98388 Lear Siegler Inc. Accurate Products Div. San Deigo, CA
91094 Essex Group Inc. Suflex/IWP Div. Newmarket, NH	92218 Wakefield Corp., The Wakefield, ME	96853 Gulton Industries Inc. Measurement & Controls Div. Manchester, NH	98978 IERC (International Electronic Research Corp.) Burbank, CA
91247 IL Transformer Co. Chicago, IL	92527 VTC Inc. Bloomington, MN	96881 Thomson Industries Inc. Port WA, NY	99120 Plastic Capacitors Inc. Chicago, IL
91293 Johanson Mfg. Co. Boonton, NJ	92607 Tensolite Co. Div. of Carlisle Corp. Buchanan, NY	97464 Industrial Retainer Ring Irvington, NJ	99217 Bell Industries Inc. Elect. Distributor Div. Sunnyvale, CA
91462 Alpha Industries Inc. Logansport, IN	92914 Alpha Wire Corp. Elizabeth, NJ	97525 EECO Inc. Santa Ana, CA	99378 ATLEE of DE Inc. N. Andover, MA
91502 Associated Machine Santa Clara, CA	93332 Sylvania Electric Products Semiconductor Products Div. Woburn, MA	97540 Whitehall Electronics Corp. Master Mobile Mounts Div. Fort Meyers, FL	99392 Mepco/Electra Inc. Roxboro Div. Roxboro, NC
91506 Augat Alcoswitch N. Andover, MA	94144 Raytheon Co. Microwave & Power Tube Div. Quincy, MA	97913 Industrial Electronic Hardware Corp. NY, NY	99515 Electron Products Inc. Div. of American Capacitors Duarte, CA
91507 Froeliger Machine Tool Co. Stockton, CA	94222 Southco Inc. Concordville, PA	97945 Pennwalt Corp. SS White Industrial Products Piscataway, NJ	99779 Bunker Ramo- Eltra Corp. Bames Div. Lansdown, PA
91637 Dale Electronics Inc. Columbus, NE	94988 Wagner Electric Corp. Sub of McGraw-Edison Co. Whippany, NJ	97966 CBS Electronic Div. Danvers, MA	99800 American Precision Industries Delevan Div. East Aurora, NY
91662 Elco Corp. A Gulf Western Mfg. Co. Connector Div. Huntingdon, PA	95146 Alco Electronic Products Inc. Switch Div. North Andover, MA	98094 Machlett Laboratories Inc. Santa Barbara, CA	99942 Mepco/Centralab A North American Philips Co. Milwaukee, WI
91737 ITT Cannon/Gremar (Now 08718)	95263 Leecraft Mfg. Co. Long Island City, NY	98159 Rubber-Teck Inc. Gardena, CA	
91802 Industrial Devices Inc. Edgewater, NJ	95275 Vitramon Inc. Bridgeport, CT		
91833 Keystone Electronics Corp. NY, NY	95303 RCA Corp. Receiving Tube Div. Cincinnati, OH		
91836 King's Electronics Co. Inc. Tuckahoe, NY	95348 Gordo's Corp. Bloomfield, NJ		
91929 Honeywell Inc. Micro Switch Div. Freeport, IL	95354 Methode Mfg. Corp. Rolling Meadows, IL		

TECHNICAL SERVICE CENTERS

U.S. Service Locations

California

Fluke Technical Center
16969 Von Karman Avenue
Suite 100
Irvine, CA 92714
Tel: (714) 863-9031

Fluke Technical Center
46610 Landing Parkway
Fremont, CA 94538
Tel: (415) 651-5112

Colorado

Fluke Technical Center
14180 East Evans Avenue
Aurora, CO 80014
Tel: (303) 695-1171

Florida

Fluke Technical Center
940 N. Fern Creek Avenue
Orlando, FL 32803
Tel: (407) 896-4881

Illinois

Fluke Technical Center
1150 W. Euclid Ave.
Palatine, IL 60067
Tel: (312) 705-0500

Maryland

Fluke Technical Center
5640 Fishers Lane
Rockville, MD 20852
Tel: (301) 770-1576

New Jersey

Fluke Technical Center
East 66 Midland Avenue
Paramus, NJ 07652-0930
Tel: (201) 599-9500

Texas

Fluke Technical Center
1801 Royal Lane, Suite 307
Dallas, TX 75229
Tel: (214) 869-2848

Washington

Fluke Technical Center
John Fluke Mfg. Co., Inc.
1420 75th St. S.W.
M/S 6-30
Everett, WA 98203
Tel: (206) 356-5560

International

Argentina

Coasin S.A.
Virrey del Pino 4071 DPTO E-65
1430 CAP FED
Buenos Aires
Tel: 54 1 522-5248

Australia

Philips Customer Support
Scientific and Industrial
23 Lakeside Drive
Tally Ho Technology Park
East Burwood
Victoria 3151

Australia

Philips Customer Support
Scientific & Industrial
25-27 Paul St. North
North Ryde N.S.W. 2113
Tel: 61 02 888 8222

Austria

Oesterreichische Philips Industrie
Unternehmensbereich Prof. Systeme
Triesterstrasse 66
Postfach 217
A-1101 Wein
Tel: 43 222-60101, x1388

Belgium

Philips & MBLE Associated S.A.
Scientific & Industrial Equip. Div
Service Department.
80 Rue des deux Gares B-1070
Brussels
Tel: 32 2 525 6111

Brazil

Hi-Tek Electronica Ltda.
Al. Amazonas 422, Alphaville
CEP 06400 Barueri
Sao Paulo
Tel: 55 11 421-5477

Canada

Fluke Electronics Canada Inc.
400 Britannia Rd. East, Unit #1
Mississauga
Ontario L4Z 1X9
Tel: 416-890-7600

Chile

Intronica Chile Ltda.
Casilla 16228
Santiago 9
Tel: 56 2 2321886, 2324308

China

Fluke International Corp.
P.O. Box 9085
Beijing
Tel: 86 01 512-3436

Colombia

Sistemas E Instrumentacion, Ltda.
Carrera 13, No. 37-43, Of. 401
Ap. Aereo 29583
Bogota DE
Tel: 57 232-4532

Denmark

Philips A/S
Technical Service I & E
Strandlodsvej 1A
PO Box 1919
DK-2300
Copenhagen S
Tel: 45 1 572222

Ecuador

Proteco Coasin Cia., Ltda.
P.O. Box 228-A
Ave. 12 de Octubre
2285 y Orellana
Quito
Tel: 593 2 529684

Egypt

Philips Egypt
10, Abdel Rahman el Rafei st.
el. Mohandessin
P.O. Box 242
Dokki Cairo
Tel: 20-2-490922

England

Philips Scientific
Test & Measuring Division
Colonial Way
Watford
Hertfordshire WD2 4TT
Tel: 44 923-40511

Finland

Oy Philips AB
Central Service
Sinikalliontie 1-3
P.O. Box 11
SF-02630 ESPOO
Tel: 358-0-52572

France

S.A. Philips Industrielle
et Commerciale,
Science et Industry
105 Rue de Paris Bp 62
93002 Bobigny, Cedex
Tel: 33-1-4942-8040

Germany (F.R.G.)

Philips GmbH
Service fuer FLUKE - Produkte
Department VSF
Oskar-Messter-Strasse 18
D-8045 Ismaning/Munich,
West Germany
Tel: 49 089 9605-239

Greece

Philips S.A. Hellenique
15, 25th March Street
177 78 Tavros
10210 Athens
Tel: 30 1 4894911

Hong Kong

Schmidt & Co (H.K.) Ltd.
18/FL., Great Eagle Centre
23 Harbour Road
Wanchai
Tel: 852 5 8330222

India

Hinditron Services Pvt. Ltd
1st Floor, 17-B,
Mahal Industrial Estate
Mahakali Road, Andheri East
Bombay 400 093
Tel: 91 22 6300043

Hinditron Services Pvt. Inc.
33/44A Raj Mahal Villas Extn.
8th Main Road
Bangalore 560 080
Tel: 91 812 363139

Hinditron Services Pvt. Ltd.

Field Service Center
Emerald Complex 1-7-264
5th Floor
114 Sarojini Devi Road
Secunderabad 500 003
Tel: 08 42-821117

Hinditron Services Pvt. Ltd.

15 Community Centre
Panchshila Park
New Delhi 110 017
Tel: 011-6433675

Indonesia

P.T. Lamda Triguna
P.O. Box 6/JATJG
Jakarta 13001
Tel: (021) 8195365

Israel

R.D.T. Electronics Engineering, Ltd.
P.O. Box 43137
Tel Aviv 61430
Tel: 972 3 483211

Italy

Philips S.p.A.
Sezione I&E / T&M
Viale Elvezia 2
2005 Monza
Tel: 39 39 3635342

Japan

John Fluke Mfg. Co., Inc.
Japan Branch
Sumitomo Higashi Shinbashi Bldg.
1-1-11 Hamamatsucho
Minato-ku
Tokyo 105
Tel: 81 3 434-0181

Korea

Myoung Corporation
Yeo Eui Do P.O. Box 14
Seoul 150
Tel: 82 2 784-9942

Malaysia

Mecomb Malaysia Sdn. Bhd.
P.O. Box 24
46700 Petaling Jaya
Selangor
Tel: 60 3 774-3422

Mexico

Mexel Servicios en Computacion
Instrumentacion y Perifericos
Blvd. Adolfo Lopez Mateos No. 163
Col. Mixcoac
Mexico D.F.
Tel: 52-5-563-5411

Netherlands

Philips Nederland
Test & Meetapparaten Div.
Postbus 115
5000 AC Tilburg
Tel: 31-13-352445

New Zealand

Philips Customer Support
Scientific & Industrial Division
2 Wagener Place
Mt. Albert
Auckland
Tel: 64 9 894-160

Norway

Morgenstjerne & Co. A/S
Konghellegate 3
P.O. Box 6688, Rodelokka
Oslo 5
Tel: 47 2 356110

Pakistan

International Operations (PAK) Ltd.
505 Muhammadi House
I.I. Chundrigar Road
P.O. Box 5323
Karachi
Tel: 92 21 221127, 239052

Peru

Importaciones & Representaciones
Electronicas S.A.
Avad Franklin D. Roosevelt 105
Lima 1
Tel: 51 14 288650

Philippines

Spark Radio & ElectronicS Inc.
Greenhills, P.O. Box 610
San Juan, Metro-Manila Zip 3113
Tel: 63-2-775192

Portugal

Decada Espectral
Equipmentos de Elec. e Cientificos
Av. Bomberos Voluntarios
Lote 102B, Miraflores/Alges
1495 Lisboa
Tel: 351 1 410-3420

Singapore

Rank O'Connor's Singapore (PTE) Ltd.
98 Pasir Panjang Road
Singapore 0511
Tel: 65 4737944

South Africa

South African Philips (Pty) Ltd.
Service Department
195 Main Rd
Martindale, Johannesburg, 2092
Tel: 27 11 470-5255

Spain

Philips Iberica S.A.E.
Depto. Tecnico Instrumentacion
c/Martinez Villergas 2
28027 Madrid
Tel: 34 1 4042200

Sweden

Philips Kistaindustrier AB
Customer Support
Borgarfjordsgatan 16
S-16493 Kista

Switzerland

Philips A.G.
Technischer Kundendienst
Postfach 670
Allmendstrasse 140
CH-8027 Zurich
Tel: 41 1 482211

Taiwan

Schmidt Electronics Corp.
5th Floor, Cathay Min Sheng
Commercial Building,
344 Min Sheng East Road
Taipei
Tel: 886 2501-3468

Thailand

Measuretronix Ltd.
2102/63 Ramkamhaeng Rd.
Bangkok 10240
Tel: 66 2 374-2516, 374-1632

Turkey

Turk Philips Ticaret A.S.
Inonu Caddesi 78/80
Posta Kutusu 504-Beyoglu
Istanbul
Tel: 90 1 1435891

Uruguay

Coasin Uruguay S.A
Casilla de Correo 1400
Libertad 2525
Montevideo
Tel: 598-2-789015

Venezuela

Coasin C.A.
Calle 9 Con Calle 4, Edif. Edinurbi
Apartado de Correos Nr-70-136
Los Ruices
Caracas 1070-A
Tel: 58 2 241-0309, 241-1248

West Germany

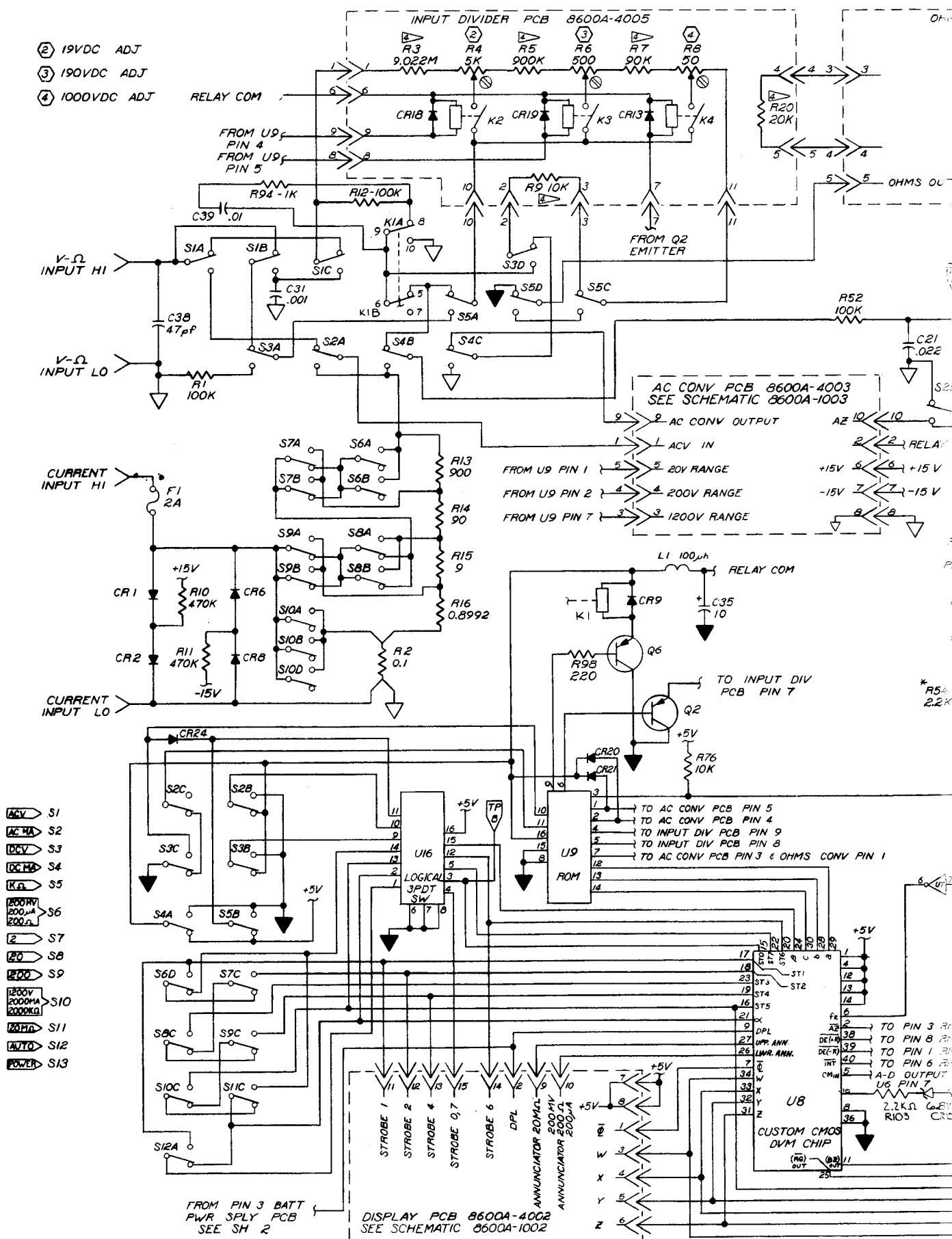
Philips GmbH
Department VSF
Service fuer FLUKE - Produkte
Oskar - Messter - Strasse 18
D-8045 Ismaning / Munich
Tel: 49 089 9605-260

Section 8

Schematic Diagrams

TABLE OF CONTENTS

FIGURE NO.	NAME	DRAWING NO.	PAGE
8-1	Front Panel and Main PCB Assembly (2 sheets)	8600A-1001	8-3
8-2	Display PCB Assembly	8600A-1002	8-7
8-3	AC Converter PCB Assembly	8600A-1003	8-9
8-4	Ohms Converter PCB Assembly	8600A-1004	8-11
8-5	Battery Power Supply PCB Assembly (Option -01)	8600A-1006	8-13
8-6	Data Output Unit PCB Assembly (Option -02)	8800A-1005	8-15



- ② 19VDC ADJ
- ③ 190VDC ADJ
- ④ 1000VDC ADJ

- ACV S1
- AC MA S2
- DCV S3
- DC MA S4
- KA S5
- 200MV 200uA 200nA S6
- 2 S7
- 20 S8
- 200 S9
- 200V 2000uA 2000nA S10
- 200nA S11
- AUTO S12
- POWER S13

FROM PIN 3 BATT PWR SPLY PCB SEE SH 2

DISPLAY PCB 8600A-4002 SEE SCHEMATIC 8600A-1002

CUSTOM CMOS DVM CHIP (U8) 2.2kΩ 6.8V RIO3 CR2

1S CONVERTER PCB 8600A-4004
SEE SCHEMATIC 8600A-1004

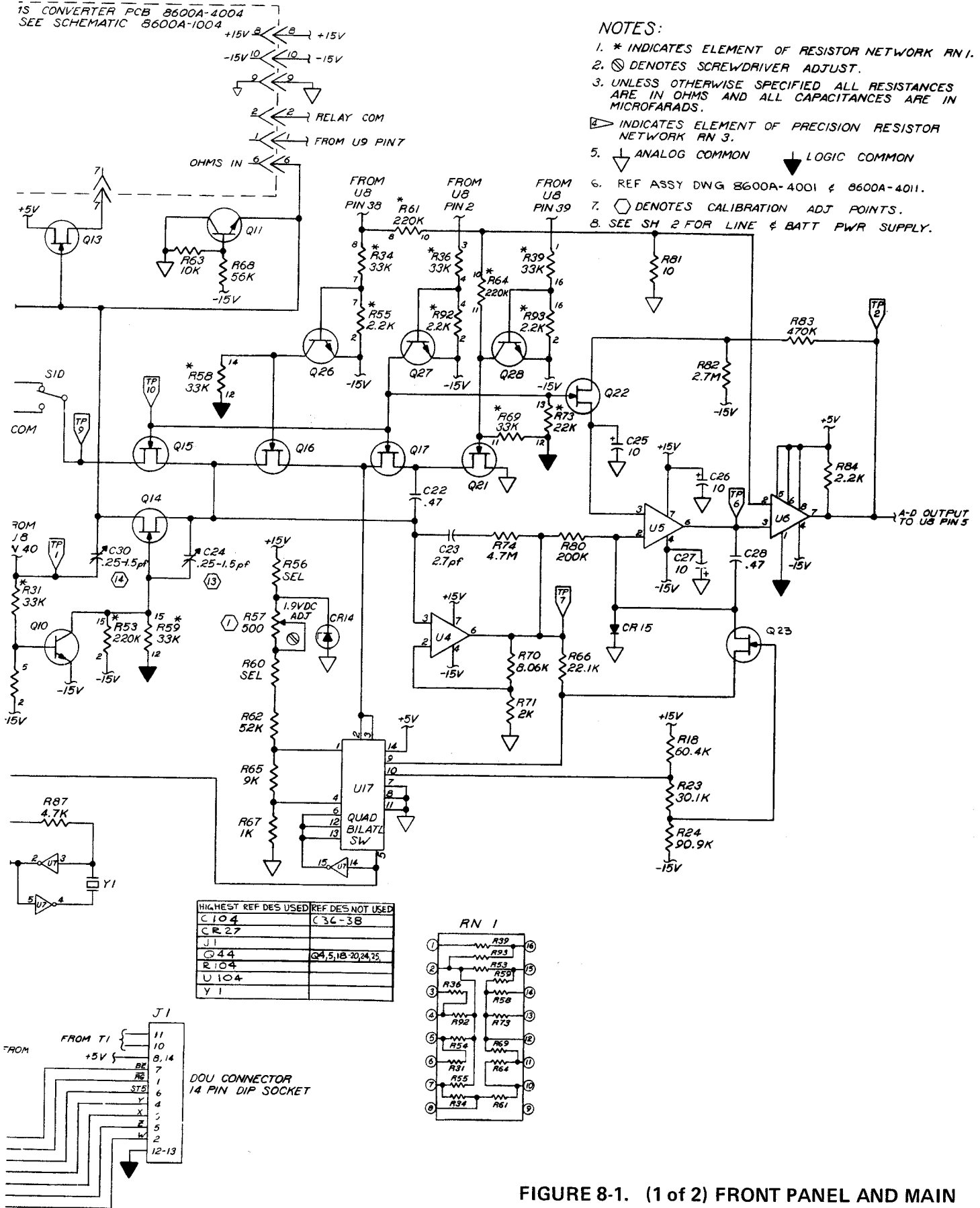
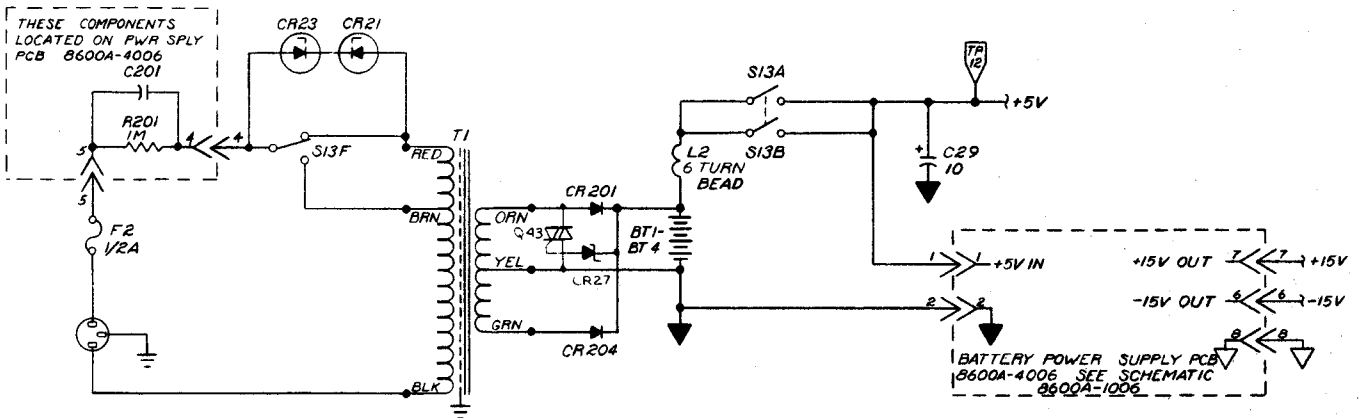


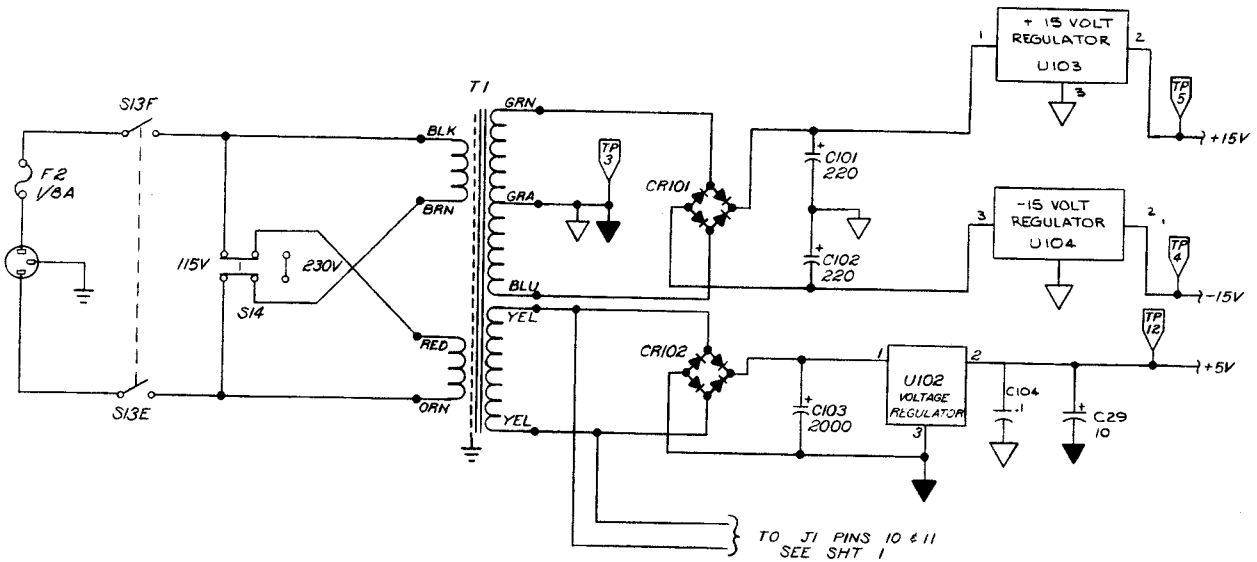
FIGURE 8-1. (1 of 2) FRONT PANEL AND MAIN PCB ASSEMBLY (8600A-1001)



BATTERY POWER SUPPLY

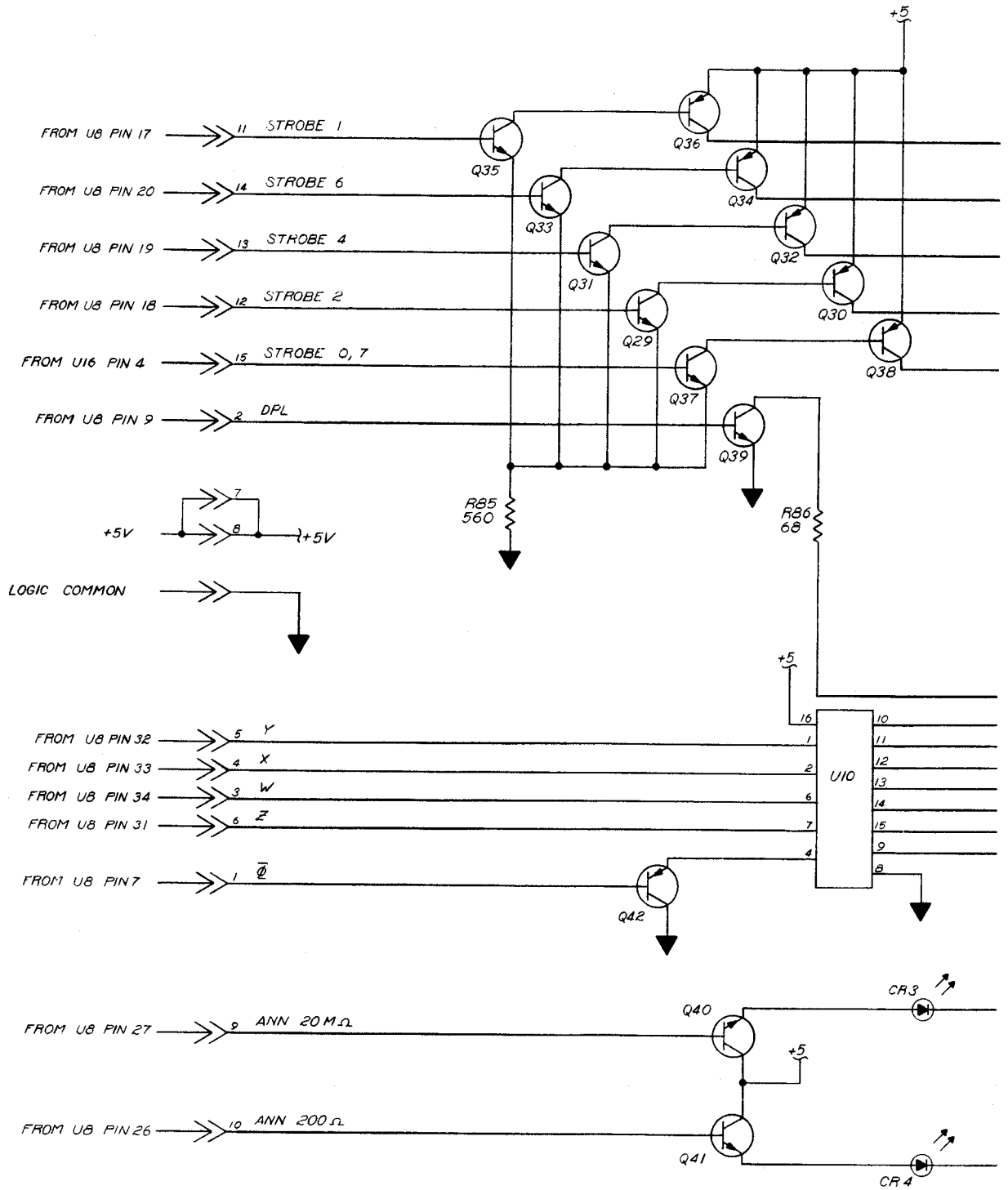
NOTES:

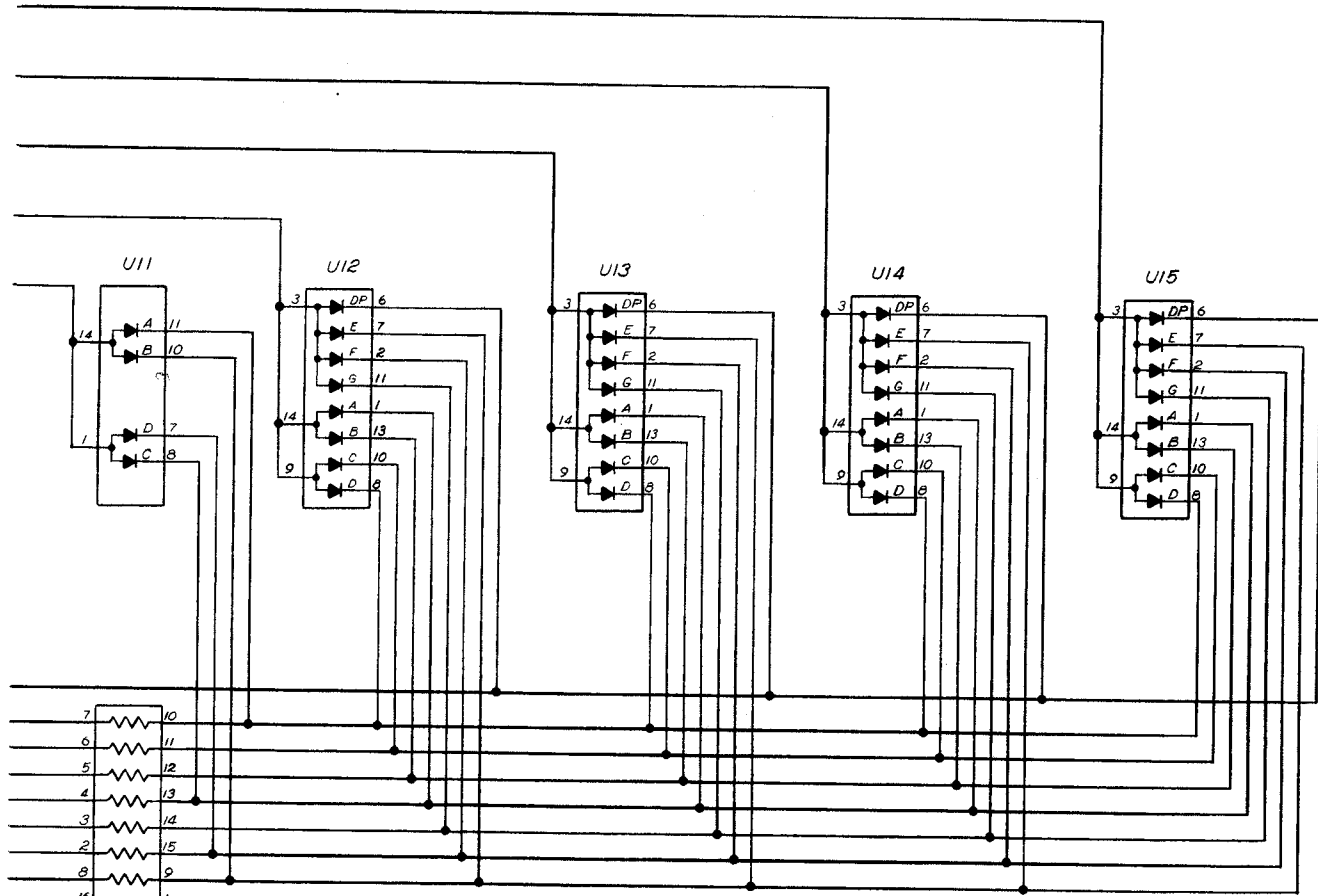
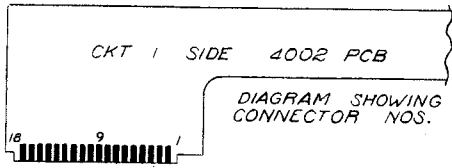
1. UNLESS OTHERWISE SPECIFIED ALL RESISTANCES ARE IN OHMS AND ALL CAPACITANCES ARE IN MICROFARADS
2. \perp EARTH GROUND
3. ∇ ANALOG COMMON \blacktriangledown LOGIC COMMON
4. REF ASSY DWG 8600A-4001 & 8600A-4011
5. SEE SH 1 FOR ALL OTHER MAIN PCB CKTY



LINE ONLY POWER SUPPLY

FIGURE 8-1. (2 of 2) FRONT PANEL AND MAIN PCB ASSEMBLY (8600A-1001)





RESISTANCE VALUES FOR RN2

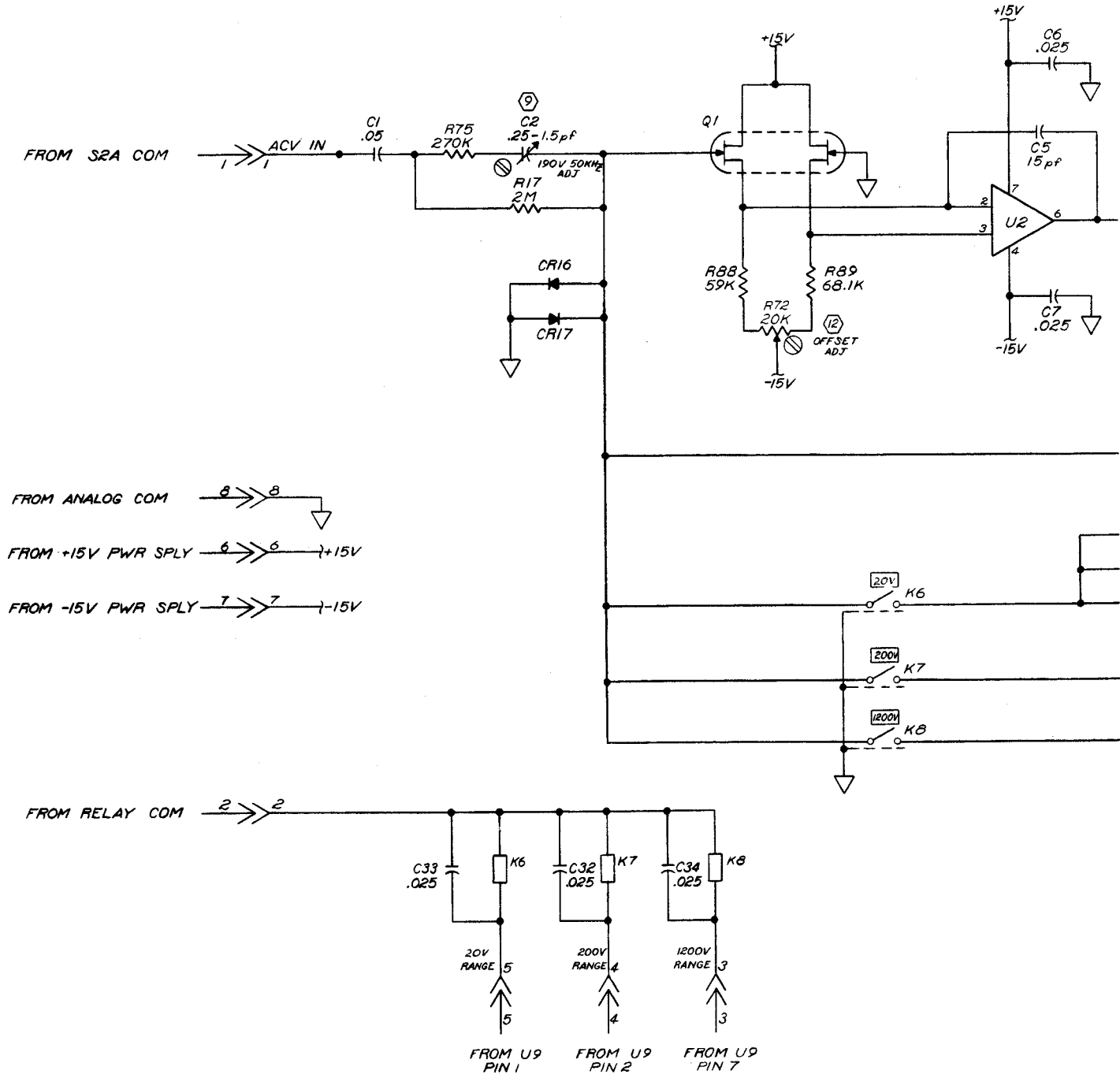
PINS	VALUE
7-10	68
6-11	68
5-12	68
4-13	68
3-14	68
2-15	68
8-9	68
16-1	270

NOTE:

1. UNLESS OTHERWISE SPECIFIED ALL RESISTANCES ARE IN OHMS.
2. REFERENCE ASSY DWG 8600A-4002.

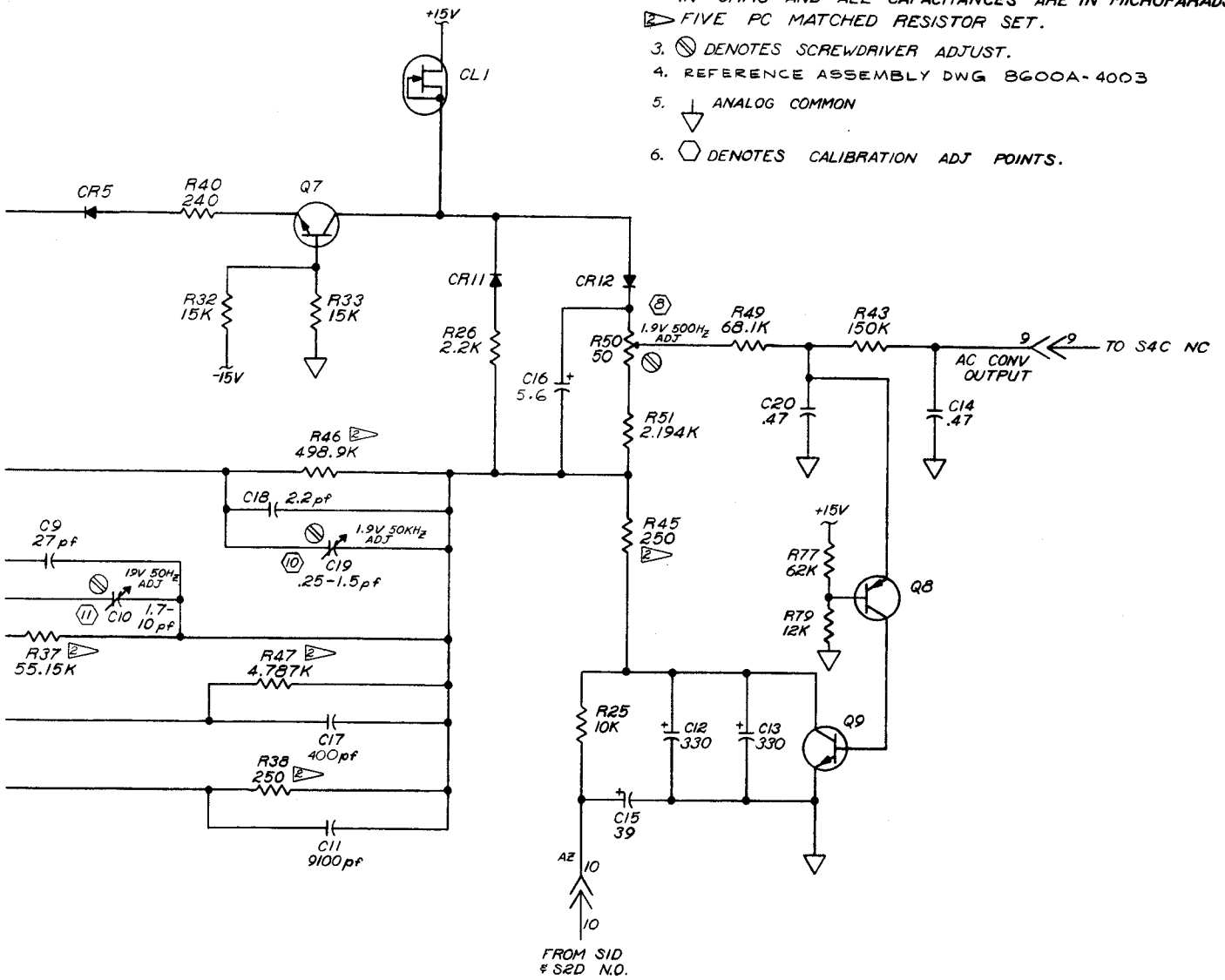


FIGURE 8-2. DISPLAY PCB ASSEMBLY (8600A-1002)



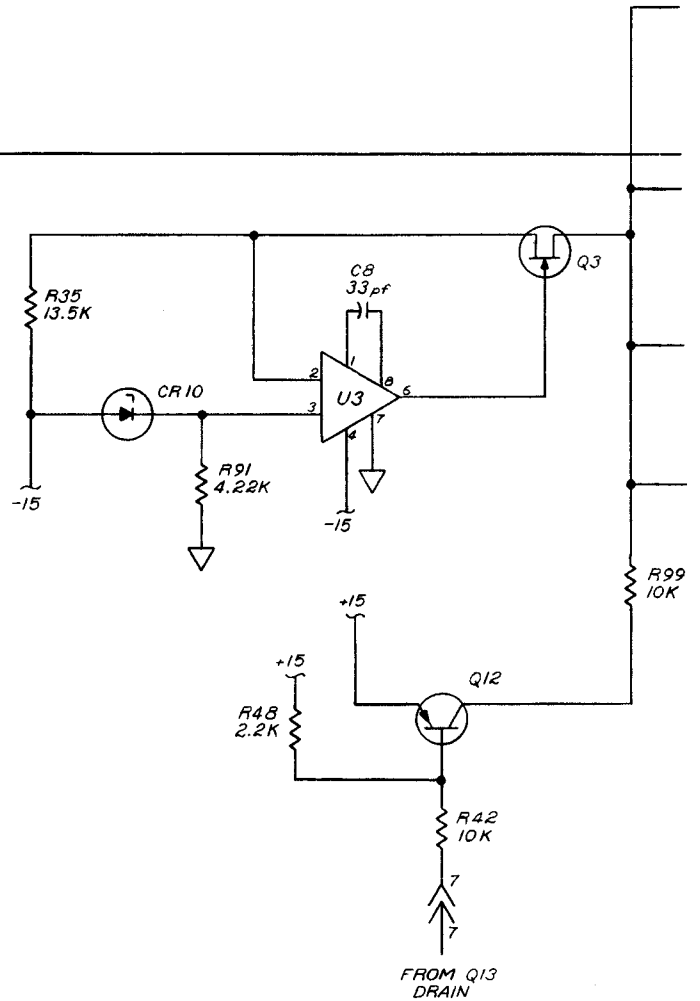
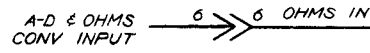
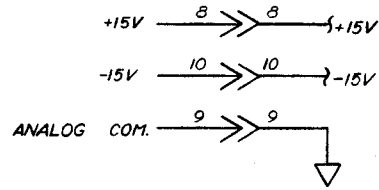
NOTES:

1. UNLESS OTHERWISE SPECIFIED ALL RESISTANCES ARE IN OHMS AND ALL CAPACITANCES ARE IN MICROFARADS.
2. ▽ FIVE PC MATCHED RESISTOR SET.
3. ⊕ DENOTES SCREWDRIVER ADJUST.
4. REFERENCE ASSEMBLY DWG 8600A-4003
5. ▽ ANALOG COMMON
6. ⬡ DENOTES CALIBRATION ADJ POINTS.

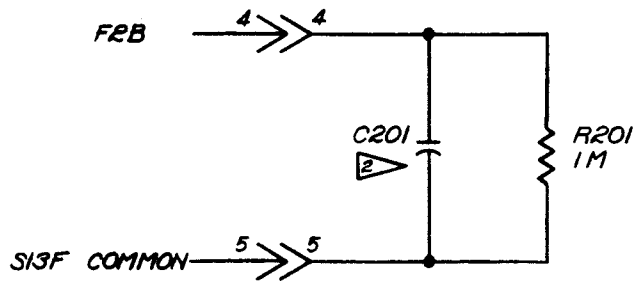
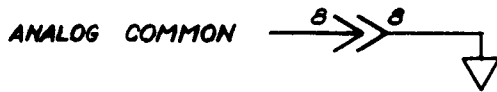
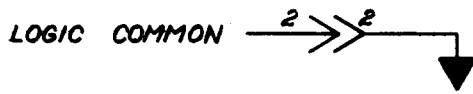
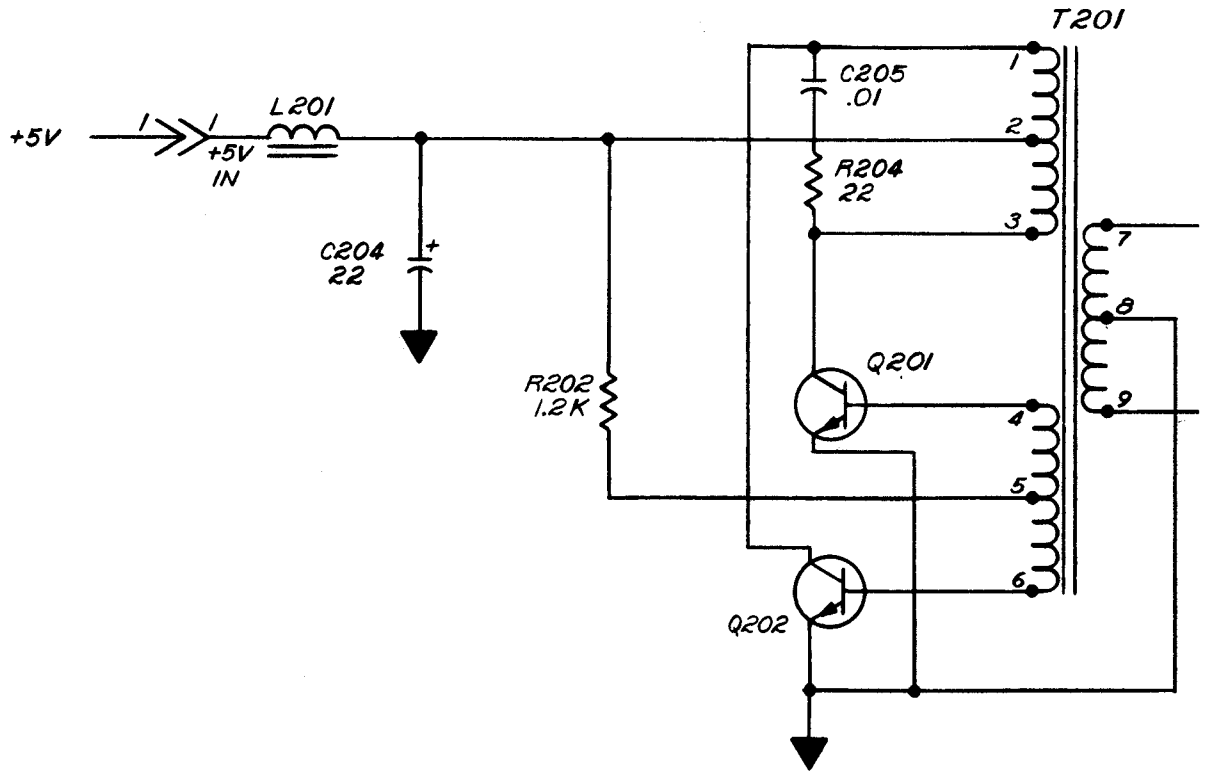


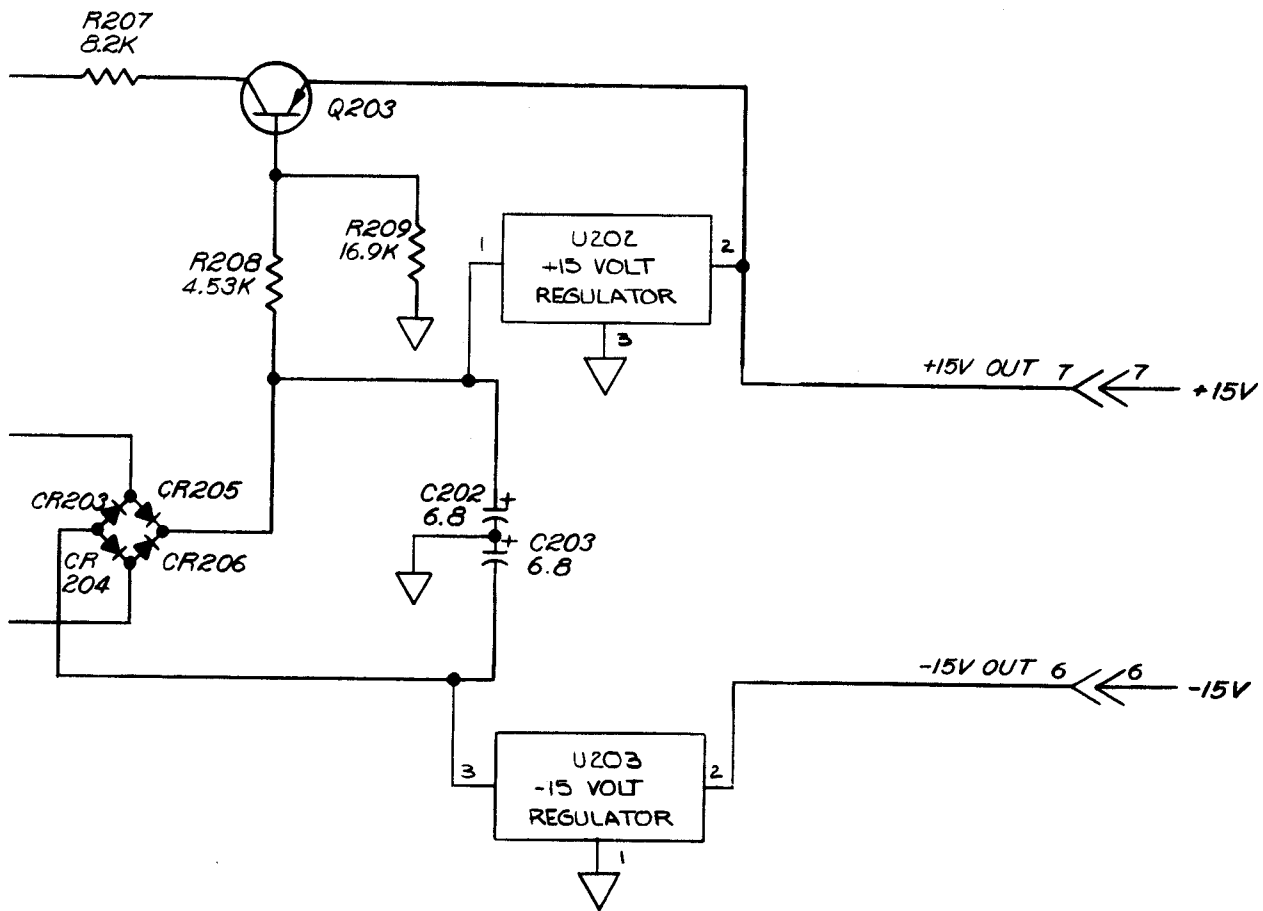
HIGHEST REF DES	REF DES NOT USED
C34	C3,4,8,21-31
CL1	
CR17	CR1-4,6-10,13-15
K8	K1-5
R89	R1-16,18-24,27-31,34-36,39,41,42,44,48,52-71,73,74,76,78,80-87
Q9	Q2-6
U2	U1

FIGURE 8-3. AC CONVERTER PCB ASSEMBLY (8600A-1003)





TO US 3 → 3
 PIN 9 → LOW BATT IND



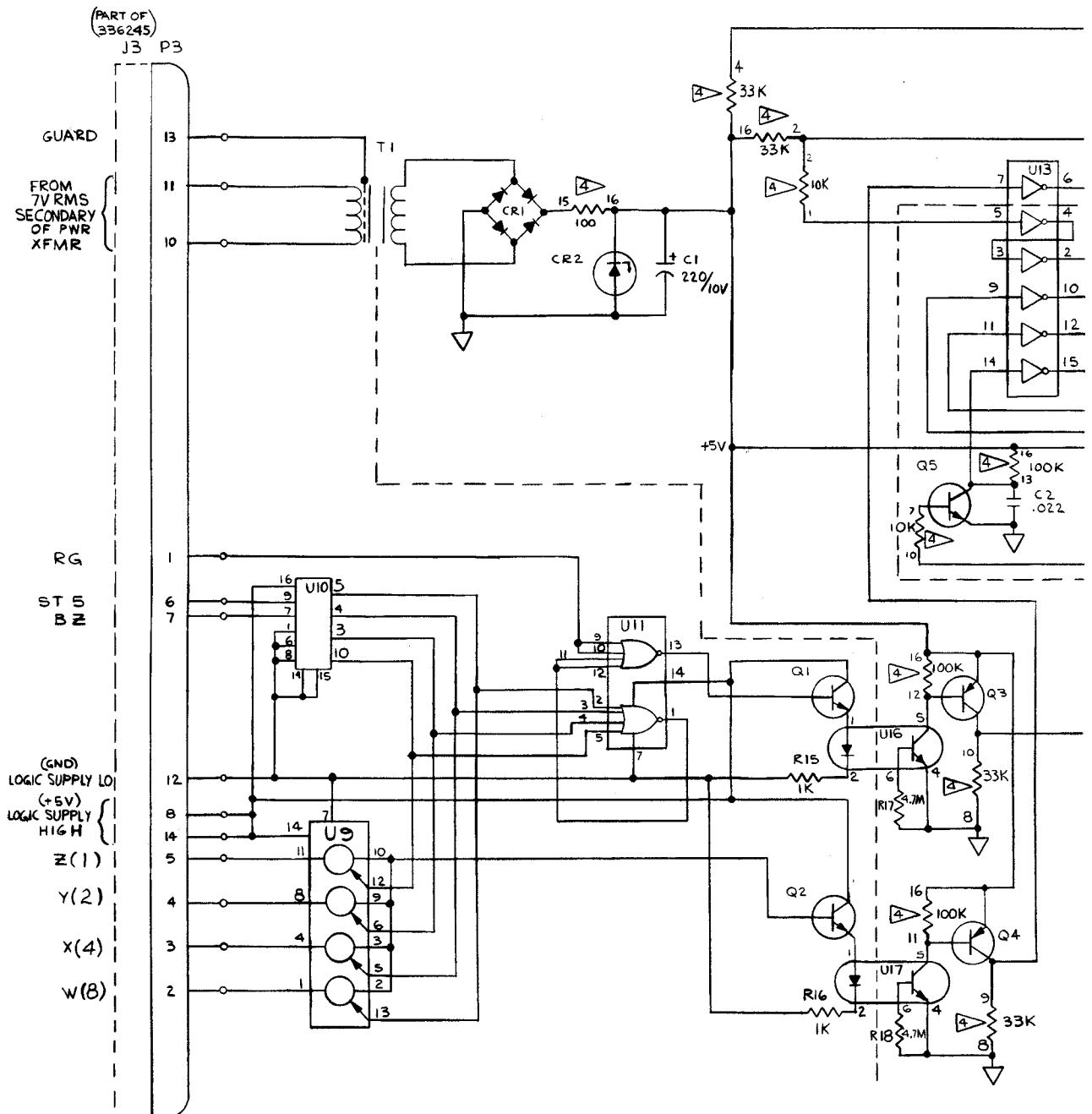


NOTES:

1. UNLESS OTHERWISE SPECIFIED ALL RESISTANCES ARE IN OHMS AND ALL CAPACITANCES ARE IN MICROFARADS.
2. CAPACITOR VALUE SELECTED FOR AC LINE VOLTAGE (i.e. 115, 230, etc.).
3. REF ASSY DWG 8600A-4006.
4.  ANALOG COMMON  LOGIC COMMON

HIGHEST REF DES	REF DES NOT USED
C 205	
CR 206	CR201,202
L 201	
Q 203	
R 209	R 203
T 201	
U 203	

FIGURE 8-5. BATTERY POWER SUPPLY PCB ASSEMBLY, OPTION -01 (8600A-1006)



- NOTES:
- UNLESS OTHERWISE SPECIFIED;
 - 1. ALL RESISTANCE VALUES IN OHMS, TOL $\pm 5\%$.
 - 2. ALL CAPACITANCE VALUES IN MICROFARADS.
 - ③ U15 IS NOT REQUIRED ON 8600A.
 - ④ PART OF RN1 (RESISTOR NETWORK)
 - ⑤ PART OF U5.
 - ⑥ PART OF U6.
 - ⑦ JUMPER AS REQUIRED
 - ⑧. SEE 8800A-4005 FOR ASSY.

HIGHEST REF DES	REF DES NOT USED
C4	
CR2	
U17	
Q5	
R18	
RN1	
T1	

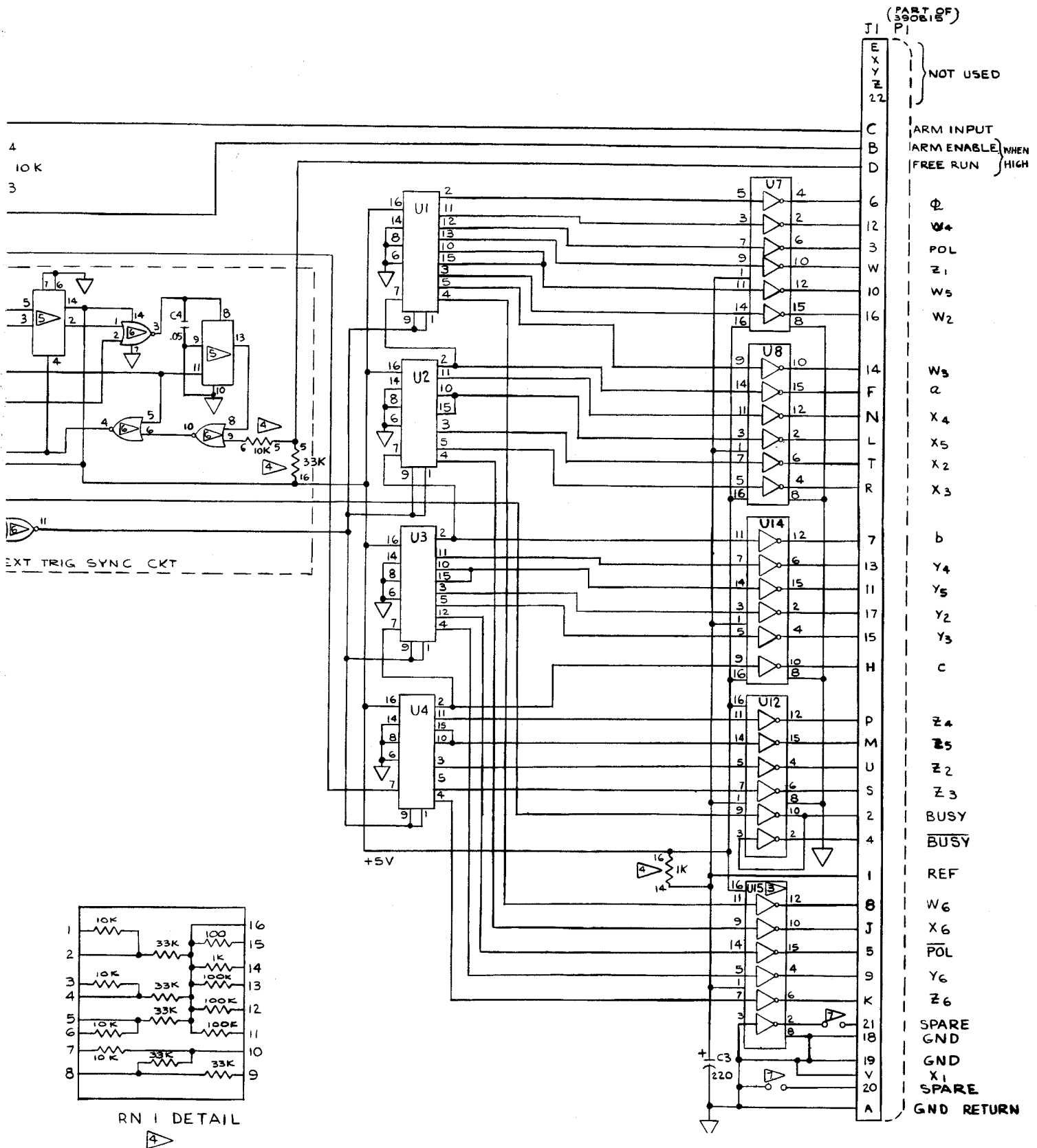


FIGURE 8-6. DATA OUTPUT UNIT PCB ASSEMBLY, -02 OPTION (8800A-1005)