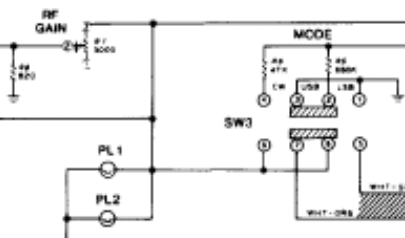
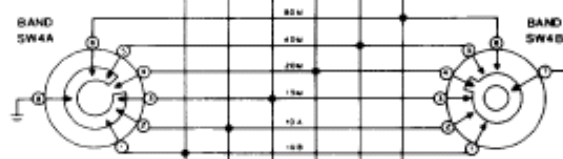
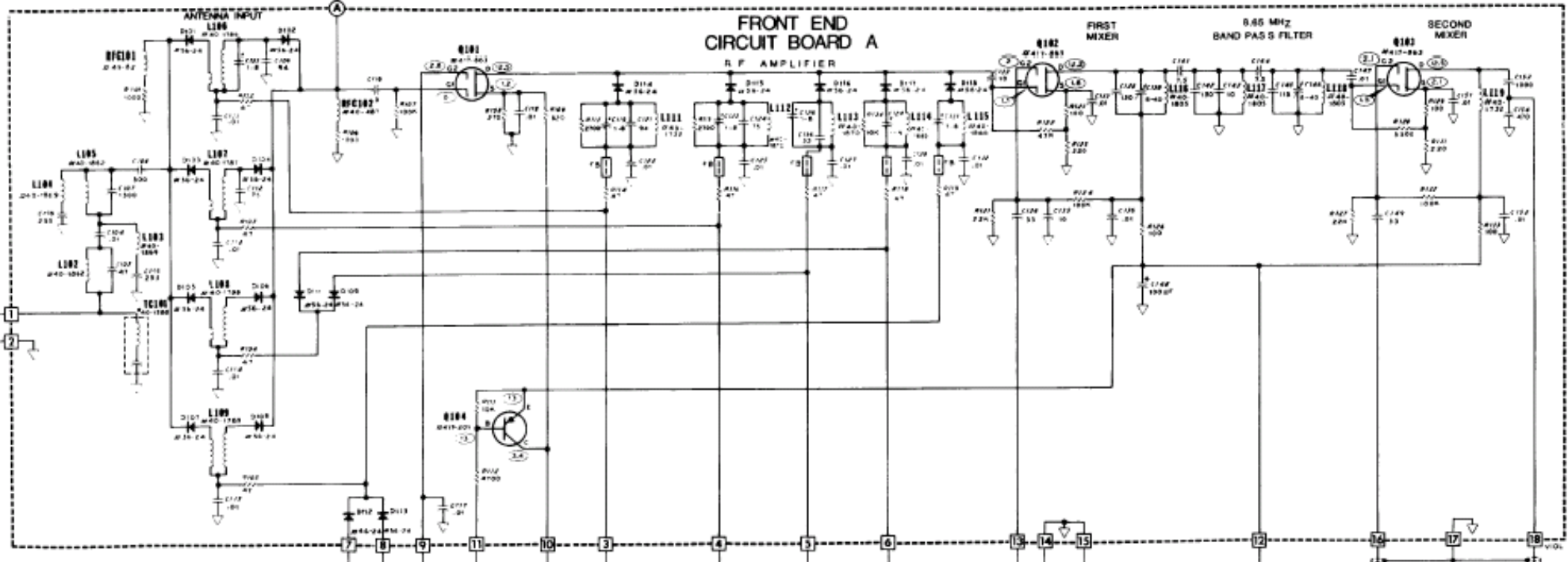


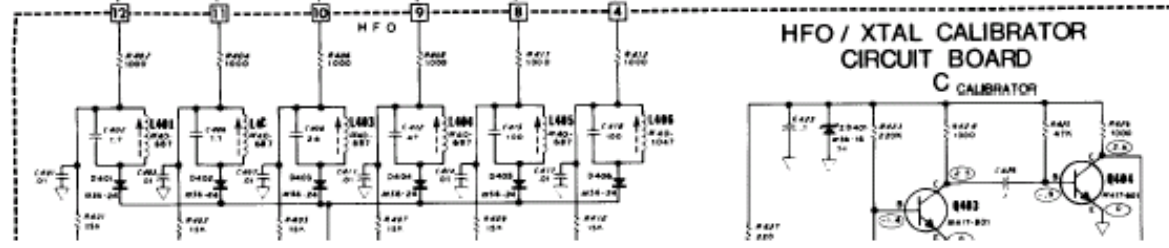
ANT. J1

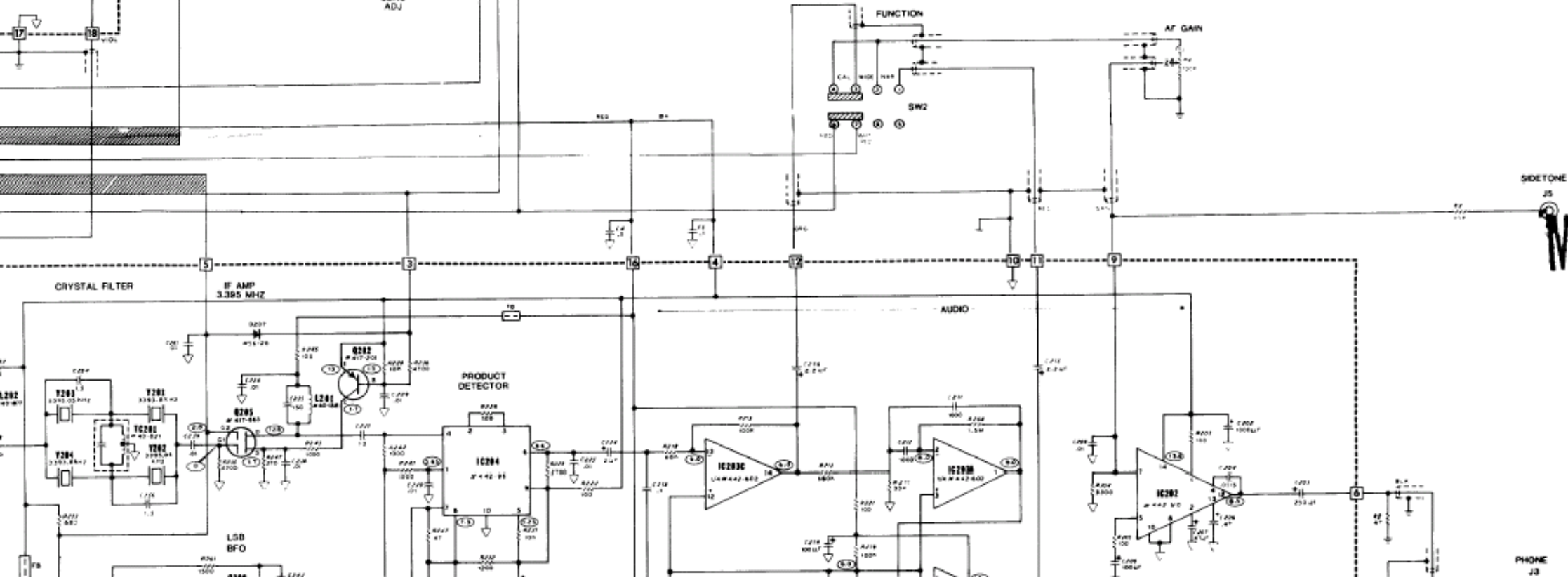
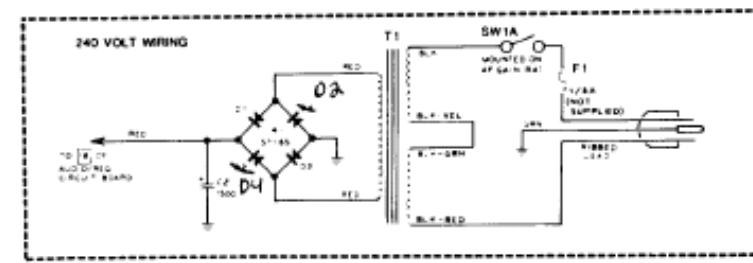
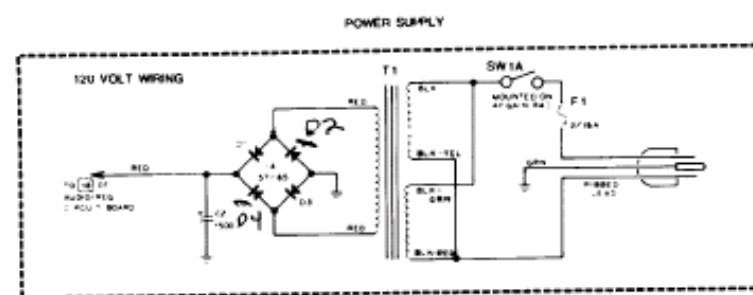
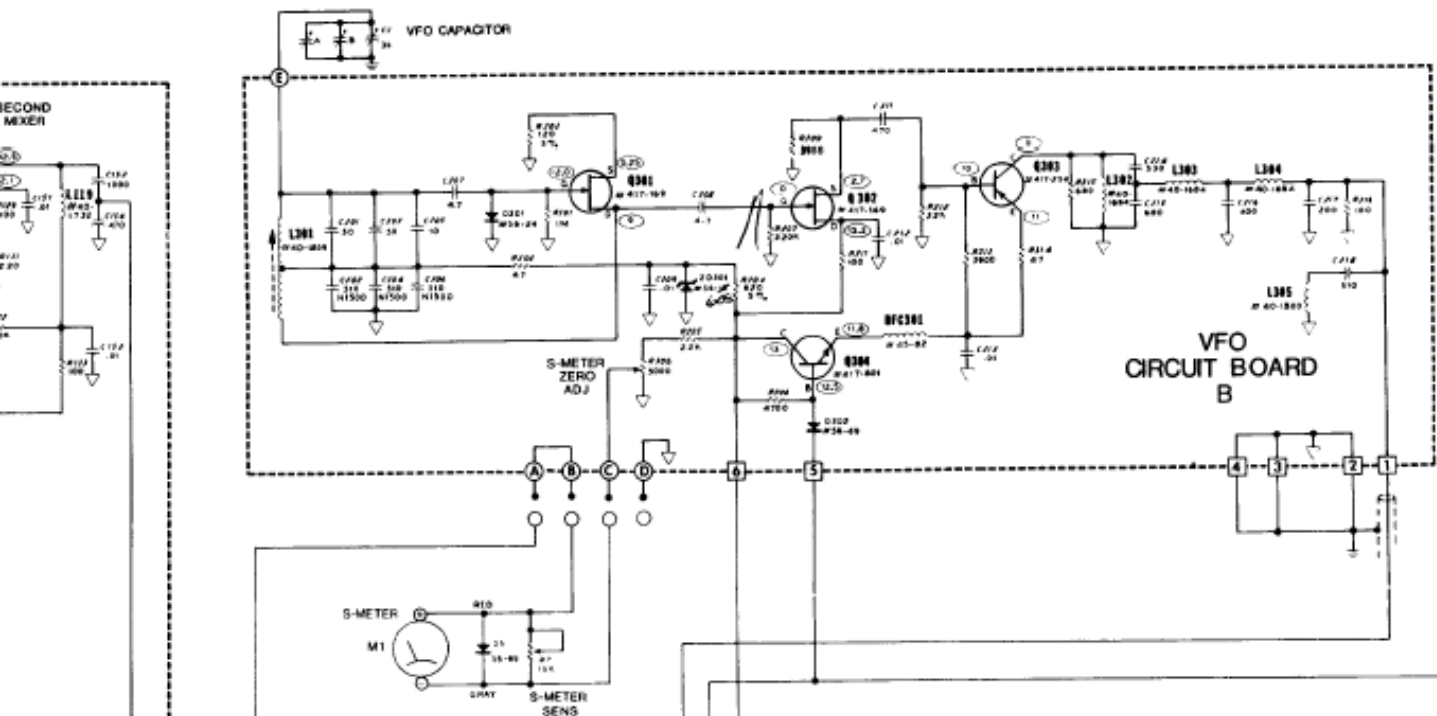
PRESELECTOR

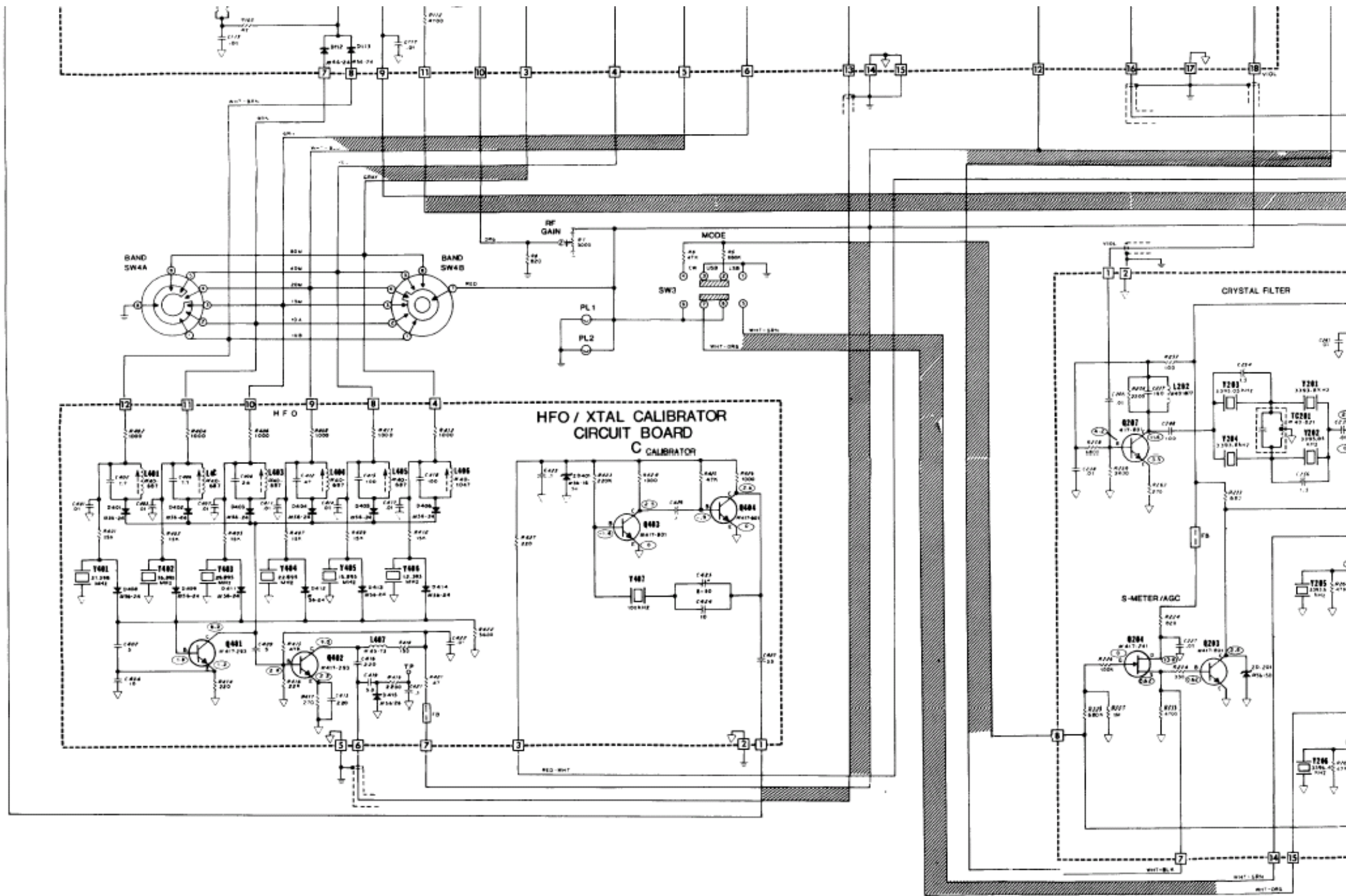
FRONT END CIRCUIT BOARD A

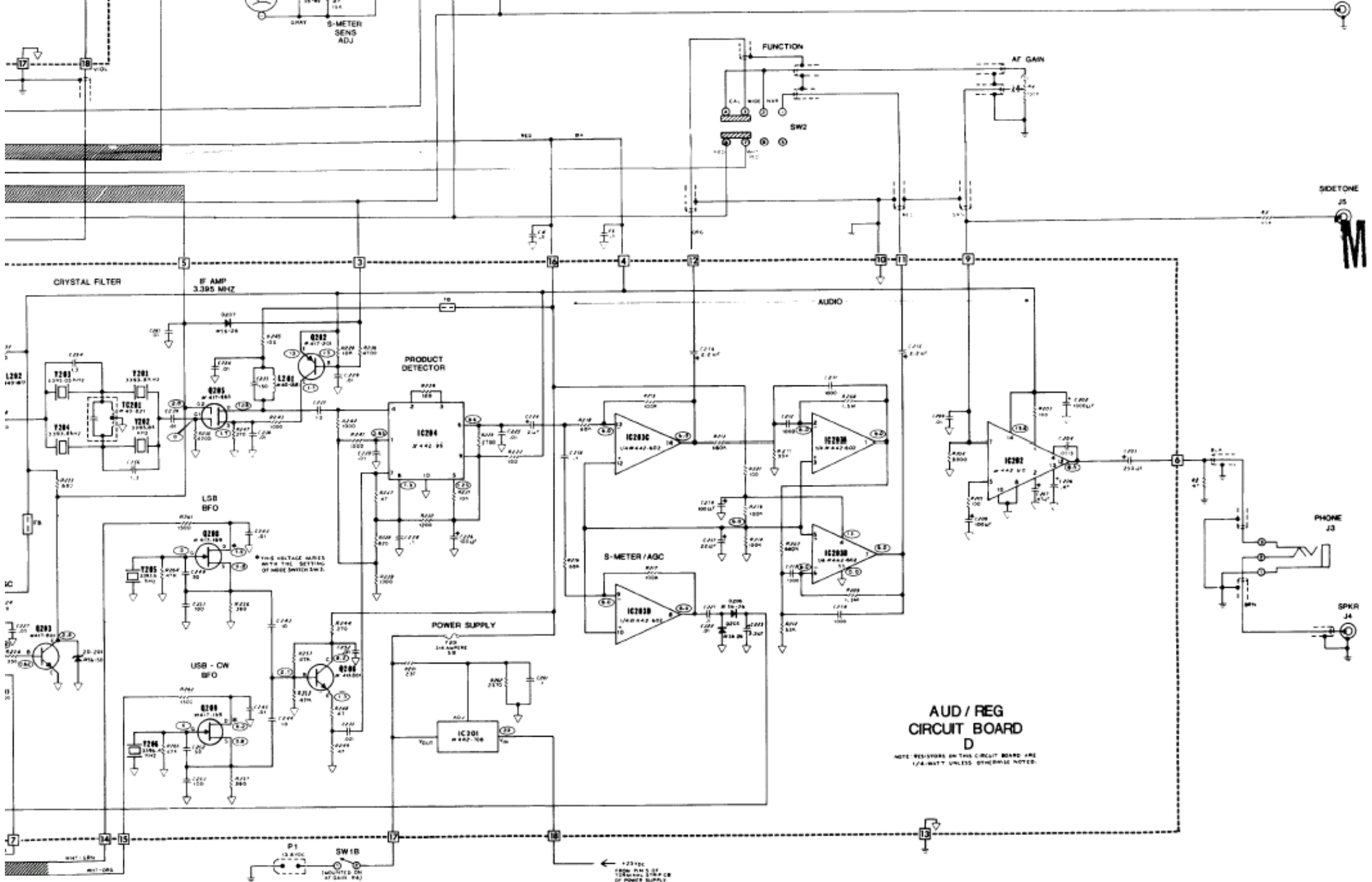


HFO / XTAL CALIBRATOR CIRCUIT BOARD C CALIBRATOR









**AUD / REG
CIRCUIT BOARD
D**

NOTE: RESISTORS ON THIS CIRCUIT BOARD ARE
1/4-WATT UNLESS OTHERWISE NOTED.

← 12.8VDC
FROM PIN 5 OF
100MHz 10A-PCB
OR POWER SUPPLY