

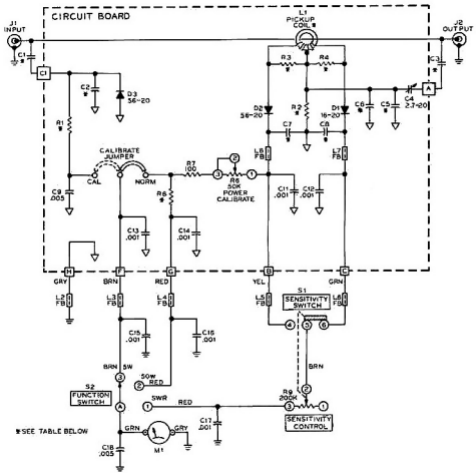
SCHEMATIC OF THE HEATHKIT® QRP WATTMETER MODEL HM-9

NOTES:

1. ALL RESISTORS ARE RATED AT 1/4-WATT AND HAVE A TOLERANCE OF 5% UNLESS OTHERWISE NOTED. RESISTOR VALUES ARE IN OHMS(k=1000).
2. CAPACITOR VALUES LESS THAN 1 ARE IN μ F(MICROFARADS); VALUES GREATER THAN 1 ARE IN pF(PICOFARADS) UNLESS OTHERWISE NOTED.
3. THE FUNCTION SWITCH IS SHOWN IN THE 5-WATT POSITION.
4. THE SWR SENSIVITY SWITCH IS SHOWN PUSHED IN.
5. ∇ THIS SYMBOL INDICATES A CIRCUIT BOARD GROUND.
6. \perp THIS SYMBOL INDICATES A CHASSIS GROUND.
7. \square THIS SYMBOL INDICATES A WIRE SOLDERED TO A CIRCUIT BOARD HOLE.

| | 1.8-30MHz | 50-540MHz | 144-148MHz |
|----|---------------------|---------------------|---------------------|
| C1 | 7.7pF | .54pF | .54pF |
| C2 | 100pF | 7.5pF | 7.5pF |
| C3 | 100pF | 7.7pF | 7.7pF |
| C5 | 150pF | 30pF | 30pF |
| C6 | 150pF | 30pF | 30pF |
| C7 | 1000pF | 100pF | 100pF |
| C8 | 1000pF | 100pF | 100pF |
| R1 | 63400, 1% | 84900, 1% | 54900, 1% |
| R2 | 3300 Ω | 2200 Ω | 2200 Ω |
| R3 | 47 Ω | 56 Ω | 56 Ω |
| R4 | 47 Ω | 56 Ω | 56 Ω |
| R8 | 45.3k Ω , 1% | 28.7k Ω , 1% | 30.9k Ω , 1% |
| L1 | 40-1970 | 40-1982 | 40-1982 |

CIRCUIT BOARD



* SEE TABLE BELOW