

INSTRUCTION MANUAL

ELECTRONIC LOAD

MODEL PLZ-300W

KIKUSUI ELECTRONICS CORPORATION

Kanagawa, Japan

CONTENTS

	<u>Page</u>
SECTION 1. GENERAL	1
1-1. Introduction	1
1-2. Specifications	2
SECTION 2. OPERATION	5
2-1. Notes Before Operation	5
2-2. Front and Rear Panel Descriptions	10
2-3. Initial Setting	13
2-4. Operation in the Constant Resistance Mode	14
2-5. Use of "×10" Range in the Constant Resistance Mode	17
2-6. Graph of Resistance Range and Power Limit Relation	18
2-7. Operation in the Constant Current Mode	20
2-8. Operation in the Switching Mode	22
2-9. Operation in the Constant Voltage Mode	24
2-10. Indication of Loading Power	27
2-11. Presetting the Power Limit	28
2-12. Remote Control with an External Resistance (Constant Resistance or Constant Current)	29
2-13. Remote Control with an External Voltage (Constant Current only)	30
2-14. Remote Control of Load Switch by an External Terminal	31
2-15. One-control Parallel Operation	31
SECTION 3. OPERATING PRINCIPLES	34
3-1. Constant Current Operation	34
3-2. Constant Resistance Operation	34
3-3. Block Diagram	36

	<u>Page</u>
SECTION 4. MAINTENANCE	37
4-1. How to Open the Chassis Case	37
4-2. Inspections and Cleaning	37
4-3. Calibration	38
WARRANTY	41

On Power Supply Source, it is requested to replace the related places in the instruction manual with the following items.

(Please apply the item of \checkmark mark)

- Power Supply Voltage: toV AC
- Line Fuse: toA
- Power Cable: to 3-core cable (See Fig. 1 for the colors)

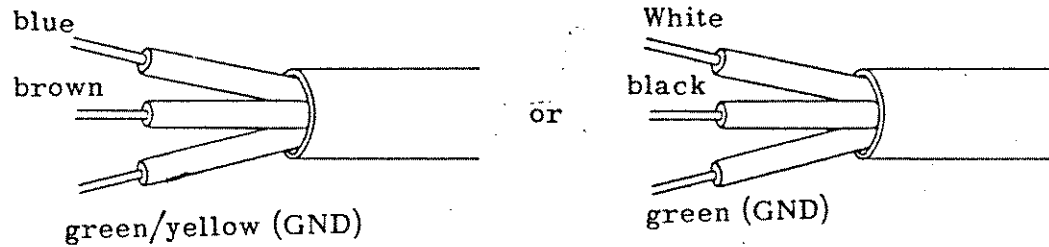


Fig. 1

Please be advised beforehand that the above matter may cause some alteration against explanation or circuit diagram in the instruction manual.

* AC Plug : In case of the Line Voltage 125V AC or more, AC Plug is in principle taken off and delivered, in view of the safety.

(AC Plug on 3-core cable is taken off in regardless of input voltages.)

Before using the instrument, it is requested to fix a suitable plug for the voltage used.

SECTION 1. GENERAL

1-1. Introduction

Series PLZ-W Electronic Loads can be operated in constant resistance mode, constant current mode and switching action electronically, replacing the conventional sliding resistors (rheostats). Major features of the PLZ-W series are as follows:

1. Digital Meters.

A digital voltmeter and an ammeter with an autorange of 3 1/2 digits.

2. A 10-Turn Multi-Dial.

Current values and resistance values may be set very precisely with the 10 turn multi-dial having a lock mechanism.

3. Function of Presetting.

Current and resistance values may be preset.

4. Built-in Oscillator for Switching Action.

To be used in the constant current mode. Switching action occurs within the frequency range of 10 Hz - 1 kHz.

5. Display of Loading Power.

Supplied power value is displayed in a digital figure and in the form of luminescent bar graph.

6. Remote Control Functions.

When operated in the constant current mode the instrument may be remotely controlled by either an external voltage or an external resistance. The instrument may also be remotely controlled by an external resistance when operated in the constant resistance mode.

7. One-controlled Parallel Operation.

It is possible to increase current capabilities by operating a number of units connected in parallel simultaneously under the control of a master unit.

8. Protection Circuits Include:

Overvoltage, overcurrent, overpower, overheating, and input terminal connection in reverse polarity.

The PLZ series is offered as a portable desk-top unit and may be integrated into a 19 inch or 500 mm Kikusui standard rack, with the use of the option brackets.

1-2. Specifications

Power Requirements.

Line voltage: 120 V AC \pm 10% 50/60 Hz single phase
Power consumption: Approx. 35 VA (at 120 V AC)

Input.

Loading voltage: 4 - 60 V DC
Loading current: 0 - 60 A
Maximum loading power: 300 W

Operating ambient temperature range: 0 - 40°C (32 - 104°F)

Operating ambient humidity range: 10% - 90% RH

Cooling method: Forced air cooling by means of fan

Isolation from ground: \pm 250 V DC

Modes.

Constant current mode: 0 - 60 A (1st range)
0 - 6 A (2nd range)

Constant resistance mode: 10 - 100 m Ω (1st range) (minimum 0.06 Ω)
0.1 - 1 Ω (2nd range)
1 - 10 Ω (3rd range)
10 - 100 Ω (4th range)

Constant voltage mode: 5 - 60 V DC

Constant Current Characteristics.

Stability: 0.1% + 6 mA for loading voltage variation from 4 to 60 V

0.1% + 6 mA for line voltage variation by $\pm 10\%$

Ripple and noise: 5 mA RMS

Temperature coefficient: 0.02%/°C (standard value)

Rise/fall time: 100 μ sec or less (when an internally installed oscillator is used).

Constant Resistance Characteristics.

Stability: $\pm 10\%$ loading voltage variation:

(Stability)	(Input Voltage Variation)	(Setting resistance)
	4 - 10 V	1 Ω
	4 - 40 V	10 Ω

Stability $\pm 10\%$ variation of line voltage: 0.1% + 6 mA

Temperature coefficient: 0.03%/°C standard value (at the minimum resistance value of a range).

Remote Control.

Constant current: External resistance 0 - 1000 Ω

External voltage 0 - 10 V DC

Constant resistance: External resistance 0 - 1000 Ω

Constant voltage: External voltage 0 - 10 V DC

Protecting Functions.

Overvoltage protection: Approx. 65 V DC

Overcurrent protection: Approx. 65 A DC

Overpower protection: Approx. 330 W

Wrong polarity input protection: By use of a diode

Overheating protection: 100°C $\pm 5^\circ$ C at cooling package

Line input fuse rating: 1 A

Meters.

Maximum significant number for display: 1999

Ammeter accuracy: $\pm(0.5\%$ of reading + 0.1% of F.S + 1 digit)
at 20°C $\pm 10^\circ\text{C}$

Voltmeter accuracy: $\pm(0.1\%$ of reading + 0.1% of F.S + 1 digit)
at 20°C $\pm 10^\circ\text{C}$

Power meter accuracy: $\pm(3\%$ of F.S + 1 digit) at 5 V or more and
5 A or more

Constant voltage mode display: Yellow LED

Parallel operation: Control by one unit (master unit) is
possible

Oscillator.

Frequency: 10 - 100 Hz (1st range)
0.1 - 1 kHz (2nd range)

Duty ratio: 20 - 80% or more (continuously variable)

Insulation resistances

Between chassis and line: 500 V DC, min. 30 M Ω

Between chassis and input terminals: 500 V DC, min. 20 M Ω

Dimensions: 220W \times 165H \times 455D (mm) (largest parts)

Weight: Approx. 10 kg

Instruction manual: One copy (in carton)

SECTION 2. OPERATION

The Model PLZ-300W is equipped with the complete derating function and protection features for consideration of various uses. However, in order to make the best use of the performance of this model while protecting the unit from unanticipated damages, the following items (points) on usage must be understood.

2-1. Notes Before Operation.

1. AC Power Requirements.

Connect the power supply cable to a single phase 108 - 132 V, 48 - 62 Hz power source.

2. Input Condition.

- o The loading voltage applied to the electronic load must be DC voltage. Never apply AC voltage.
- o The range of loading voltage to be applied is between 4 V and 60 V. (See Fig. 2-1-1).

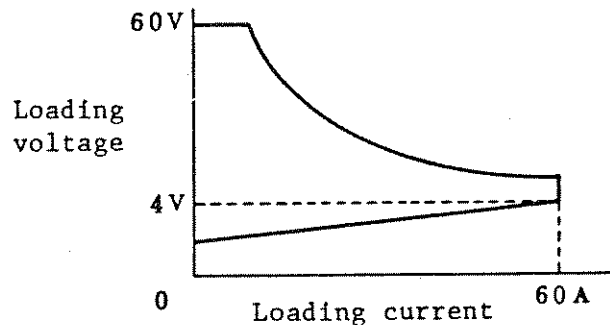


Figure 2-1-1

- o The polarity of the input terminal connection must be correct. If the input lines are connected in such a way that the polarity is reversed, the current will flow through a diode that is installed in parallel for main circuit protection. However, the wrong connection should be corrected immediately.
- o Note that if high level ripples and/or pulse-natured voltage in superposition exist instantaneous voltage may exceed the limit of loading voltage such that normal operation may be impaired.

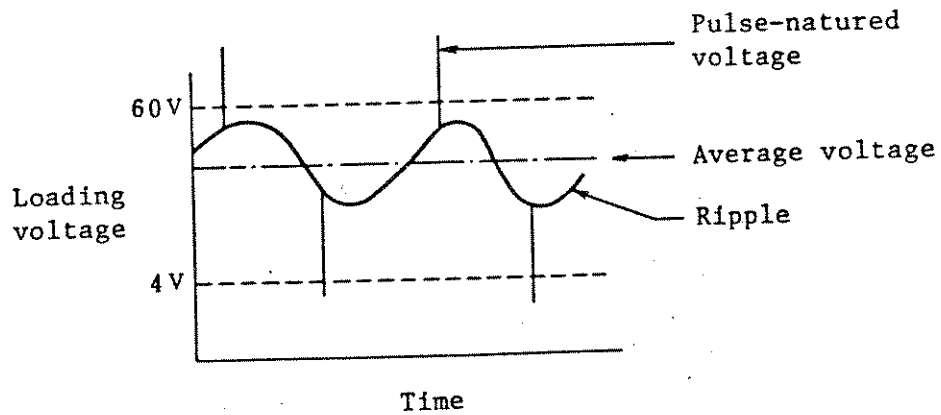


Figure 2-1-2

3. Loading Wire.

In the switching mode, distortion in current wave forms may occur due to a voltage drop below the minimum loading voltage caused by the inductance of parts of the cable line where the value of current changes suddenly. (See Fig. 2-1-3). Use cables as large in diameter and as short as possible to make the wiring connection to a load. Also, the positive and negative lines should be interlaced together to cancel inductance.

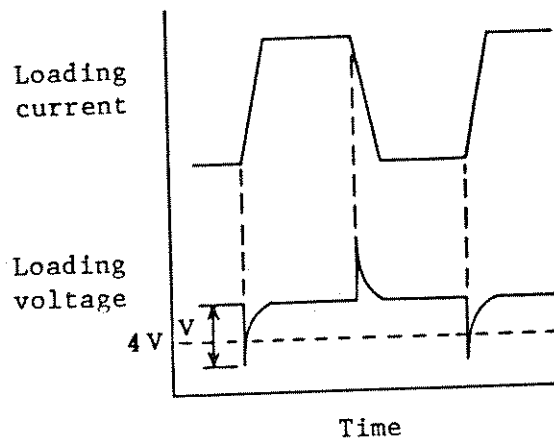


Figure 2-1-3

$$V = L \frac{di}{dt}$$

where, L: inductance of wiring (H)

$\frac{di}{dt}$: current change per time change (A/sec.)

Note: Current wave forms will be impaired when loading voltage drops to a value lower than 4 V due to a voltage drop (V) caused by inductance L.

For example, if a 4 m, 8 mm² cable is used for connecting a load, the output voltage value of a tested power supply source has to be 4 - 10 V, depending on the current to meet the voltage drop across the load.

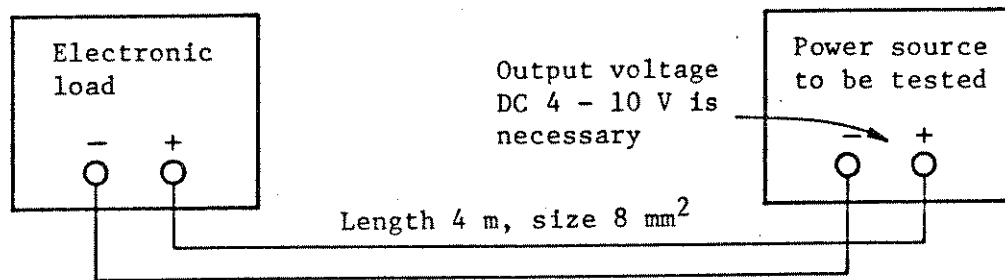


Figure 2-1-4

An insufficient output voltage of a tested power source causes an insufficient loading voltage to the electronic load due to the combined effect of the inductance and the ohm resistance of the wirings as explained previously, such that overshoot will occur on the current wave form as shown in Fig. 2-1-5. In such a case, increase the output voltage level of the tested power source, but use caution so that maximum power value does not exceed 300 W.

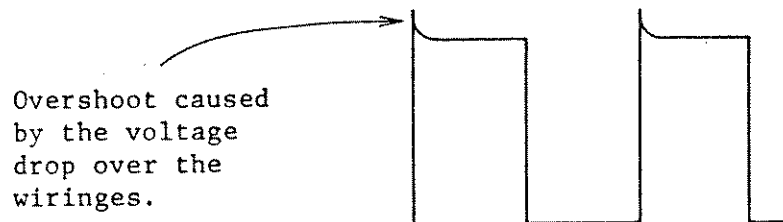


Figure 2-1-5

Incidentally, if the maximum power capacity of an electronic load is exceeded under the switching mode, the electronic load unit will be protected by the automatic power supply limiting function. However, do not continue operation under such conditions. A current wave form in such a state is shown in Fig. 2-1-6.

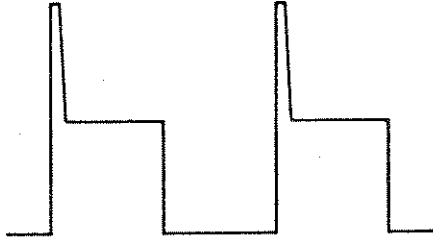


Figure 2-1-6

4. Ambient Temperature Range.

Operation of the instrument should be within a temperature range of 0 - 40°C. If operating temperature is abnormally high or if the fan blowout channel and/or the ventilation channel is blocked by objects, the current will be automatically cutoff by an installed temperature sensor. If this occurs, cool down the surrounding temperature and/or improve ventilating conditions, to correct the condition.

5. Selection of Installation Site.

Select a place where the ventilating channels and the blowout channel of the fan will not be blocked, and where there is as little vibration as possible.

6. Rear Terminal Board.

On the back panel, the load input terminals and the control terminals board are installed. The use of each control terminal is shown in Fig. 2-1-7.

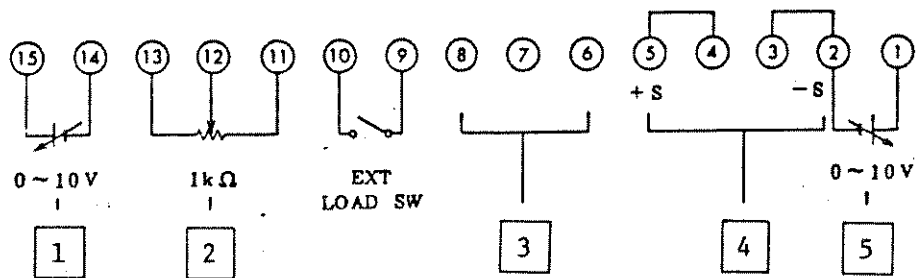


Figure 2-1-7

- 1 Constant current external voltage control input.
- 2 Constant current external resistance control.
- 3 One-controlled parallel operation input/output.
- 4 Constant voltage mode, sensor terminal.
- 5 Constant voltage mode, external voltage control.

2-2. Front and Rear Panel Descriptions:

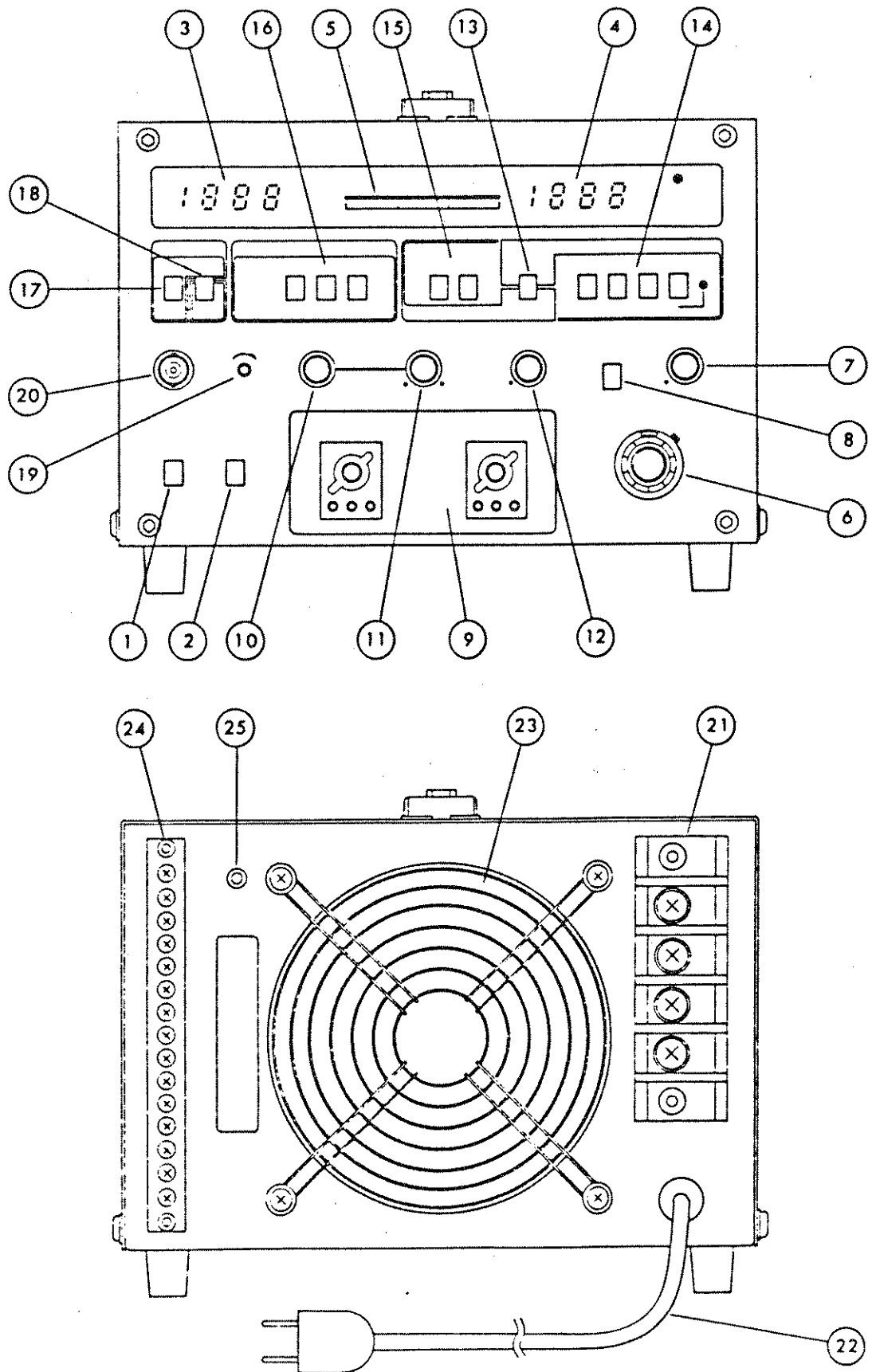


Figure 2-2-1

Description of Panel Items

- ① POWER. Power supply switch.
- ② LOAD. DC input switch. Will be automatically turned off when the overvoltage and/or overheat protection circuit operates.
- ③ AMMETER. A 3-1/2 digit digital ammeter with an auto range. Input current value and preset value of current and resistance are indicated.
- ④ VOLTMETER. A 3-1/2 digit digital voltmeter. Loading voltage and loading power are indicated.
- ⑤ POWER INDICATOR. Normally indicates loading power. However, by depressing PRESET W button, power limit value will be indicated.
- ⑥ CURRENT I/RESISTOR. A 10-turn multi-dial to vary loading current value and load resistance value. Turning clockwise increases current value and decreases resistance value.
- ⑦ CURRENT II. A 5-turn dial to vary loading current II. Turning clockwise gives an increased current value. Used for setting bias current for switching mode.
- ⑧ MANUAL SW. Switch to select CURRENT I or CURRENT II. Selection of load CURRENTS I or II is made manually.
- ⑨ DC INPUT. Input terminals of the load.
- ⑩ FREQUENCY. Dial to adjust switching frequency. Frequency is increased as the dial is turned clockwise.
- ⑪ DUTY. Duty control dial of switching wave form.

- ⑫ CV MODE. A shunt regulator-type constant voltage power source. It is available by connecting to a constant current power source. Turning the dial clockwise starting from OFF position will increase loading voltage in the range from 5 V to 60 V. A yellow LED will be turned on at CV mode. (See details in 2-9.)
- ⑬ MODE. Switch to select the constant current (C.C) mode or the constant resistance (C.R) mode.
- ⑭ C.R RANGE. Switch to change resistance range in at the constant resistance mode. Switching to the 100 to 1000 Ω range is made by using the terminal board on the rear panel.
- ⑮ C.C RANGE. Switch to change the range for constant current mode.
- ⑯ FUNCTION. Either of the following four constant current modes may be selected: EXT (External Voltage Control), INT (Manual Control), SW (Switching Operation), and DC (DC Operation).
- ⑰ PRESET. By depressing this switch, current value or resistance value will be indicated on the digital ammeter depending on the state of the mode switch. At the constant current mode, current value may be preset by either CURRENT I or CURRENT II dial which is selected by the manual switch. At the constant resistance mode, resistance value may be preset by the CURRENT/RESISTOR dial.
- ⑱ PRESET W INPUT POWER. Loading power (watt) is indicated on the voltmeter while power limit value is indicated on the power indicator.
- ⑲ POWER LIMIT. Semi-fixed adjuster to change power limit value. The value may be set by use of the power indicator while depressing PRESET W switch.

- ②① CURRENT MONITOR. Current monitor terminals (10 mV/A). At the switching mode, current wave form and switching frequency and duty may be adjusted through an oscilloscope.
- ②② DC INPUT. Rear panel input terminals installed in parallel connection to DC INPUT terminals on the front panel. The highest range of the constant resistance mode may be set at 100 to 1000 Ω by combination of the short pieces, $\times 10$ and $\times 1$.
- ②③ 120 V AC 50/60 Hz. Power supply cable.
- ②④ Fan Blowout Opening. Air blowout opening of clean package. Do not place anything sensitive to heat around the unit, since hot air is expelled. Also, be certain to place the unit at a distance of 30 cm or more from the wall.
- ②⑤ Terminal Base. The terminal base is installed for external controls. (See Fig. 2-1-4). Terminals for the following operations are installed: External voltage control and resistance control under the constant current mode; external voltage control, sensing and one-controlled parallel operation; sensing under the constant voltage mode; and external control of the LOAD switch.
- ②⑥ Option Unit Installation Holes. Screwed holes for installing the DPO series (Digital Programmable Options).

2-3. Initial Setting.

Each dial and switch should initially be set according to the following steps:

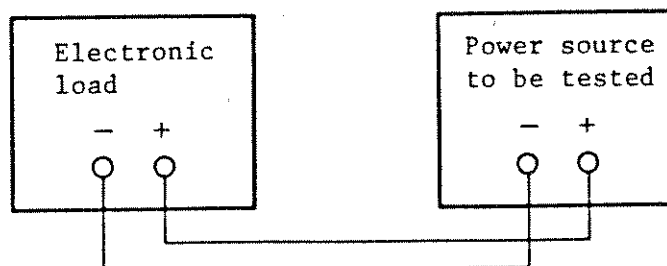
- | | | |
|----------|------------------------|---|
| Step 1. | ① POWER Switch | OFF |
| Step 2. | ② LOAD Switch | OFF |
| Step 3. | ⑥ CURRENT I/RESISTOR | Counterclockwise extreme position |
| Step 4. | ⑧ MANUAL SW Switch | Up position, CURRENT I |
| Step 5. | ⑦ CURRENT II Dial | Counterclockwise extreme position |
| Step 6. | ⑫ CV MODE Dial | OFF position at the counterclockwise extreme position |
| Step 7. | ⑬ MODE Switch | Down position, C.R. RANGE |
| Step 8. | ⑭ C.R. RANGE Switch | 0.1 - 1 Ω |
| Step 9. | ⑮ C.C RANGE Switch | 60 A |
| Step 10. | ⑯ FUNCTION INT EXT | Up position, INT |
| Step 11. | ⑯ FUNCTION DC SW | Up position, DC |
| Step 12. | ⑯ FUNCTION 10 - 100 Hz | .1 - 1 kHz (Up position) |

After the above settings have been completed, proceed to the steps described in the following section (2-4).

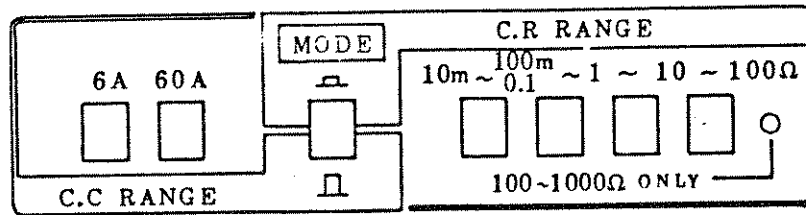
2-4. Operation in the Constant Resistance Mode.

The instrument has characteristics similar to an ohmic resistance.

1. Connect the power supply plug to the AC line (120 V 10%, 50/60 Hz).
2. Turn on the POWER switch. But keep the LOAD switch in the off position.
3. Connect the DC INPUT terminals to the voltage source to be tested according to fig. 2-3-1.



4. Set the MODE switch to the C.R RANGE and the range switch at a desired value of resistance.



"DOWN" Position: Resistance mode
 "UP" position: Constant current mode

Figure 2-3-2

A locking-type push button. DOWN Position: Resistance mode;
 UP Position: Constant current mode.

5. Turn on the LOAD switch for current flow. The current value may be adjusted by the CURRENT I/RESISTOR 10-turn multidial. Turning it clockwise will decrease the resistance value and increase the current value. A resistance value may be preset beforehand. The method is discussed in 6.

6. Method of Presetting a Resistance Value.

- 1) Select a value to be preset in the CR range. Depress the A/Ω switch and the resistance value will be indicated on the digital ammeter A/Ω.

Note: A resistance value to be preset is an approximate value. There is a 3% error at the minimum resistance of a range, and a 30% error at the maximum resistance of a range.

- 2) While depressing PRESET A/Ω switch, preset a resistance value with the CURRENT/RESISTOR dial.

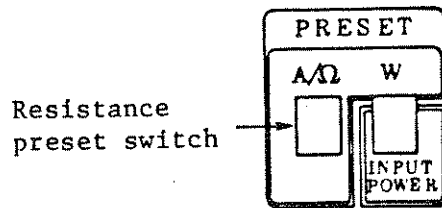


Figure 2-3-3

7. Characteristics of Input Impedance in the Resistance Mode.

The value of resistance is kept constant with DC, while it may vary with AC. The typical input impedances available under the resistance mode of this PLZ-300W unit are shown in Fig. 2-3-4. The nature of these impedances are similar to the impedance characteristics of a common sliding resistor (Slidak) except that more capacitance will appear at higher resistance.

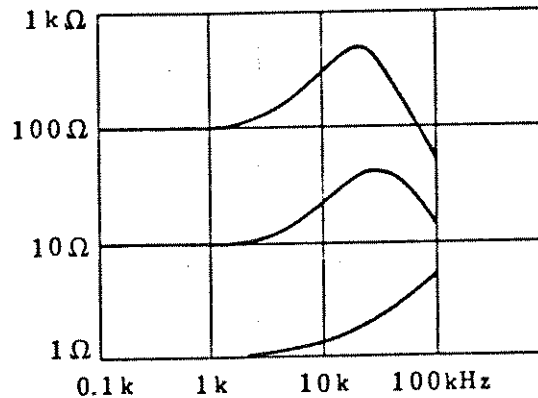


Figure 2-3-4 Impedance Characteristics of PLZ-300W

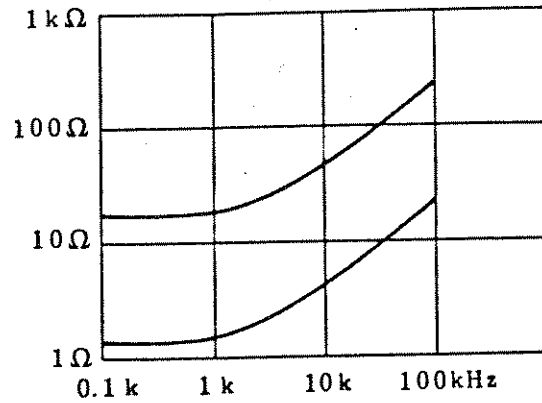


Figure 2-3-5 Impedance Characteristics of a Common Sliding Resistor

2-5. Use of "×10" Range in the Constant Resistance Mode

When using the 100 - 1000 Ω range, follow the following steps. But keep the POWER switch turned off.

Step 1. Move the short piece on DC INPUT terminal on the back panel from "×1" to "×10."

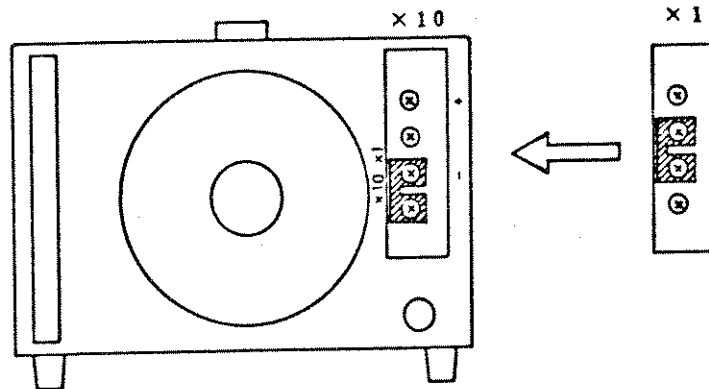


Figure 2-5-1

Step 2. The LED of the 100 - 1000 Ω range shown in Fig. 2-5-2 should be lit. Use the 10 - 100 Ω button for switching to the other ranges.

Note: The 100 - 1000 Ω range has a tendency of having poorer linearity than the other ranges.

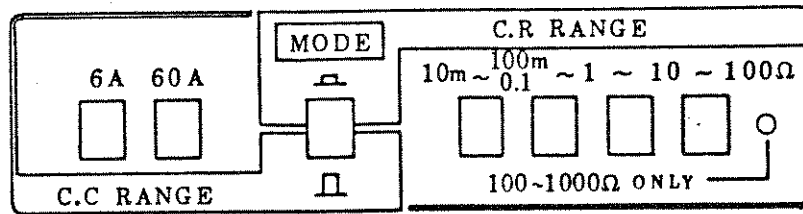


Figure 2-5-2

2-6. Graph of Resistance Range and Power Limit Relation.

This unit may be used within the limits shown by Fig. 2-6-1. If the limit is exceeded, the protecting circuit will function automatically. (See the following detailed illustrations.)

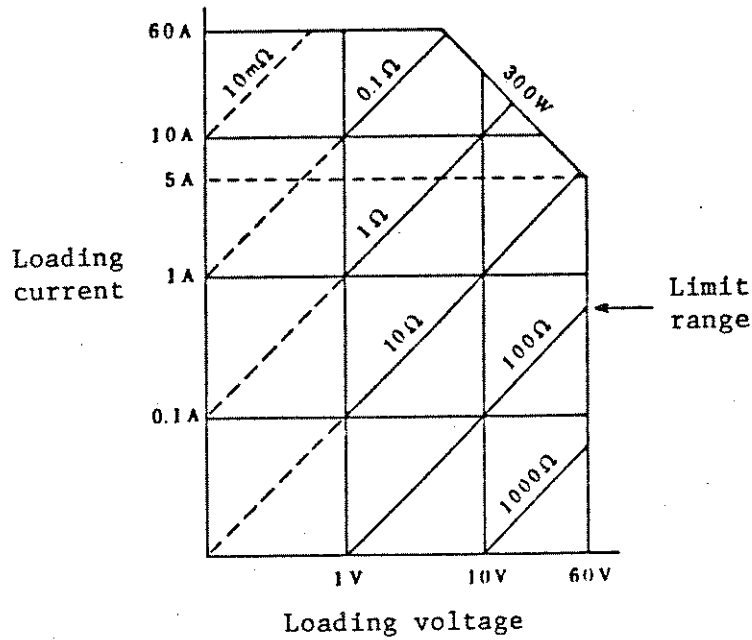


Figure 2-6-1

Relation between resistance range and power limiter.

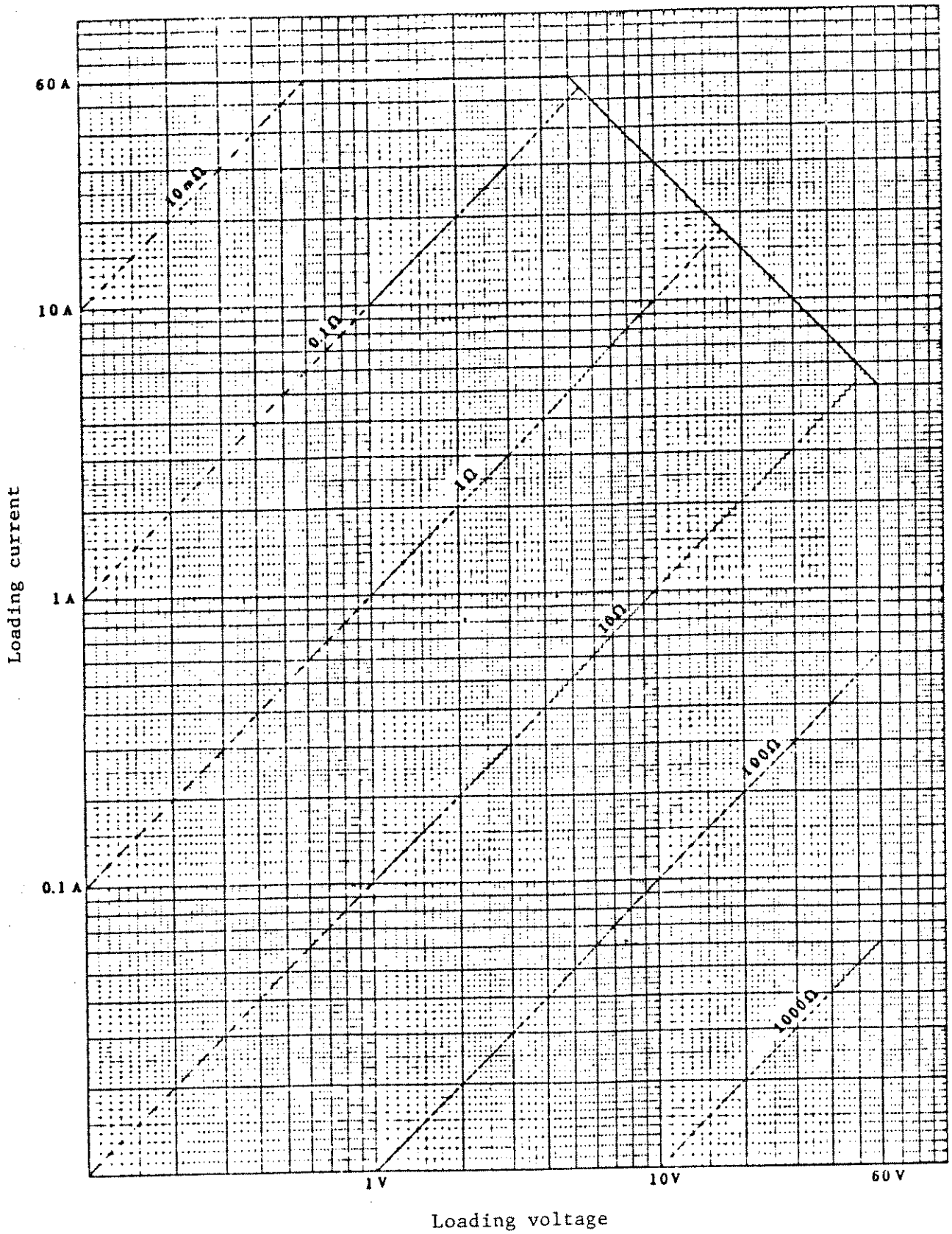


Figure 2-6-2 Magnified illustration of Fig. 2-6-1

2-7. Operation in the Constant Current Mode.

- o Constant current characteristics are provided. A constant value of current will be supplied to the loading voltage in the range of 4 V - 60 V DC.
- o Control by external voltage and switching action may be performed.

Step 1. Connect the power cord to an AC line voltage of 120 V \pm 10%, 50/60Hz.

Step 2. Turn on the POWER switch. But keep the LOAD switch in the off position.

Step 3. Connect the DC INPUT terminals of this unit to the power source to be tested, see Fig. 2-7-1.

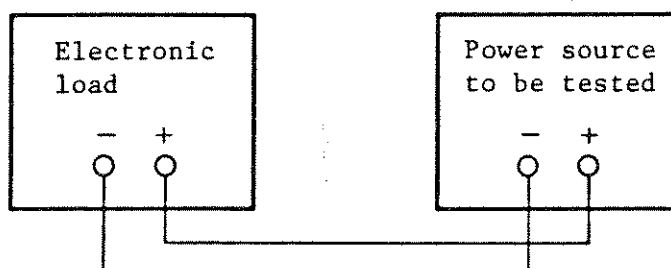
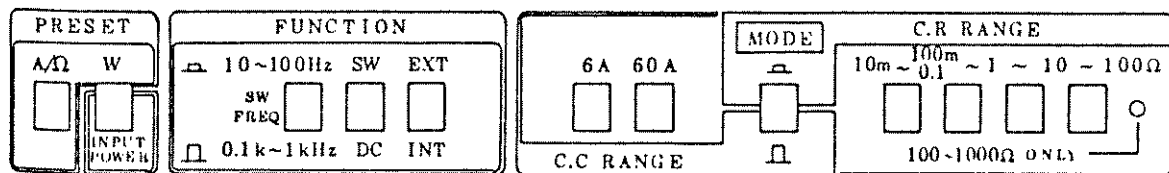


Figure 2-7-1

Step 4. After setting the MODE switch to C.C RANGE, set the range switch at a desired value.

Step 5. Set EXT/INT switch of FUNCTION to INT, and set SW.DC switch to DC.



"DOWN" Position: Resistance mode;

"UP" Position: Constant current mode.

Figure 2-7-2

Step 6. Set the MANUAL SW switch to "CURRENT I."

Step 7. Turn on the LOAD switch to initiate current flow.

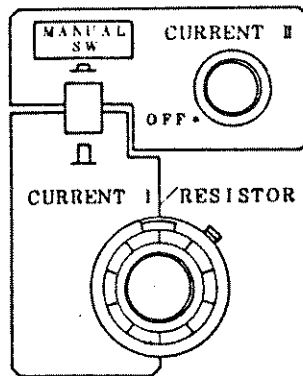


Figure 2-7-3

Step 8. The current value may be varied with the CURRENT I/RESISTOR multi-dial.

Step 9. With the MANUAL SW switch set at "CURRENT II," the current value may be varied with the CURRENT II dial. When the MANUAL SW switch is turned, either CURRENT I or CURRENT II may be used accordingly.

How to Preset a Current Value.

A current value may be preset according to the following steps:

Step 1. Turn off the LOAD switch. Or leave the unit under test disconnected.

Step 2. Depress the PRESET A/ Ω switch, and the current value will be indicated on the digital ammeter.

Step 3. Set a desired current value with the CURRENT I multi-dial or with the CURRENT II dial.

Step 4. After a unit is connected, turn on the LOAD switch and the preset value of current will be supplied.

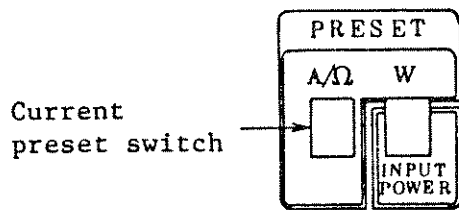


Figure 2-7-4

Characteristics of Impedance in Constant Current Mode.

This unit has an ideal constant current characteristic in the DC range. However, the impedance will be lowered in the AC range as the frequency increases. Fig. 2-7-5 shows the typical input impedance characteristics, in which the impedance starts to fall at 10 kHz.

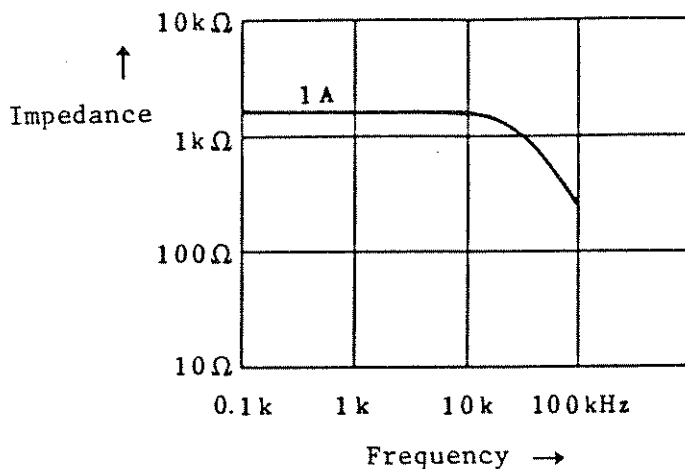


Figure 2-7-5

2-8. Operation in the Switching Mode.

Switching of the constant current mode is possible.

Step 1. Set the SW/DC portion of the FUNCTION switch to the "SW" (DOWN) position.

Step 2. After pressing the preset (A/Ω) button, set a desired current value with the CURRENT I and II dials.

- Step 3. Set the FREQ portion of the FUNCTION switch to a desired frequency range.
- Step 4. Turn on the LOAD switch.
- Step 5. The switching frequency may be varied with the FREQUENCY dial, switching duty cycles may also be varied with the DUTY dial.

Through an oscilloscope connected to the CURRENT MONITOR terminals, frequency and duty (values) may be observed (only during operation).

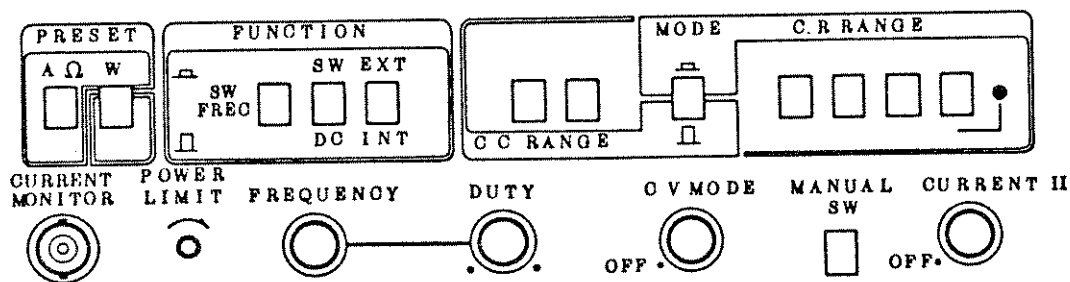


Figure 2-8-1

In the switching mode the two respective current values set by CURRENTS I and II will be taken alternately. The action of the MANUAL SW switch, which is mentioned in the preceding 2-7., Step 8., is performed electronically with the use of an oscillator.

Note: If the preset button (A/Ω) is depressed during switching operation, the switching action will be interrupted and the preset value of current will be indicated.

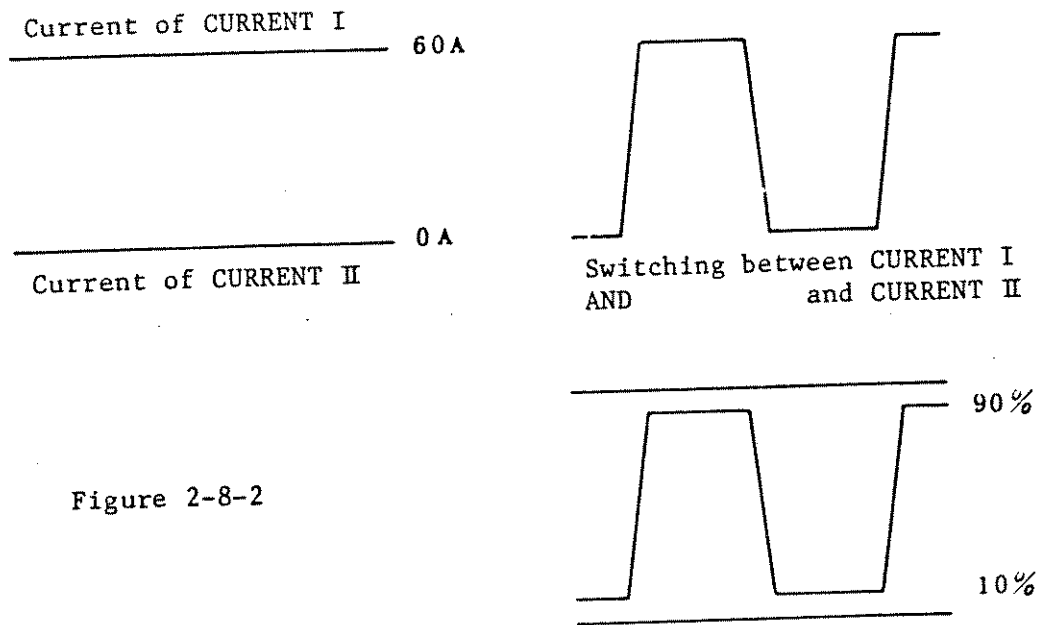


Figure 2-8-2

As shown in the illustration at the bottom right corner of Fig. 2-8-2, a test for setting at the 90% value of CURRENT I and the 10% value of CURRENT II may be easily performed, for example. The interval period of CURRENTS I and II may be adjusted as shown in Fig. 2-8-3, using the duty control dial.

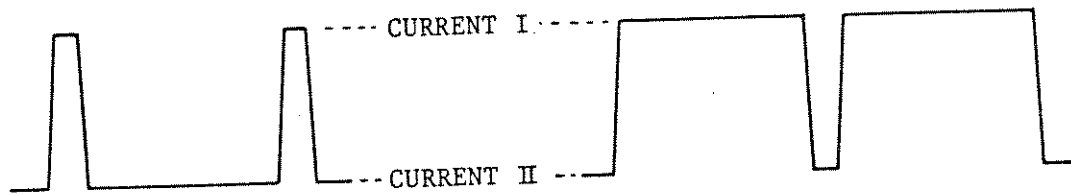


Figure 2-8-3

2-9. Operation in the Constant Voltage Mode.

1. This mode is available by applying a constant current power source to the DC INPUT terminals with the shunt regulator method. This mode is used mainly for tests and adjustments of the current limit characteristics of a DC constant voltage stabilizing power source having power capacity of 300 W or less. Fig. 2-9-1 shows the basic circuit diagram.

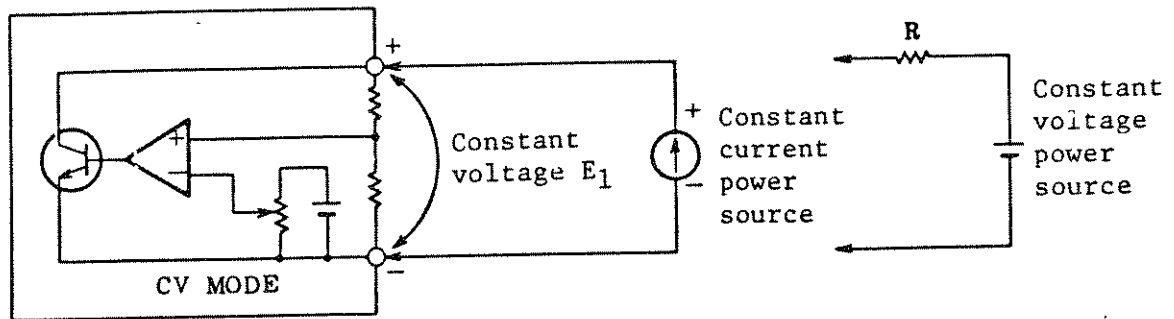


Figure 2-9-1

As shown by the Fig. 2-9-1, connecting a constant voltage power source, to which a constant current power source or an impedance is connected in series, a shunt regulator is constituted. The value of the constant voltage E_1 may be varied within the range of 5 V - 60 V DC with use of the CV dial. A yellow LED will be lit during the CV mode. The operating method for the constant voltage mode is explained below:

Step 1. Set dials and switches as follows:

MODE	CC/60 A
FUNCTION	DC, INT
MANUAL SW	CURRENT I
CURRENT I	Turn clockwise to the extreme position.
Power Limiter	300 W

Step 2. Turn the CV mode dial clockwise from the "OFF" position to disconnect the switch.

Step 3. Connect the power supply source to the unit. Observe correct terminal polarity.

Step 4. Turn the POWER switch and the LOAD switch on.

Step 5. Set a desired voltage value with the CV mode dial. (See Fig. 2-9-3). A yellow LED will be lit during the constant voltage mode. If the LED is not lit one of the following may be the cause:

- a. The unit is not in the constant voltage mode.
 - b. The power source, which is connected to this unit for test, has a current limit of 60 A or more.
 - c. Output power capacity of the power source to be tested exceeds 300 W.
2. Remote Sensing for Setting an Loading Voltage Value Precisely.

Remove the jumpers connecting terminals 2 and 3, and terminals 4 and 5, which are on the terminal board on the rear panel. Connect terminal 4 to the positive stabilizing point, and terminal 3 to the negative stabilizing point, use shielded cables. (The shield shell should be connected to terminal 2. See Fig. 2-9-2.)

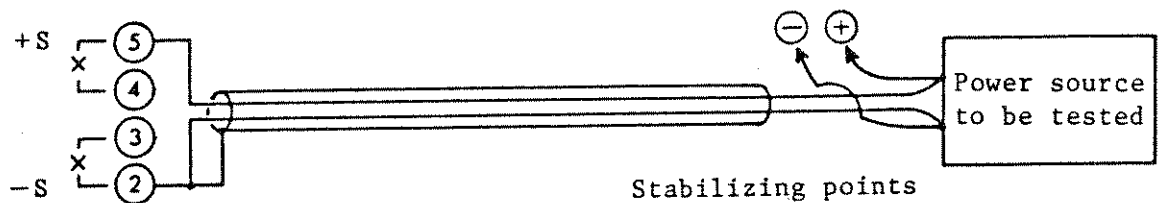


Figure 2-9-2

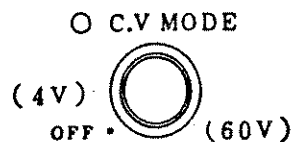


Figure 2-9-3

The loading voltage will be increased as the CV dial is turned clockwise. For example, if there is a power source to be tested with the output capacity of 10 V/10 A and it is desired to alter the output to 9 V/11 A, proceed as follows:

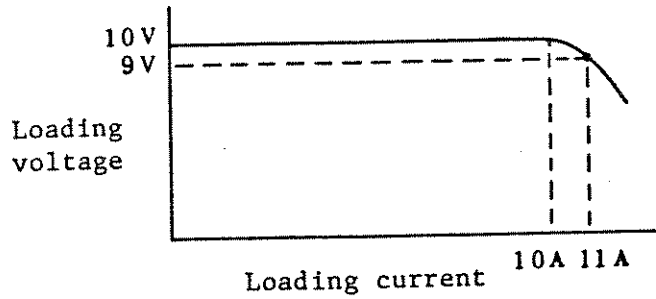


Figure 2-9-4

- a. Set the output voltage value of the power source to be tested to 9 V, by adjusting the CV mode dial. This voltage is indicated on the digital voltmeter of the electronic load.
- b. Adjust the current limit value of the power source under test, to 11 A.

The above method may be applied to any current control method, including the example cases shown in Fig. 2-9-5.

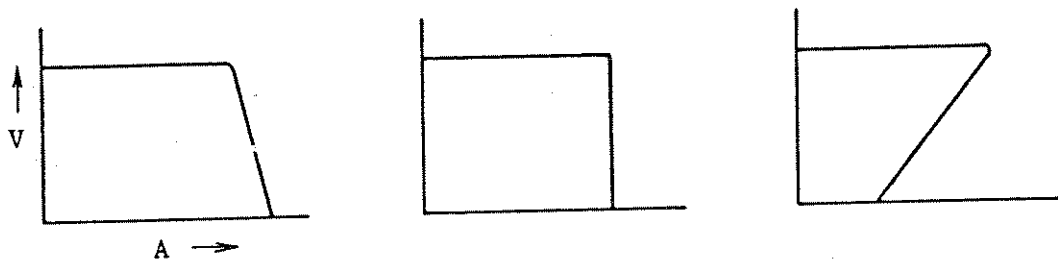


Figure 2-9-5

2-10. Indication of Loading Power.

1. Loading power to the electronic load is indicated on the power indicator. But the value also may be indicated in digital figures with the precision of $\pm 3\%$ F.S + 1 digit. The loading power indicator/switch in Fig. 2-10-1 is commonly used for presetting the power limit.

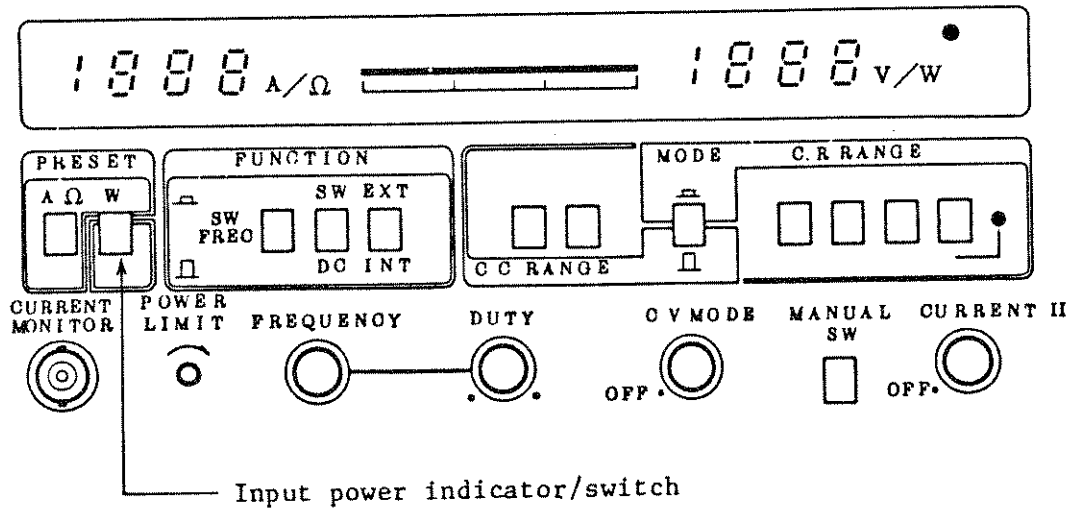


Figure 2-10-1

2-11. Presetting the Power Limit.

The power limit of the electronic load has been set at 300 W. However, any desired value lower than that may be set with the half fixed POWER LIMIT adjuster on the panel. Power limit adjustments can be done as follows:

- Step 1. Turn the load switch to the off position.
- Step 2. Press the PRESET W switch, and the power indicator will light up to the 300 W range.
- Step 3. While pressing the PRESET W switch, turn the POWER LIMIT dial counterclockwise using a small screw driver. The value on the indicator will be decreased, and set at a desired value. However, setting a power limit by the above method cannot be performed with high precision because of the low resolution of the bar graph. For a precise setting, after loading, adjust the power limit while referring to the digital indication of loading power on the voltmeter.

2-12. Remote Control with an External Resistance (Constant Resistance or Constant Current)

The CURRENT I/RESISTOR part of the panel may be controlled externally by a remote control system employing a variable resistor.

1. To have access to the internal operation/external operation switch which is installed inside the unit case remove the top cover. (See Fig. 2-12-1.)

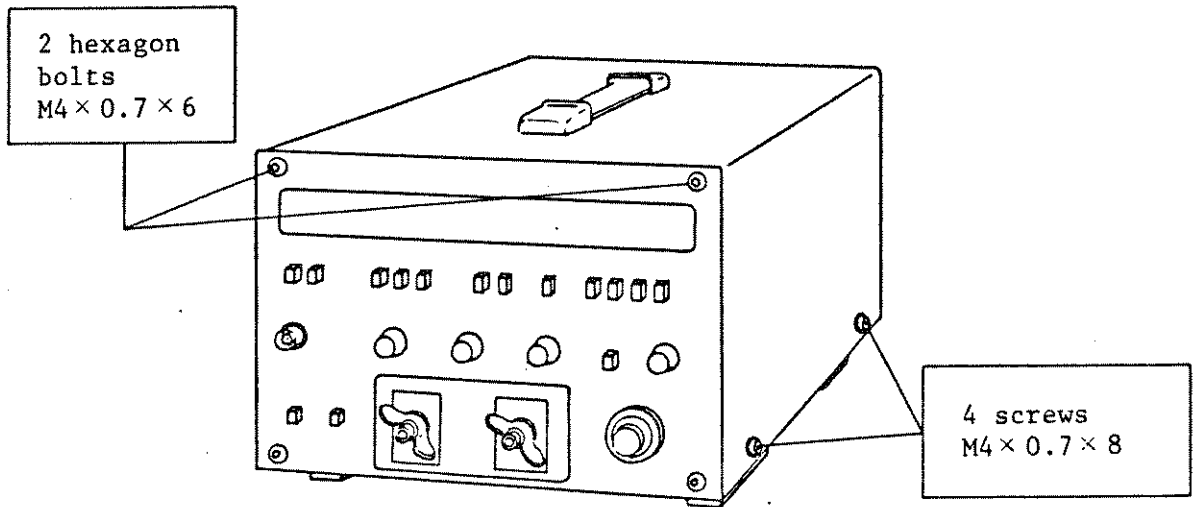


Figure 2-12-1

2. Set the slide switch on the printed circuit board to "EXT". See Fig. 2-12-2.

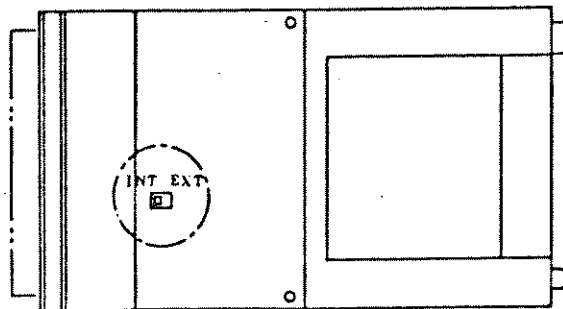


Figure 2-12-2

3. Connect a 1 k Ω variable resistor to the terminal board on the rear panel, as shown in Fig. 2-12-3. The variable resistor should be a 10-turn potentiometer.

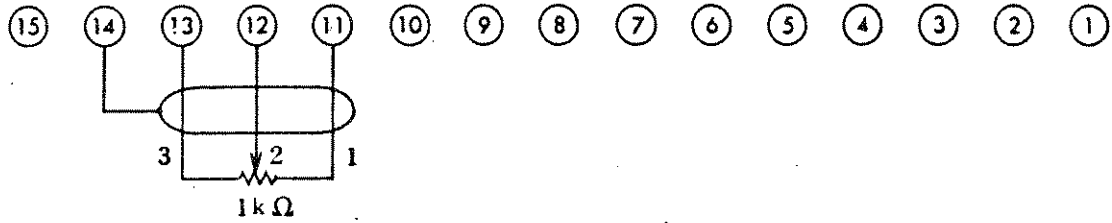


Figure 2-12-3

2-13. Remote Control with an External Voltage (Constant Current only).

1. Set the panel switches as follows:

FUNCTION	DC, EXT
MANUAL SW	CURRENT I
MODE	C.C (60 A range)

2. Turn the CURRENT I dial clockwise to the extreme position.
3. Apply the controlling voltage between terminals 14 and 15 on the rear panel, as shown in Fig. 2-13-1.
4. The relation between control signal voltage and loading current is adjusted such that the corresponding current to an input of 10 V, will be 60 A, as indicated in Fig. 2-13-2. The current value may be decreased with the CURRENT I dial. The control signal voltage should not exceed 10 V.

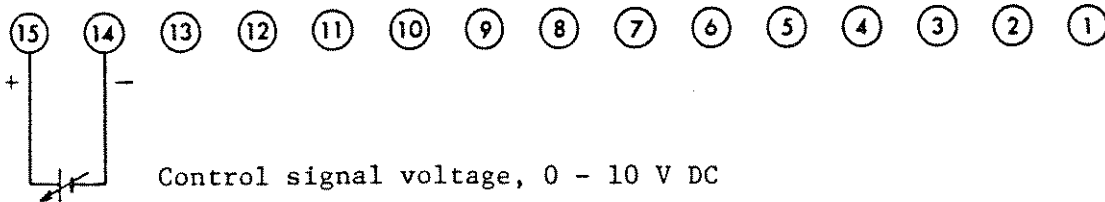


Figure 2-13-1

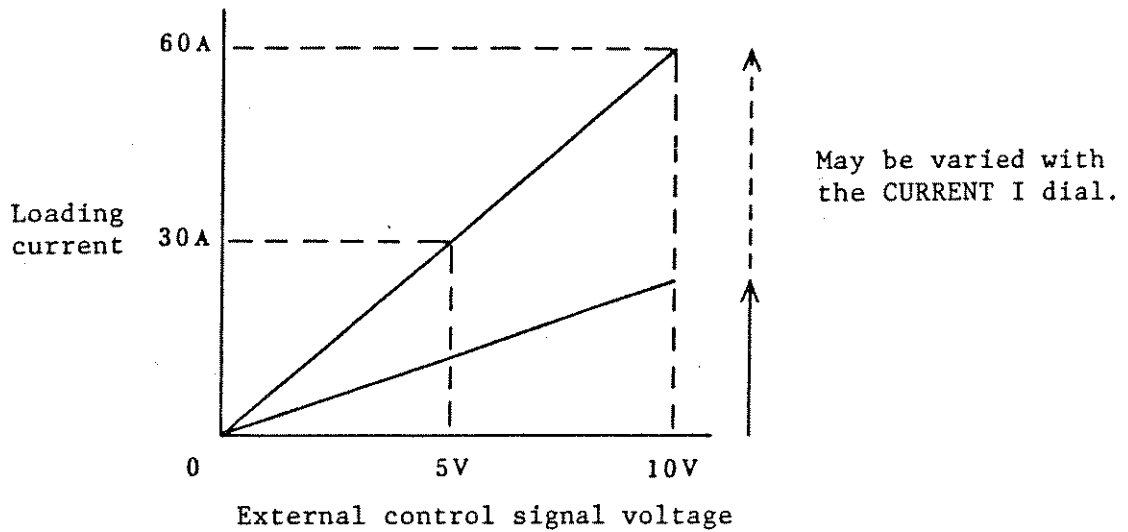


Figure 2-13-2

2-14. Remote Control of Load Switch by an External Terminal.

1. As shown in Fig. 2-14-1, connect the external load switch between terminals 9 and 10 on the terminal board. The switch capacity should be around 125 V AC at 1 A.

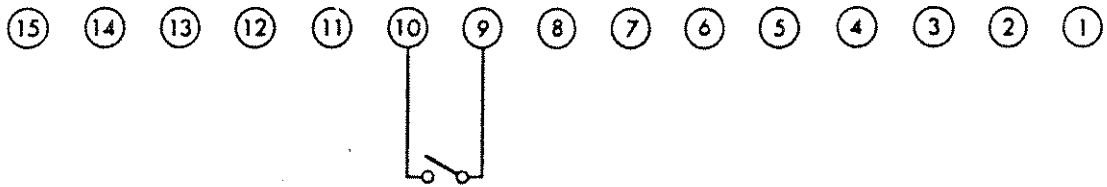


Figure 2-14-1

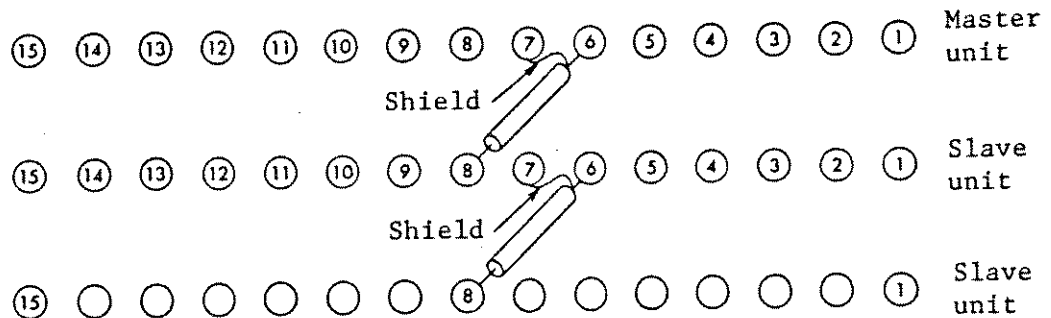
2. Turn off the LOAD switch on the panel. Now it is ready for switching load with the external load switch. (The LOAD switch on the panel and the switch connected between terminals 9 and 10 are in a parallel connection.)

2-15. One-control Parallel Operation.

This is a method to increase current capacity by connecting a number of units in parallel. These units operate under the control of one unit called a master unit.

- Turn off the power supply switch. Connect the terminals of each of the units as shown in Fig. 2-15-1. The length of the loading wire cables to each of the units should be approximately the same. Also, note if electrical potential of the negative input terminal of a unit is different from the others, the current generated by the unit will be imbalanced.

Rear Panel Control Terminal Board



Rear Panel Input Terminal Board

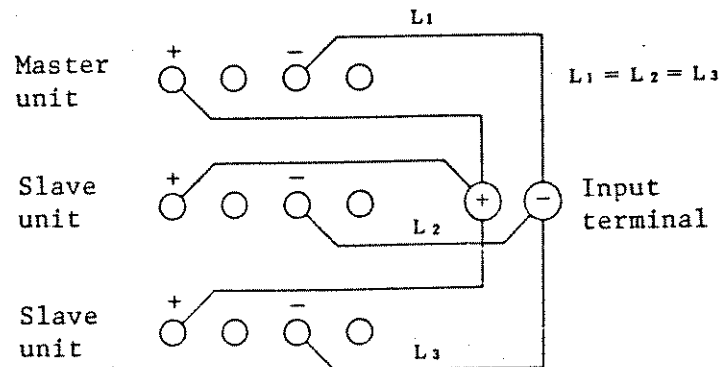


Figure 2-15-1

- Set both the C.C RANGE push buttons for each of the slave units, 60 A and 6 A, at "UP" position, as shown in Fig. 2-15-2.

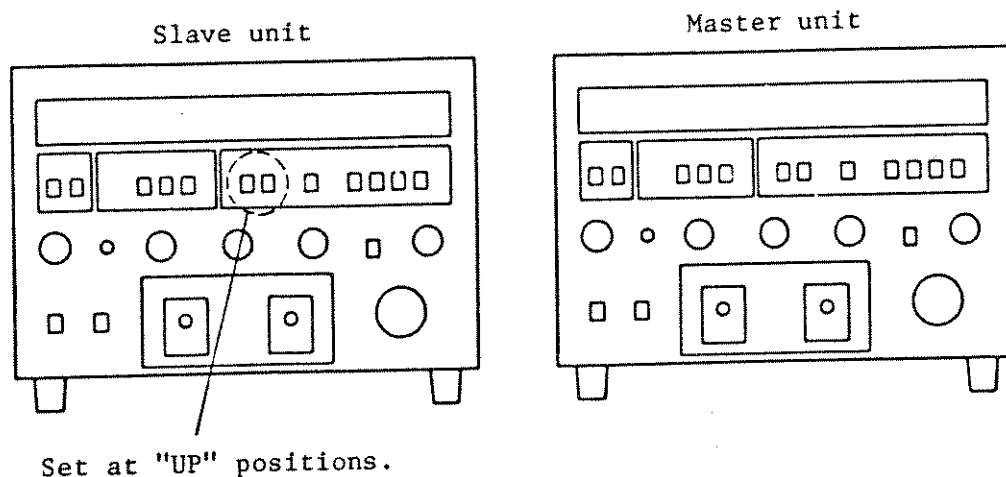


Figure 2-15-2

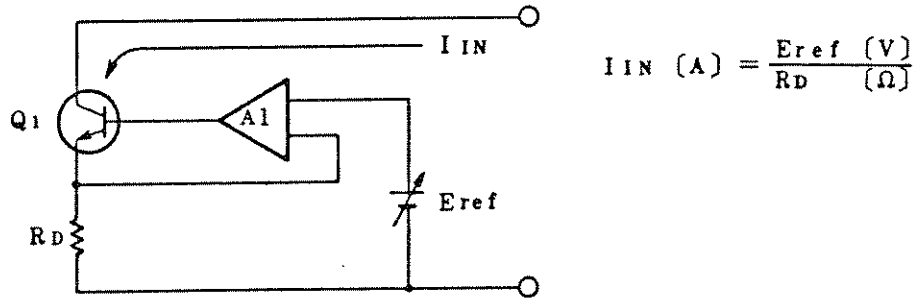
3. Before turning on the power supply switch, the POWER switch and the LOAD switch of each unit must be turned off. Switches other than the C.C RANGE switch, the POWER switch and the LOAD switch, of each slave unit, may be in any position.

4. When starting to operate, turn on the power supply switch of the master unit first, then, of the slave units. When the operation is finished, the power supply switch of the master unit must be turned off last, following those of the slave units. There may be a 10% difference among the currents generated from each unit, due to the error on the internally installed current detecting resistor unit and because of the resistance imbalance on the loading cable wirings.

SECTION 3. OPERATING PRINCIPLES

3-1. Constant Current Operation.

A negative feedback circuit using an error comparative amplifier is installed such that reference voltage E_{ref} and the voltage drop over the current detecting resistance have the same value, as shown in Fig. 3-1-1.



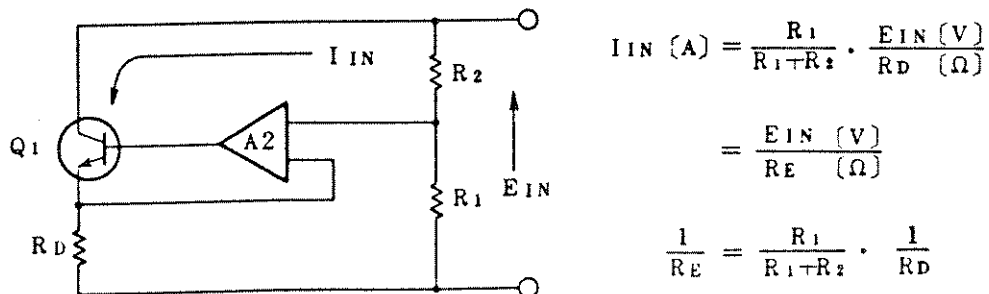
$$I_{IN} \text{ (A)} = \frac{E_{ref} \text{ (V)}}{R_D \text{ (\Omega)}}$$

Figure 3-1-1

Consequently, the loading current I_{in} is determined only by the reference voltage E_{ref} and the detecting resistance R_D ; and the circuit works as a constant current load which is independent of the loading voltage. The typical frequency characteristic of the output impedance is shown in Fig. 2-7-5. A decrease in the gains of the error amplifier (A_1) and the power transistor Q_1 causes a decrease in the output impedance at higher frequencies. A resistance value which is within the range of 10Ω or larger will decrease as frequency increases, due to the C_{ob} and the distributed capacity.

3-2. Constant Resistance Operation.

Negative feedback is applied by an error amplifier as shown in Fig. 3-1-2, to create current flow proportional to the input voltage.



$$I_{IN} \text{ (A)} = \frac{R_1}{R_1 + R_2} \cdot \frac{E_{IN} \text{ (V)}}{R_D \text{ (\Omega)}}$$

$$= \frac{E_{IN} \text{ (V)}}{R_E \text{ (\Omega)}}$$

$$\frac{1}{R_E} = \frac{R_1}{R_1 + R_2} \cdot \frac{1}{R_D}$$

Figure 3-1-2

Consequently, the apparent equivalent resistance value seen from the input side R_E will be determined only by the partial ratio $R_1/(R_1 + R_2)$ of the loading voltage and the current detecting resistor R_D . The frequency characteristics of the resistance are similar to that shown in Fig. 2-3-4. The resistance value, which is within the range of 1Ω or less, will increase as frequency increases because the gains of A_2 and Q_1 will decrease and the inductance due to the internal wiring will increase at a higher frequency range.

3-3. Block Diagram.

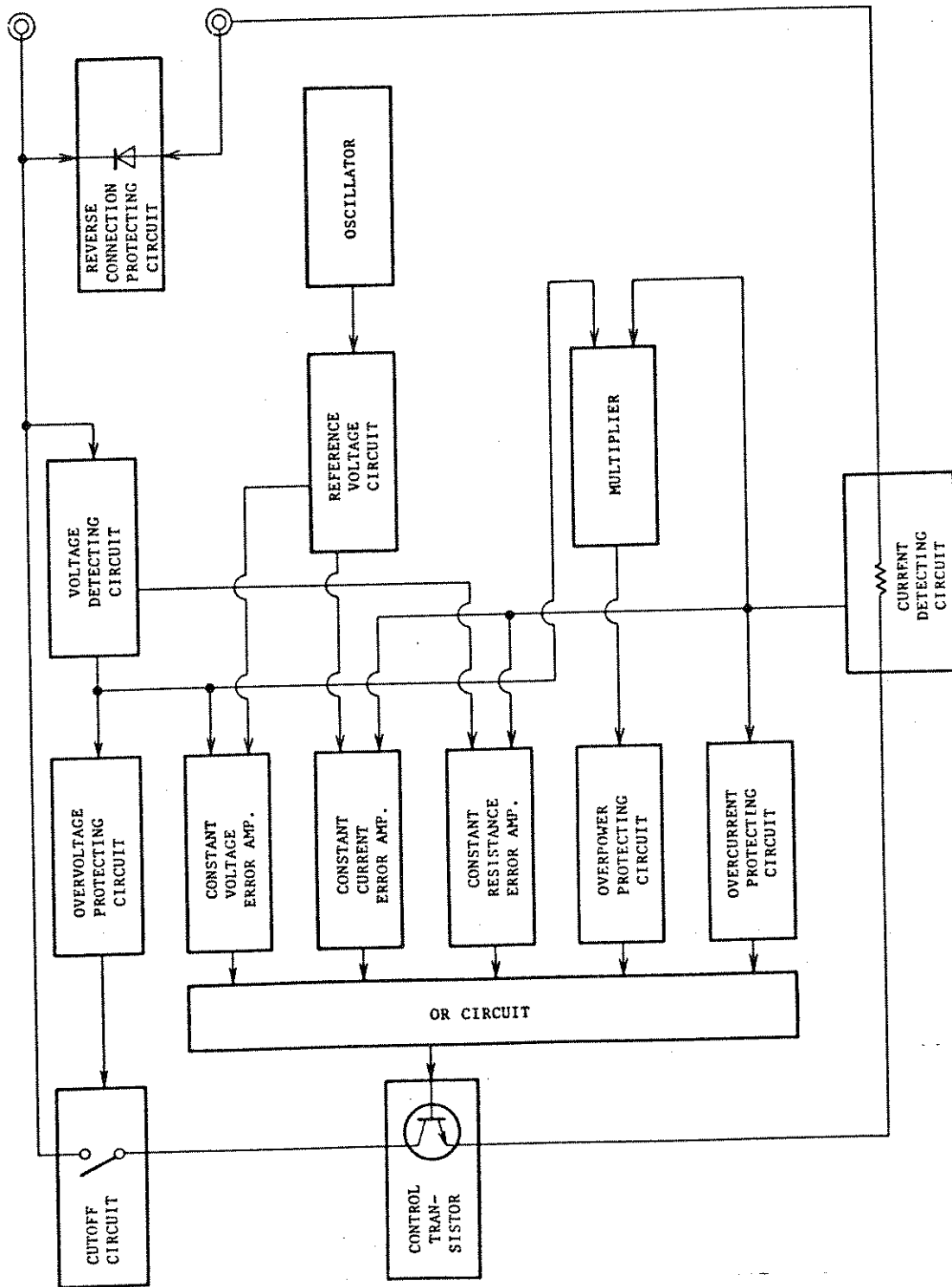


Figure 3-3-1 Block Diagram of PLZ "W" Series.

SECTION 4. MAINTENANCE

4-1. How to Open the Chassis Case.

Detach the screws and the bolts shown in Fig. 4-1-1.

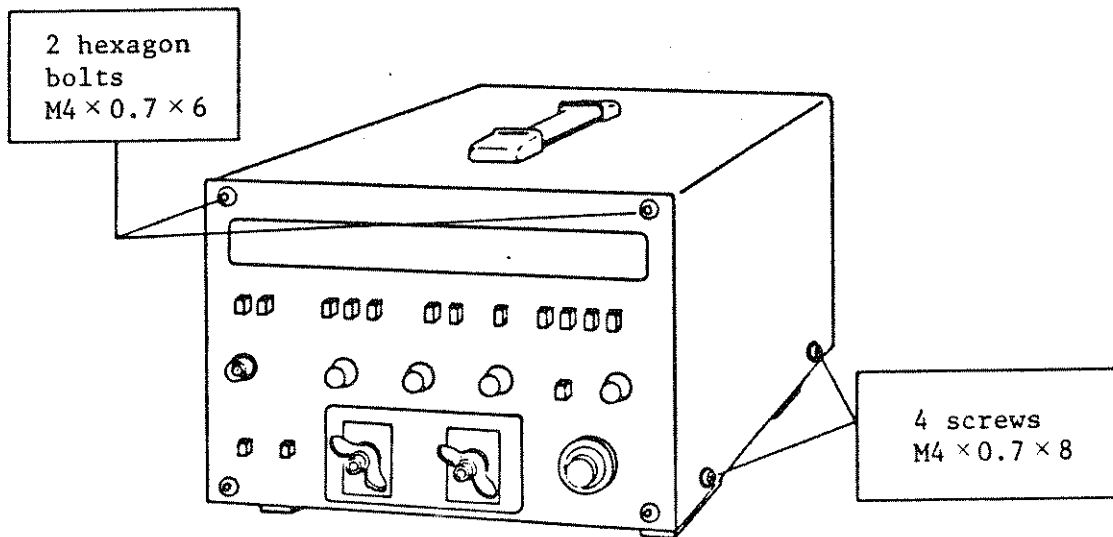


Figure 4-1-1

4-2. Inspections and Cleaning.

Routine inspections and cleaning are recommended for maintaining the optimal level of performance.

1. Cleaning.

Softly wipe the surface with a dampened cloth using a diluted neutral detergent or alcohol, and then wipe the surface again with a dry cloth. Do not use benzene or any kind of thinner. Use a compressor or vacuum cleaner to blow off dust accumulated in the ventilating channel of the case and inside the case.

2. Inspection of Power Supply Cable.

Check for breakage in the vinyl cover layer and for loose or cracked plugs.

4-3. Calibration.

1. Calibration of voltmeter and ammeter.

Fig. 4-3-1 shows the location of the adjustments for calibration of the voltmeters and ammeters.

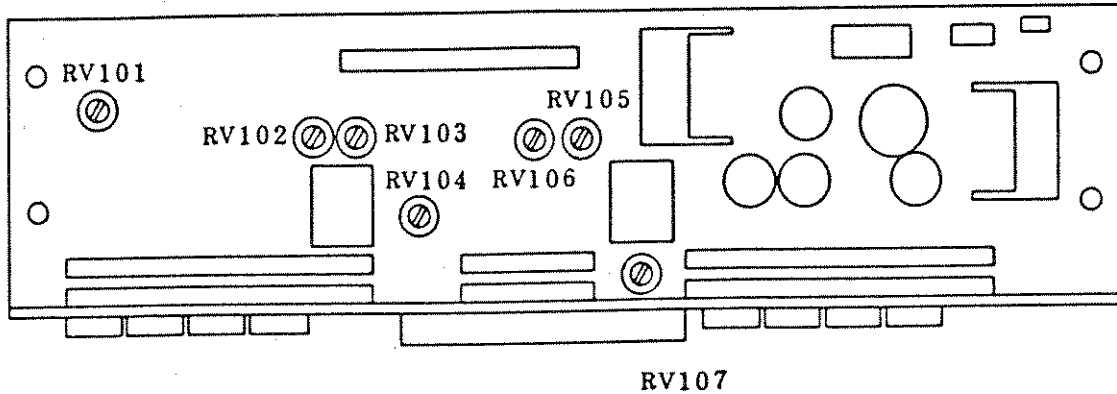


Figure 4-3-1

RV101	Ammeter Auto Range Adj
RV102	Ammeter Low Range Adj
RV103	Ammeter High Range Adj
RV104	Voltmeter Auto Range Adj
RV105	Voltmeter Low Range Adj
RV106	Voltmeter High Range Adj
RV107	Bar Graph Adj

Calibration work on voltmeters and ammeters should be performed after 30 minutes of warming up with loading voltage across the PLZ.

Instruments to be Used for Calibration.

1 digital multimeter (Kikusui Model 1504 or equivalent).

1 variable resistor for calibrating current (100 A, 100 mV, 0.5% or less).

1 DC constant voltage stabilizing power supply unit (output: 60 V or more, 60 A or more).

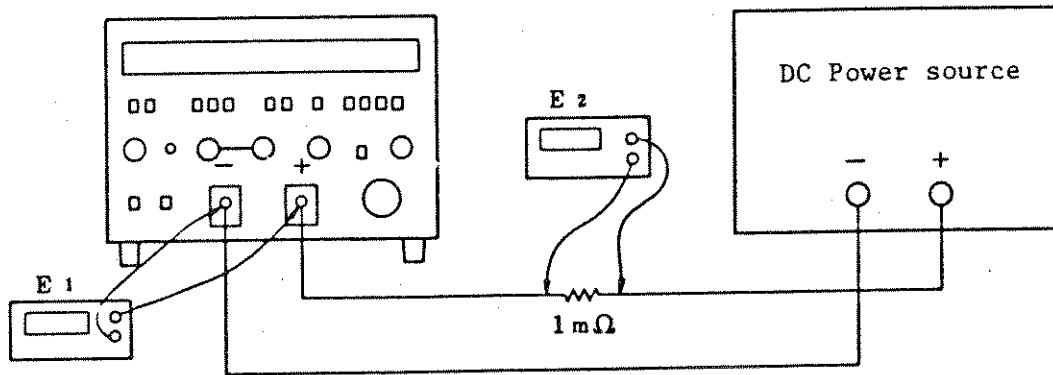


Figure 4-3-2

Connection to the electronic load should be made as shown in Fig. 4-3-2. Calibration of a voltmeters is made based on E_1 , and calibration of an ammeter is made based on E_2 which may be converted to a current value.

Calibration Procedures:

1) Calibration of Voltmeter

Step 1. Apply a voltage such that E_1 indicates 60.000 V. And then adjust RV106 so that the indication of the voltmeter becomes 60.0 V.

Step 2. Apply a voltage is such that E_1 indicates 19.000 V, and then adjust RV105 so that the indication becomes 19.00 V.

Step 3. Adjust RV104 so that the auto range function works in the current range from 19.90 V to 19.95 V.

2) Calibration of Ammeter:

Step 1. Adjust the current to make E_2 indicate 60.00 mV, and then adjust RV103 so that the indication is 60.0 A.

Step 2. Adjust the current to make E_2 indicate 6.00 mV and then adjust RV102 so that the indication is 6.00 A.

Step 3. Adjust RV101 so that the auto range function may work in the current range from 19.9 A to 19.95 A.

WARRANTY

Kikusui products are shipped to customers after strict tests and inspections are made to check if the performance of each unit satisfies the required specifications.

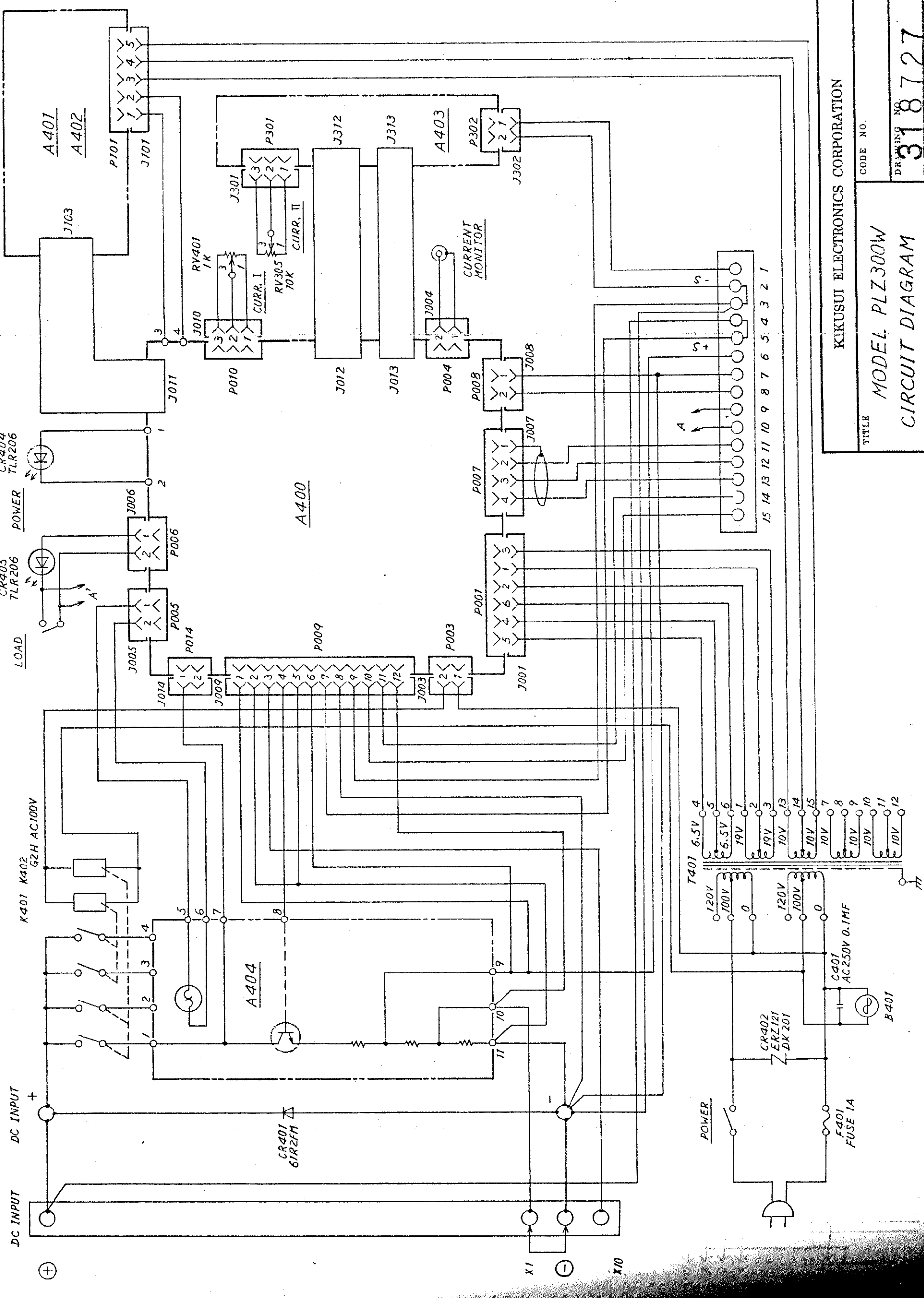
Free repair service is offered for problems occurring for one year after the purchase date on any Kikusui products. For parts like electronic tubes, mechanical choppers, etc., the free repair services are available for six months after the purchase. However, the following will be excluded from the free service, and a regular service fee will be charged:

1. Problems and damages caused by incorrect usage and/or careless handling, which are described in the operating manual.
2. Problems and damages caused by inappropriate remodeling, adjustments, and repairs.
3. Problems and damages caused by natural calamity, i.e., fire and other external factors.
4. This warranty is effective only within the United States and its territories.

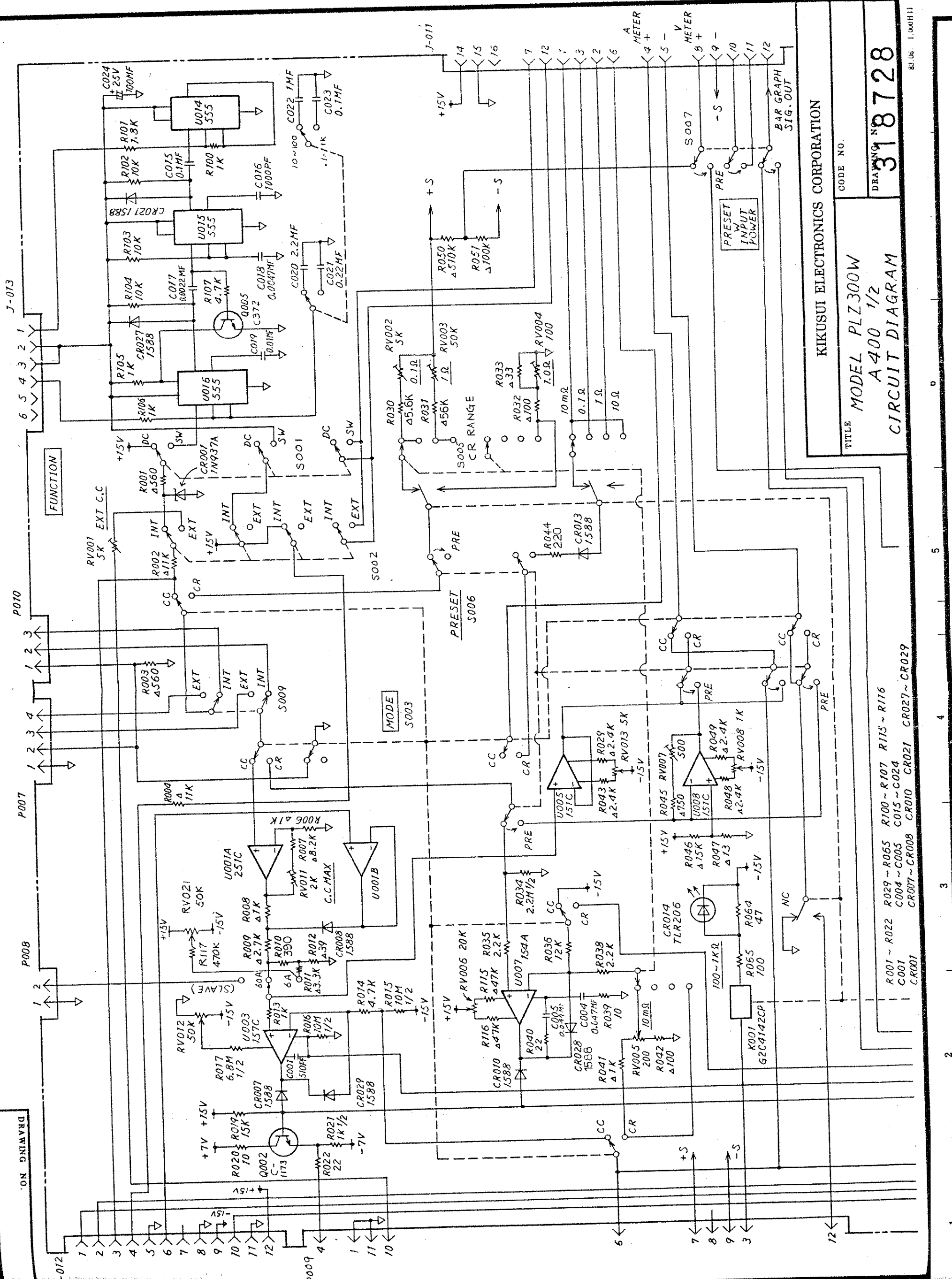
Before shipping for repair, inspection and/or adjustments, recheck the problems by referring to the operating manual and/or consulting Kikusui or its agents.

The list of Kikusui's agents to be contacted for problems:

ON DRAWING

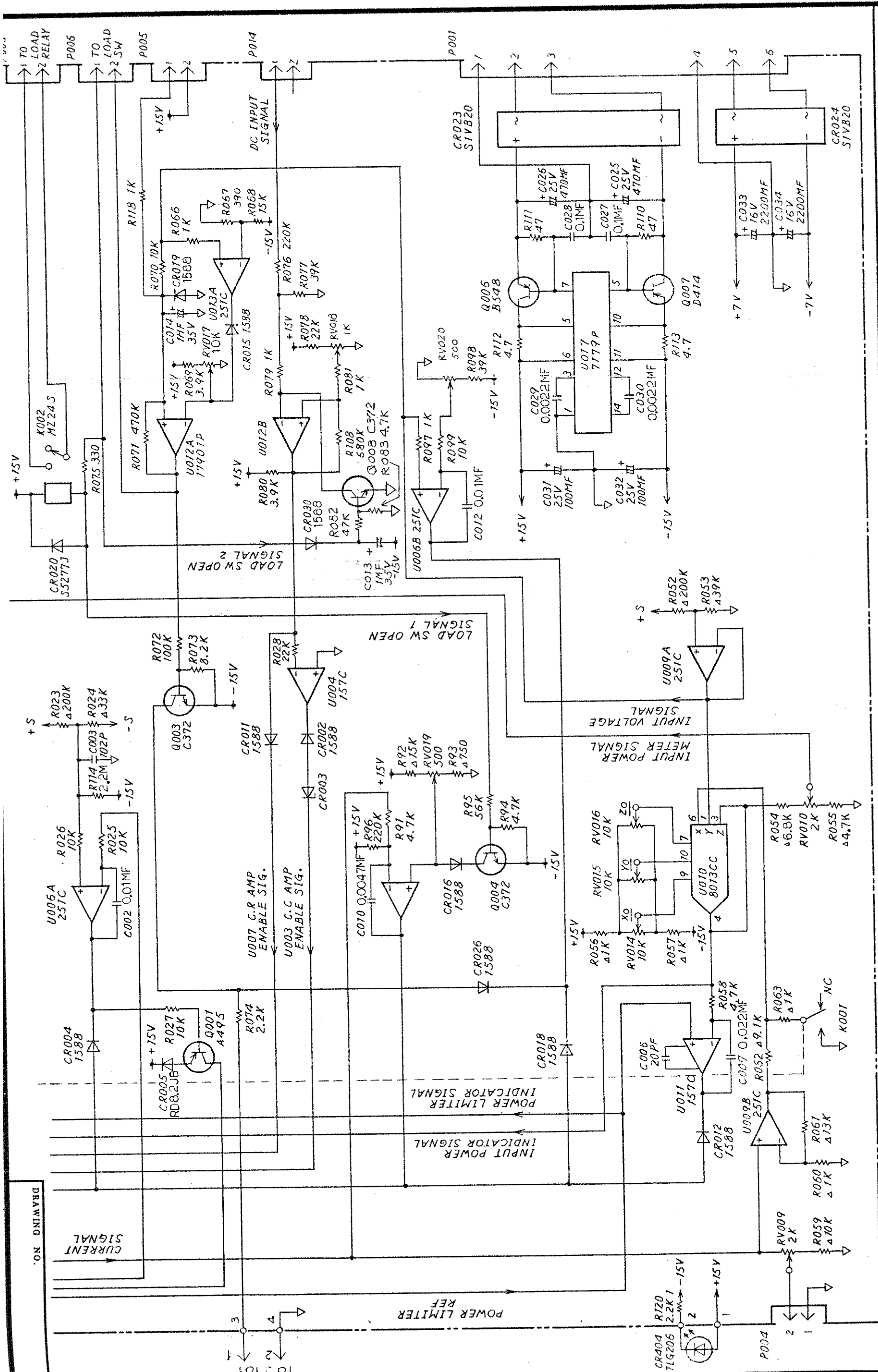


KIKUSUI ELECTRONICS CORPORATION
 TITLE MODEL PLZ300W
 CIRCUIT DIAGRAM
 CODE NO. 318727



KIKUSUI ELECTRONICS CORPORATION
 TITLE MODEL PLZ300W
 A400 1/2
 CIRCUIT DIAGRAM
 CODE NO. 318728

R001 ~ R022 R029 ~ R065 R100 ~ R107 R115 ~ R116
 C001 ~ C005 C015 ~ C024
 CR001 ~ CR008 CR010 CR021 CR027 ~ CR029



KIKUSUI ELECTRONICS CORPORATION
 TITLE MODEL PLZ300W A400 2/2
 CIRCUIT DIAGRAM
 CODE NO.
 DRAWING NO. 318729

CONTENTS	DATE	APP. BY	REV. BY
CONTENTS	DATE	APP. BY	REV. BY

- R023 ~ R028 C002 ~ C003
- R066 ~ R099 C006 ~ C007
- R110 ~ R113 C010 ~ C014
- R114 C025 ~ C034
- R118
- R120
- Q001
- Q003 ~ Q007
- Q002 ~ CR005
- CR011 ~ CR020
- CR023 ~ CR025

DRAWING NO.

CONTENTS

APP. BY REV. BY

DATE

CONTENTS

APP. BY REV. BY

DATE

59.5.25

1.7E

KIKUSUI ELECTRONICS CORPORATION

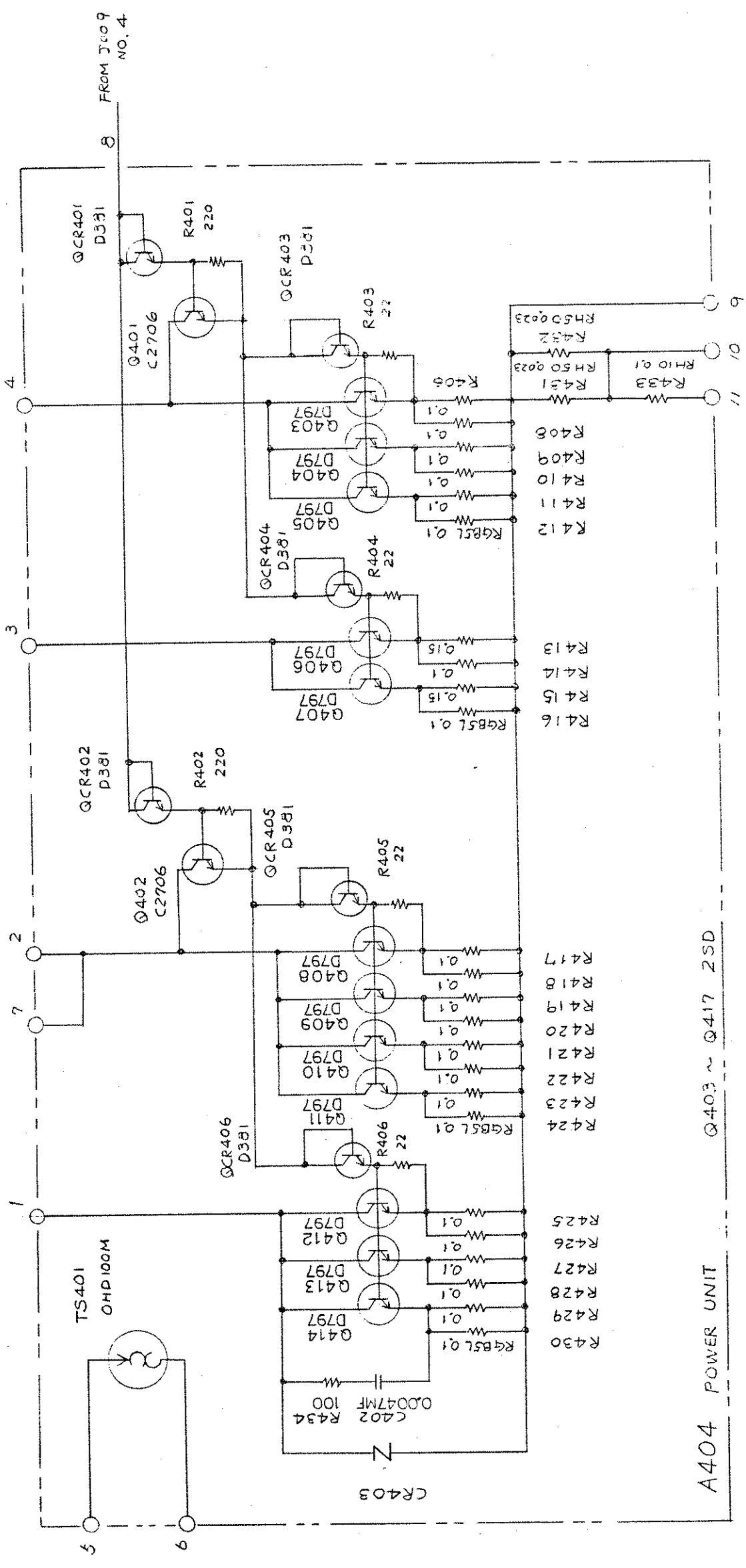
MODEL PLZ300W

CIRCUIT DIAGRAM

CODE NO.

DRAWING NO. 318730

83.06. 1.000H11



1 2 3 4 5 6 7 8

CONTENTS

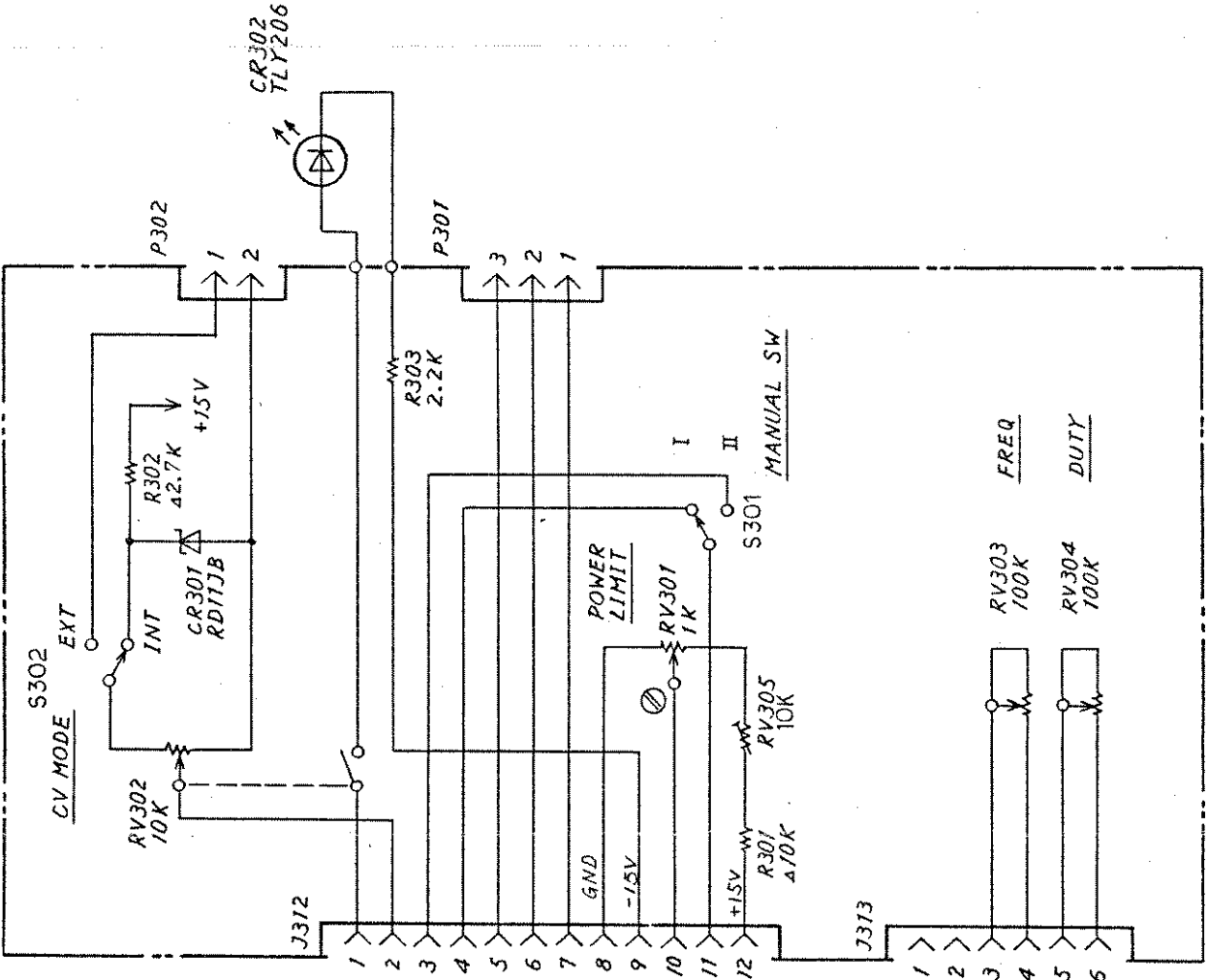
APP. BY REV. BY

DATE

CONTENTS

APP. BY REV. BY

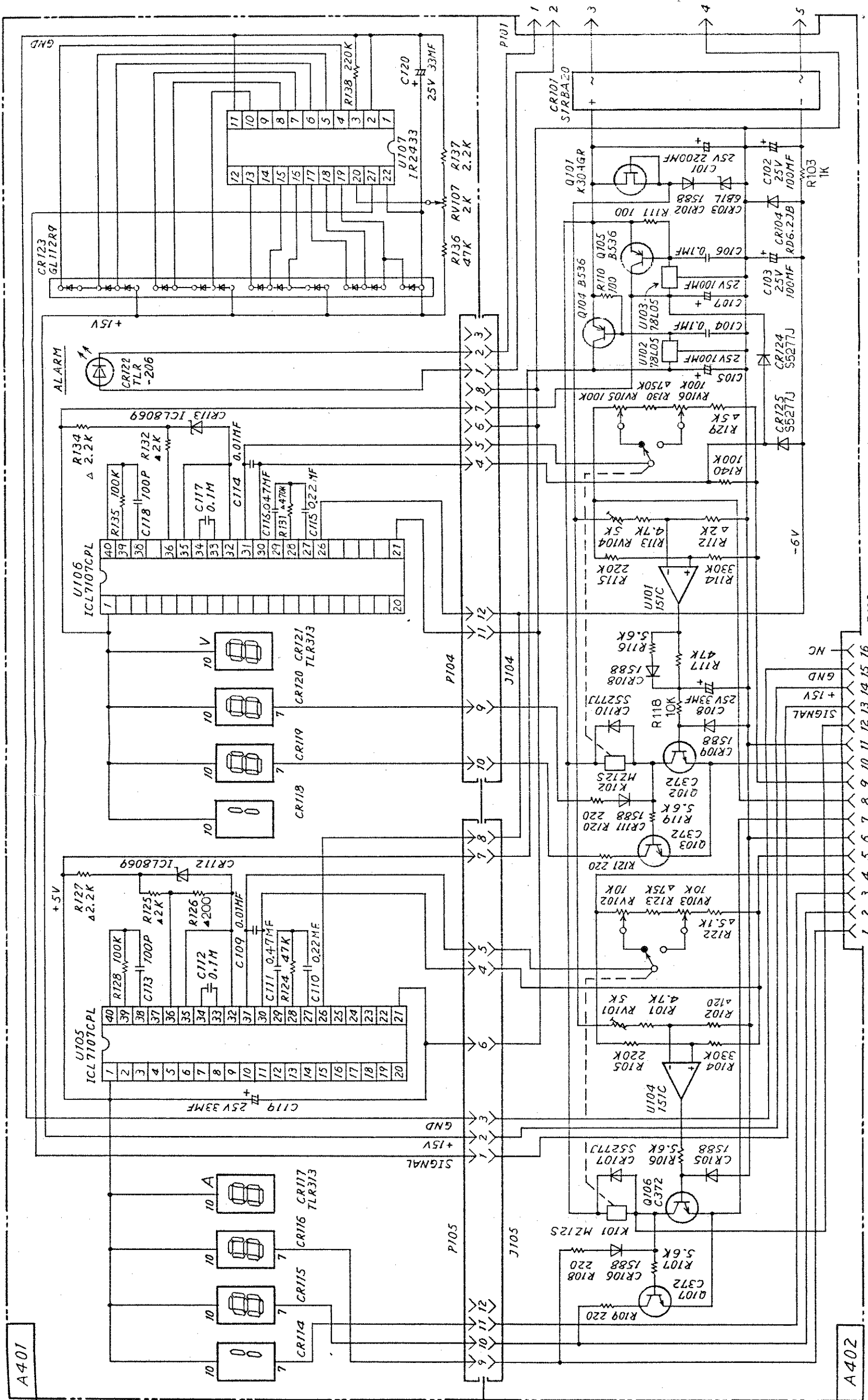
DATE



KIKUSUI ELECTRONICS CORPORATION	
TITLE	MODEL PLZ300W A403 CIRCUIT DIAGRAM
CODE NO.	
DRAWING NO.	318733

A401

A402



KIKUSUI ELECTRONICS CORPORATION

MODEL PLZ 300W
A401, A402
CIRCUIT DIAGRAM

CODE NO.
DRAWING NO. 318731

R101 ~ R138 C101 ~ C120 Q101 ~ Q107
RV101 ~ RV107 CR101 ~ CR126

DATE	APP. BY	REV. BY	DATE	APP. BY	REV. BY	DATE	APP. BY	REV. BY
9.5.21								