

General Description

The Model 55SH Series II provides the Shure Iconic UNIDYNE design coupled with modern acoustic components to meet today's performance standards. This microphone is excellent for vocal pickup with its characteristic Shure presence peak.

The 55SH Series II has a cardioid (unidirectional) polar pickup pattern that minimizes sound pickup from the rear of the microphone. This allows the Model 55SH Series II to be used in close proximity to loudspeakers without creating feedback problems, and it can perform under adverse acoustic conditions where omnidirectional microphones cannot.

The 55SH Series II has a low-impedance balanced output designed for connection to microphone inputs rated at 75 to 300 ohms. The microphone features a cartridge shock mount to reduce stand noise, an On/Off switch, and an attached, self-tensioning, 5/8"-27 thread swivel mount.

This microphone is ideal for public address or theater-stage sound systems, as well as for broadcasting, recording, and other sound applications where a stand-mounted microphone with a classic look is desirable.

Features

- Uniform cardioid pick-up pattern for maximum gain before feedback and excellent rejection of off-axis sound
- Tailored frequency response specifically shaped for speech, vocals and instrumental music
- Chrome die-cast metal construction and mechanical design resists wear and abuse
- Classic appearance, modern performance
- Shock mounted cartridge minimizes stand transmitted noise, ensures quiet operation
- Self-tensioning swivel mount permits tilting through 45 degrees forward and 80 degrees backward
- On/Off switch
- Shure quality, ruggedness and reliability

Specifications

Type

Dynamic (moving coil)

Frequency Response

50 to 15,000 Hz

Polar Pattern

Cardioid

Output Impedance

EIA rated at 150 Ω (270 Ω actual)

Sensitivity

at 1 kHz, open circuit voltage

-58.0 dBV/Pa[1]

Polarity

Positive pressure on diaphragm produces positive voltage on pin 2 with respect to pin 3

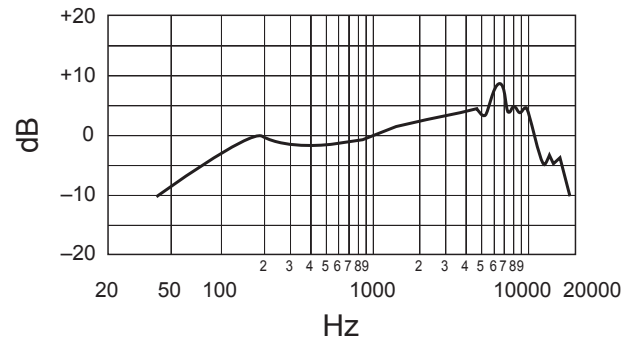
Weight

0.624 kg (1.37 lb)

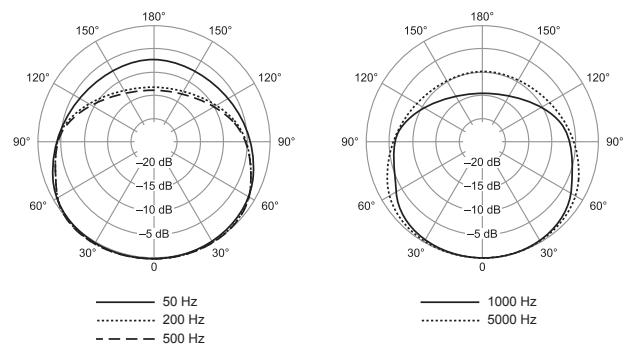
Housing

Chrome-plated die casting

0

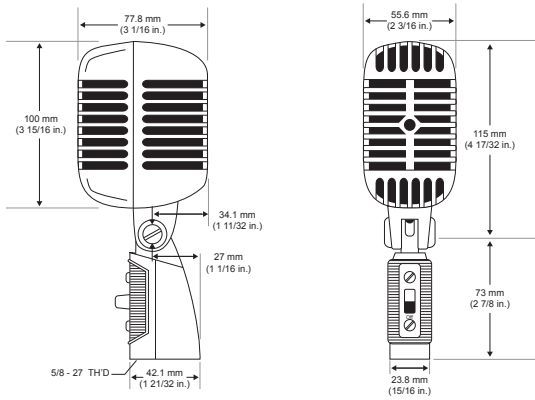


Typical Frequency Response

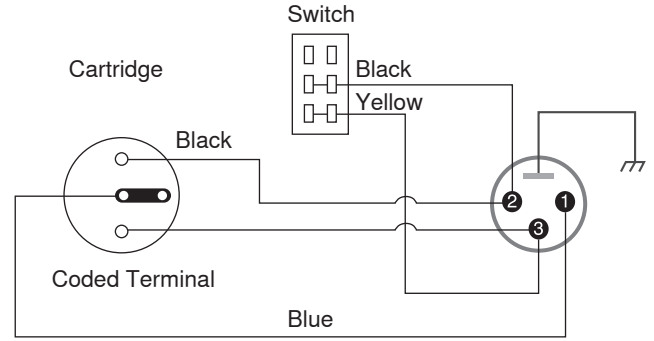


Typical Polar Patterns

⁰ [1] 1 Pa = 94 dB SPL



Overall Dimensions



Accessories

Optional Accessories

7.6 m (25 ft.) Cable (XLR-XLR)	C25J
--------------------------------	------

Replacement Parts

Cartridge for 55SH Series II	R115
Cartridge for Super 55	R115S

Certifications

This product meets the Essential Requirements of all relevant European directives and is eligible for CE marking.

The CE Declaration of Conformity can be obtained from:
www.shure.com/europe/compliance

Authorized European representative:
 Shure Europe GmbH
 Headquarters Europe, Middle East & Africa
 Department: EMEA Approval
 Jakob-Dieffenbacher-Str. 12
 75031 Eppingen, Germany
 Phone: +49-7262-92 49 0
 Fax: +49-7262-92 49 11 4
 Email: info@shure.de