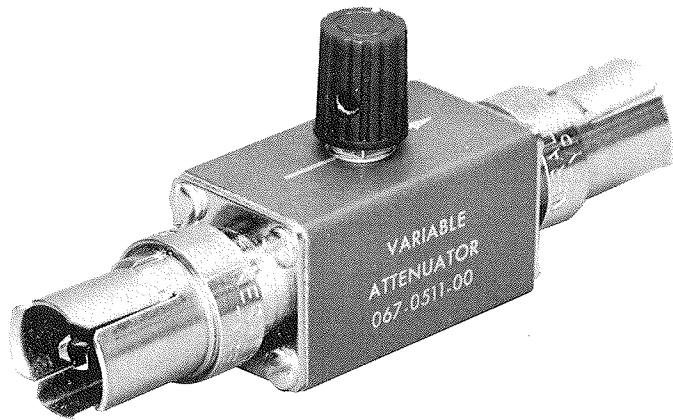
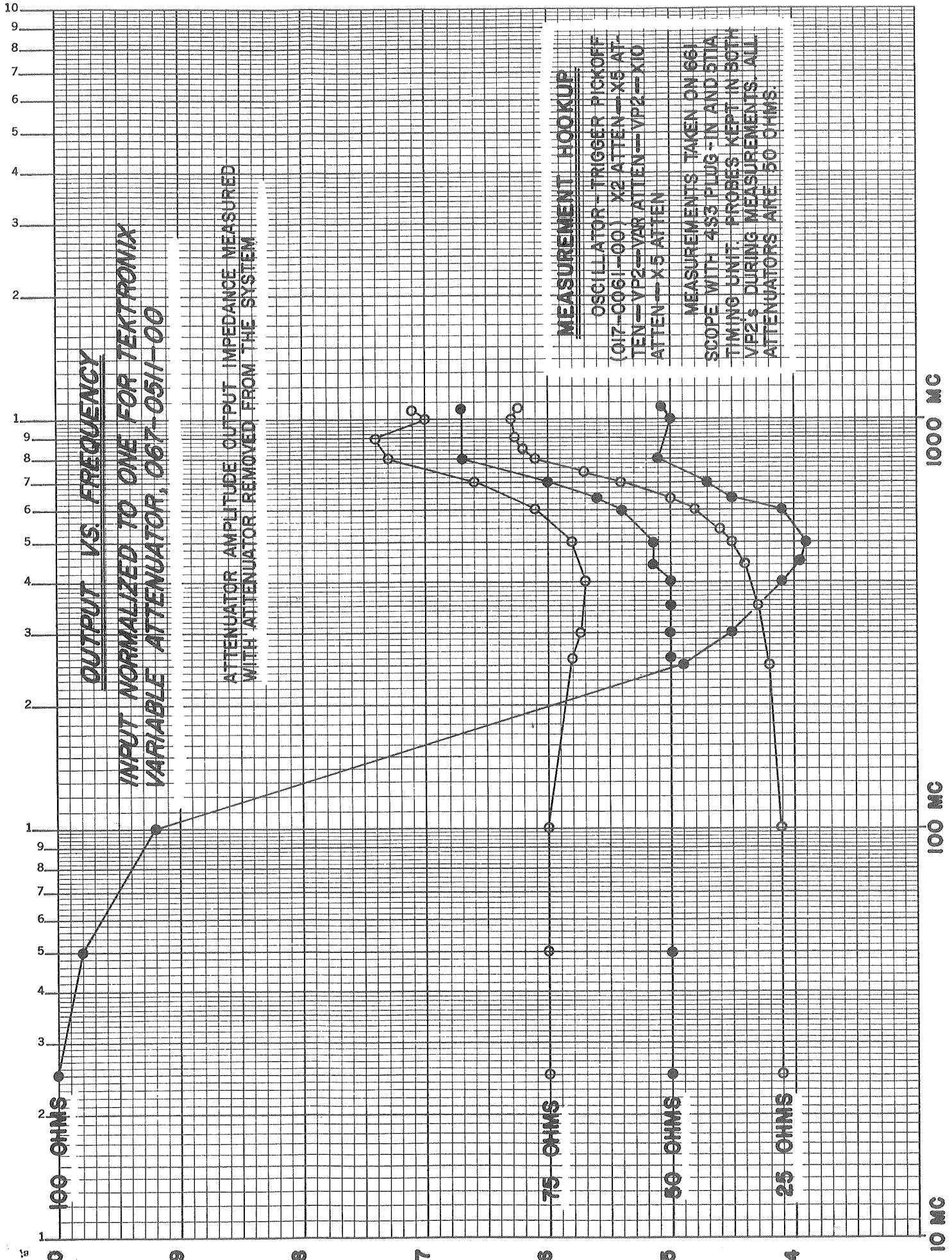


067-0511-00 CALIBRATION FIXTURE

Variable Attenuator



The 067-0511-00 is a variable attenuator which has the end terminals of a 100 ohm potentiometer connected from input to ground and the potentiometer divider arm connected to the attenuator output. The attenuator is not matched to any particular impedance system. Unit will attenuate a 1 ns risetime pulse in a 50 ohm system with negligible distortion. The accompanying graph shows attenuator characteristics in a 50 ohm system.



MECHANICAL PARTS LIST

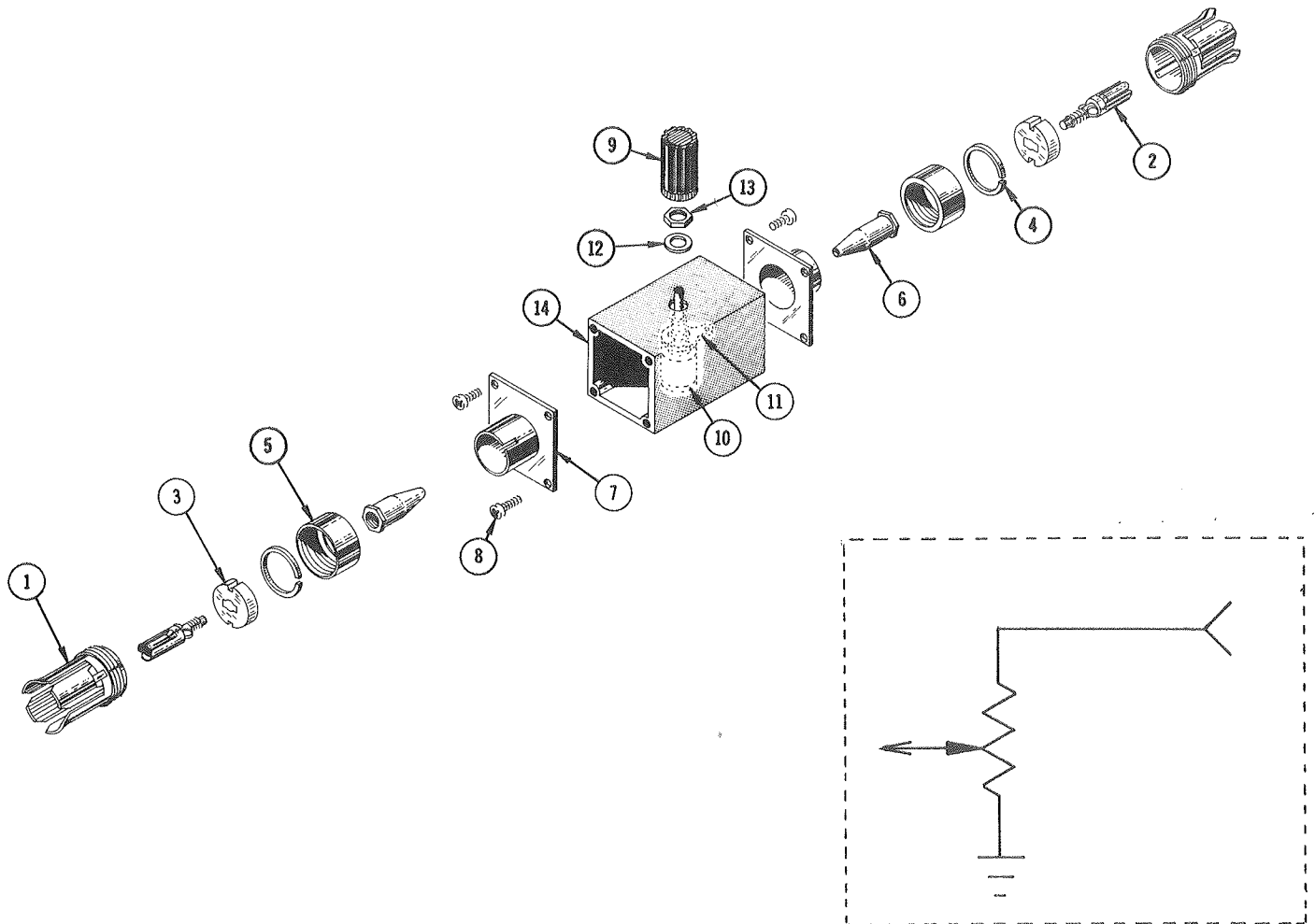


Fig. & Index No.	Tektronix Part No.	Serial/Model No. Eff	No. Disc	Q					Description
				Y	1	2	3	4	
1	132-0002-00								2 SLEEVE, outer conductor
2	132-0029-00								2 CONDUCTOR, inner
3	132-0028-00								2 INSULATOR, plastic
4	132-0007-00								2 RING, snap
5	132-0001-00								2 NUT, coupling
6	132-0027-00								2 TRANSISTION, inner